

Milwaukee®

Nothing but **HEAVY DUTY**®.



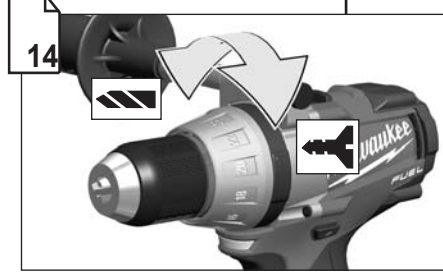
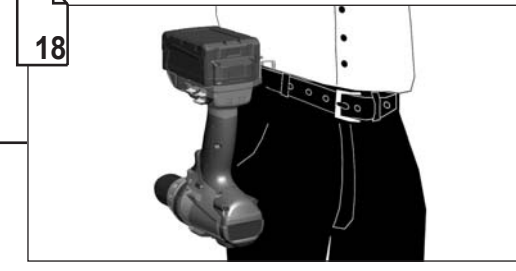
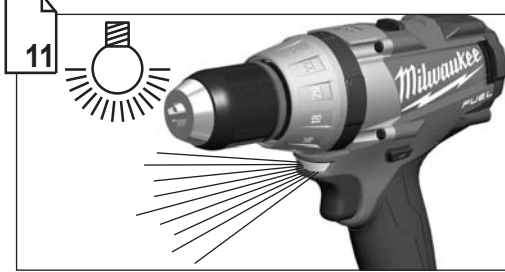
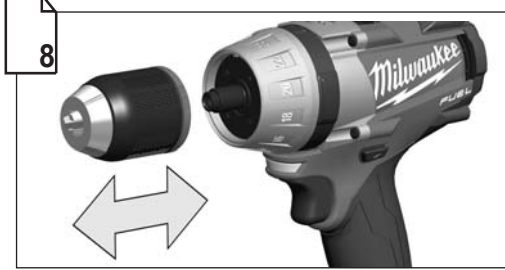
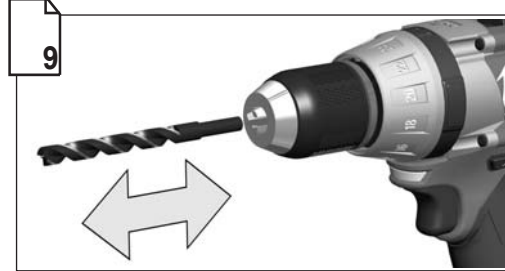
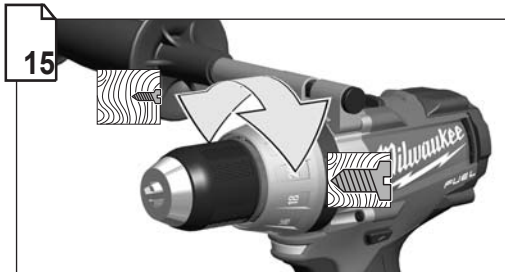
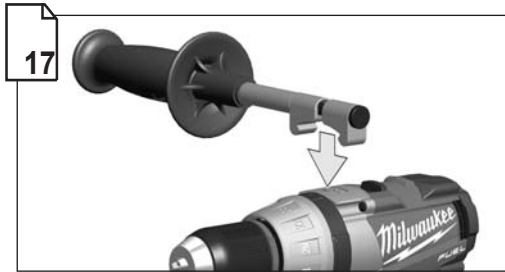
M18 CDD

Original instructions
Originalbetriebsanleitung
Notice originale
Istruzioni originali
Manual original
Oorspronkelijke
gebruiksaanwijzing
Original brugsanvisning
Original bruksanvisning
Bruksanvisning i original
Alkuperäiset ohjeet

Πρωτότυπο οδηγιών χρήσης
Orijinal işletme talimatı
Původním návodem k používání
Pôvodný návod na použitie
Instrukcja oryginalna
Eredeti használati utasítás
Izvirna navodila
Originalne pogonske upute
Instrukcijām oriģinālvalodā
Originali instrukcija

Algupärane kasutusjuhend
Оригинальное руководство по
эксплуатации
Оригинално ръководство за
експлоатация
Instrucțiuni de folosire originale
Оригинален прирачник за
работа
原始的指南

Technical Data, safety instructions, Specified Conditions of Use, EC-Declaration of Conformity, Batteries, Characteristics, Maintenance, Symbols	Please read and save these instructions!	ENGLISH	20
Technische Daten, Sicherheitshinweise, Bestimmungsgemäße Verwendung, CE-Konformitätserklärung, Akkus, Merkmale, Wartung, Symbole	Bitte lesen und aufbewahren!	DEUTSCH	22
Caractéristiques techniques, Instructions de sécurité, Utilisation conforme aux prescriptions, Déclaration CE de Conformité, Accus, Description, Entretien, Symboles	Prière de lire et de conserver!	FRANÇAIS	24
Dati tecnici, Norme di sicurezza, Utilizzo conforme, Dichiarazione di Conformità CE, Batterie, Breve Indicazione, Manutenzione, Simboli	Si prega di leggere le istruzioni e di conservarle!	ITALIANO	26
Datos técnicos, Instrucciones de seguridad, Aplicación de acuerdo a la finalidad, Declaración de Conformidad CE, Batería, Señalización, Mantenimiento, Símbolos	Lea y conserve estas instrucciones por favor!	ESPAÑOL	28
Características técnicas, Instruções de segurança, Utilização autorizada, Declaração de Conformidade CE, Acumulador, Características, Manutenção, Símbolo	Por favor leia e conserve em seu poder!	PORTUGUES	30
Technische gegevens, Veiligheidsadviezen, Voorgeschreven gebruik van het systeem, EC-Konformiteitsverklaring, Akku, Kenmerken, Onderhoud, Symbolen	Lees en let goed op deze adviezen!	NEDERLANDS	32
Tekniske data, Sikkerhedshenvisninger, Tiltænkt formål, CE-Konformitetserklæring, Batteri, Beskrivelse, Vedligeholdelse, Symboler	Vær venlig at læse og opbevare!	DANSK	34
Tekniske data, Spesielle sikkerhedshenvisninger, Formålsmessig bruk, CE-Samsvarserklæring, Batterier, Kjennetegn, Vedlikehold, Symboler	Vennligst les og oppbevar!	NORSK	36
Tekniska data, Säkerhetsutrustning, Använd maskinen Enligt anvisningarna, CE-Försäkran, Batterier, Kännemärke, Skötsel, Symboler	Var god läs och tag tillvara dessa instruktioner!	SVENSKA	38
Tekniset arvot, Turvallisuusohjeet, Tarkoituksenmukainen käyttö, Todistus CE-standardinmukaisuudesta, Akku, Ominaisuudet, Huolto, Symbolit	Lue ja säilytä!	SUOMI	40
Τεχνικά στοιχεία, Ειδικά υποδείξεις ασφαλείας, Χρήση σύμφωνα με το σκοπο προορισμού, Δήλωση πιστοποίησης εκ, Μπαταρίες, Χαρακτηριστικά, Συντήρηση, Σύμβολα	Παρακαλώ διαβάστε τις και φυλάξτε τις!	ΕΛΛΗΝΙΚΑ	42
Teknik veriler, Güvenliğinizi için talimatlar, Kullanım, CE uygunluk beyanince, Akü, Özellikler, Bakım, Semboller	Lütfen okuyun ve saklayın	TÜRKÇE	44
Technická data, Speciální bezpečnostní upozornění, Oblast využití, Ce-prohlášení o shodě, Akumulátory, Upozornění, Údržba, Symboly	Po přečtení uschovejte	ČESKY	46
Technické údaje, Speciálne bezpečnostné pokyny, Použitie podľa predpisov, CE-Vyhlasenie konformity, Akumulátory, Znaký, Údržba, Symboly	Prosím prečítat a uschovať!	SLOVENSKY	48
Dane techniczne, Specjalne zalecenia dotyczace bezpieczenstwa, Uzytkowanie zgodnie z przeznaczeniem, Świadectwo zgodności ce, Baterie akumulatorowe, Właściwość, Gwarancja, Symbole	Prosimy o uważne przeczytanie i przestrzeżenie zaleceń zamie szczonych w tej instrukcji.	POLSKI	50
Műszaki adatok, Különleges biztonsági tudnivalók, Rendeltetésszerű használat, Ce-azonossági nyilatkozat, Akkuk, Jellegzetességek, Karbantartás, Szimbólumok	Olvassa el és őrizze meg	MAGYAR	52
Tehnični podatki, Specialni varnostni napotki, Uporaba v skladu z namembnostjo, Ce-izjava o konformnosti, Akumulatorji, Značilnosti, Vzdrževanje, Simboli	Prosimo preberite in shranite!	SLOVENSKO	54
Tehnički podaci, Specijalne sigurnosne upute, Propisna upotreba, Ce-izjava konformnosti, Baterije, Obilježja, Održavanje, Simboli	Molimo pročitati i sačuvati	HRVATSKI	56
Tehniskie dati, Speciālie drošības noteikumi, Noteikumiem atbilstošs izmantojums, Atbilstība CE normām, Akumulātori, Pazīmes, Apkope, Simboli	Pielikums lietošanas pamācībai	LATVISKI	58
Techniniai duomenys, Ypatingos saugumo nuorodos, Naudojimas pagal paskirtį, CE Atitikties pareiškimas, Akumulatoriai, Požymiai, Techninis aptarnavimas, Simboliai	Prašome perskaityti ir neišmesti!	LIETUVIŠKAI	60
Tehnilised andmed, Spetsiaalsed turvajuhised, Kasutamise vastavalt otstarbele, EÜ Vastavusavaldus, Akud, Tunnused, Hooldus, Sümbolid	Palun lugege läbi ja hoidke alal!	EESTI	62
Технические данные, Рекомендации по технике безопасности, Использование, Аккумулятор, Характеристики, Обслуживание, Символы	Пожалуйста, прочтите и сохраните настоящую инструкцию	РУССКИЙ	64
Технически данни, Специални указания за безопасност, Използване по предназначение, CE-Декларация за съответствие, Акмулатори, Характеристики, Поддръжка, Символи	Моля прочетете и запазете!	БЪЛГАРСКИ	66
Date tehnice, Instrucțiuni de securitate, Condiții de utilizare specificate, Declarație de conformitate, Alimentare de la rețea, Caracteristici, Intreținere, Simboluri	Va rugăm citiți și păstrați aceste instrucțiuni	ROMÂNIA	68
Технички Податоци, Упатство За Употреба, Специфицирани Услови На Употреба, Еу-декларација За Сообразност, Батерии, Карактеристики, Одржување, Символи	Ве молиме прочитајте го и чувајте го ова упатство!	МАКЕДОНСКИ	70
技术数据, 特殊安全指示, 正确地使用机器, 欧洲安全规定说明, 蓄电池, 特点, 维修, 符号	请仔细阅读并妥善保存!	中文	72
	يرجى قراءة هذه التعليمات وحفظها في مكان آمن!	عربي	75



Remove the battery pack before starting any work on the machine.
 Vor allen Arbeiten an der Maschine den Wechselakku herausnehmen.
 Avant tous travaux sur la machine retirer l'acco interchangeable.
 Prima di iniziare togliere la batteria dalla macchina.
 Retire la batería antes de comenzar cualquier trabajo en la máquina.
 Antes de efectuar cualquier intervención en la máquina retirar o bloco acumulador.
 Voor alle werkzaamheden aan de machine de accu verwijderen.
 Ved arbejde inden i maskinen, bør batteriet tages ud.
 Ta ut vekselbatteriet før du arbeider på maskinen.
 Drag ur batteripaket innan arbete utföres på maskinen.
 Ota akku pois ennen kaikkia koneeseen tehtäviä toimenpiteitä.
 Πριν από κάθε εργασία στη μηχανή αφαιρέστε την ανταλλακτική μπαταρία.
 Aletin kendinde bir çalışma yapmadan önce kartuş aküyü çıkarm.
 Před zahájením veškerých prací na vrtacím šroubováků vjmout výměnný akumulátor.

Pred každou pracou na stroji výmenný akumulátor vyňať.
 Przed przystąpieniem do jakichkolwiek prac na elektronarzędziu należy wyjąć wkładkę akumulatorową.
 Karbantartás, javítás, tisztítás, stb. előtt az akkumulátort ki kell venni a készülékből.
 Pred deli na stroju izvelite izmenljivi akumulator.
 Prije svih radova na stroju izvaditi bateriju za zamjenu.
 Pirms mašīnai veikt jebkāda veida apkopes darbus, ir jāizņem ārā akumulātorus.
 Prieš atlikdami bet kokius darbus įrenginyje, išimkite keičiamą akumuliatorių.
 Enne kõiki töid masina kallal võtke vahetatav akku välja.
 Выньте аккумулятор из машины перед проведением с ней каких-либо манипуляций.
 Преди започване на каквото и да е работи по машината извадете акумулатора.
 Înderăntaj acumulatorul înainte de începerea lucrului pe mașină.
 Отстранете ја батеријата пред да започнете да ја користите машината.
 在机器上进行任何修工作之前，先拿出蓄电池。
 قبل بترالة حزمة البطارية قبل البدء في أي أعمال على الجهاز.



Remove the battery pack before starting any work on the machine.
 Vor allen Arbeiten an der Maschine den Wechselakku herausnehmen
 Avant tous travaux sur la machine retirer l'accu interchangeable.

Prima di iniziare togliere la batteria dalla macchina.
 Retire la batería antes de comenzar cualquier trabajo en la máquina.
 Antes de efectuar cualquier intervención na máquina retirar o bloco acumulador.
 Voor alle werkzaamheden aan de machine de akku verwijderen.
 Ved arbejde inden i maskinen, bør batteriet tages ud.
 Ta ut vekselbatteriet før du arbeider på maskinen
 Drag ur batteripaket innan arbete utföres på maskinen.
 Ota akku pois ennen kaikkia koneeseen tehtäviä toimenpiteitä.
 Πριν από κάθε εργασία στη μηχανή αφαιρέστε την ανταλλακτική μπαταρία.

Aletin kendingde bir çalışma yapmadan önce kartuş aküyü çıkarın.

Před zahájením veškerých prací na vrtačím šroubováku vyjmout výměnný akumulátor.

Pred každou prácou na stroji výmenný akumulátor vytiahnuť.

Przed przystąpieniem do jakichkolwiek prac na elektronarzędziu należy wyjąć wkładkę akumulatrową.

Karbantartás, javítás, tisztítás, stb. előtt az akkumulátort ki kell venni a készülékből.

Pred deli na stroju izvlecite izmenljivi akumulator.

Prije svih radova na stroju izvaditi bateriju za zamjenu.

Pirms mašīnai veikt jebkāda veida apkopes darbus, ir jāizņem arī akumulātors.

Prieš atikdami bet kokius darbus įrenginyje, išimkite keičiamą akumuliatorių.

Enne kõiki töid masina kallal võtke vahetatav aku välja.

Виньте аккумулятор из машины перед проведением с ней каких-либо манипуляций.

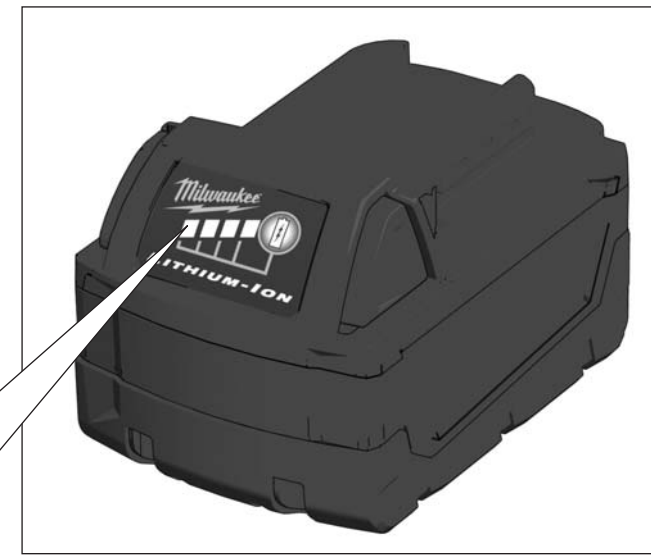
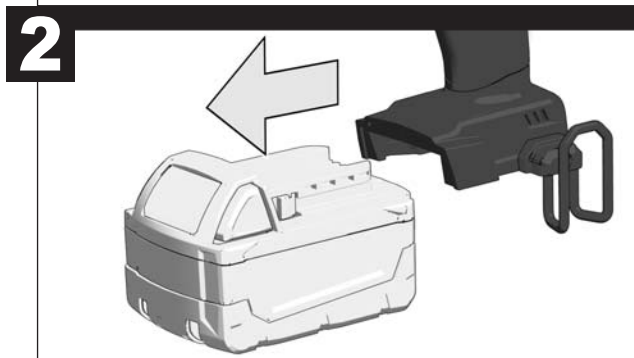
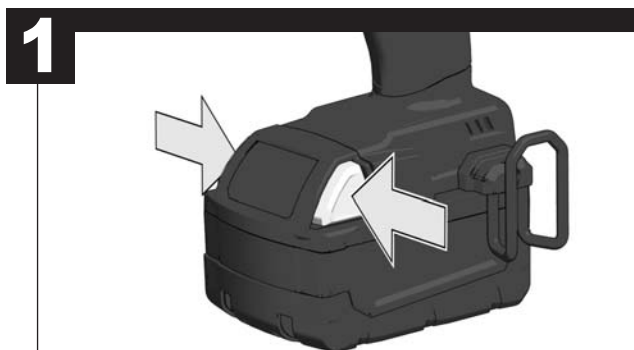
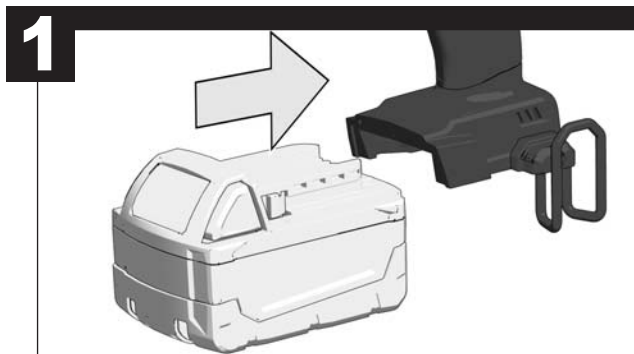
Преди започване на каквита е да работи по машината извадете акумулатора.

Scoateți acumulatorul înainte de a începe orice intervenție pe mașină.

Отстранете ја батеријата пред да започнете да ја користите машината.

在机器上进行任何维护工作之前，先拿出蓄电池。

قم بإزالة حزمة البطارية قبل البدء في أي أعمال على الجهاز.



78-100 %



55-77 %



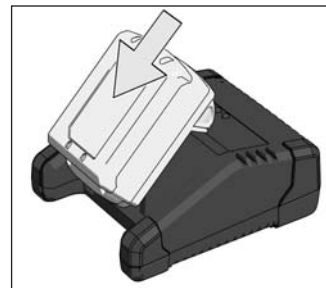
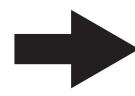
33-54 %

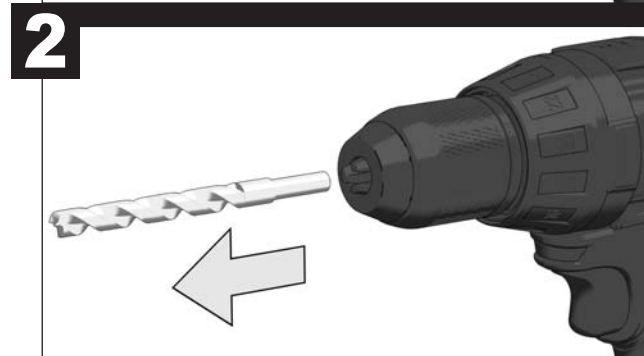
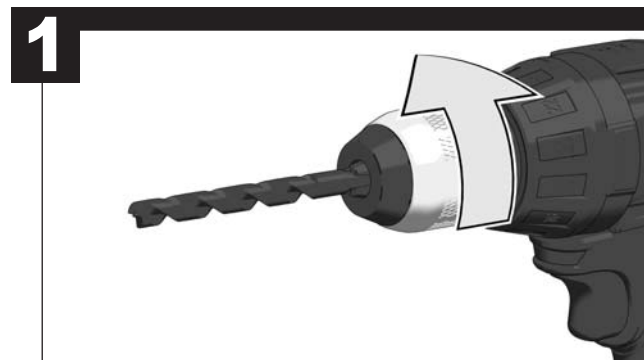
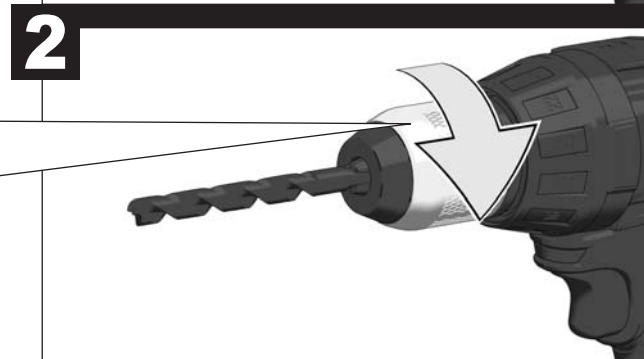
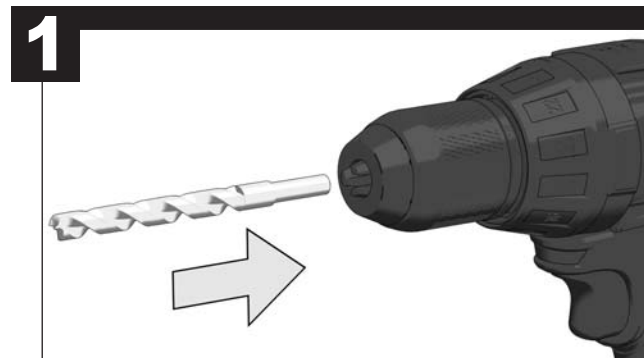
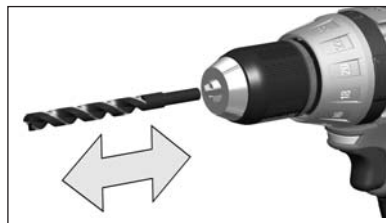
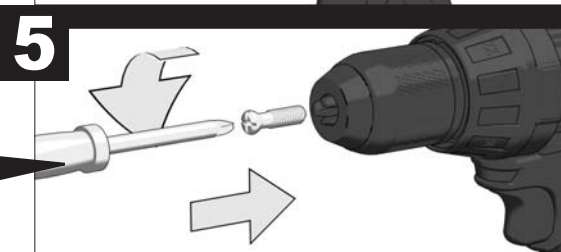
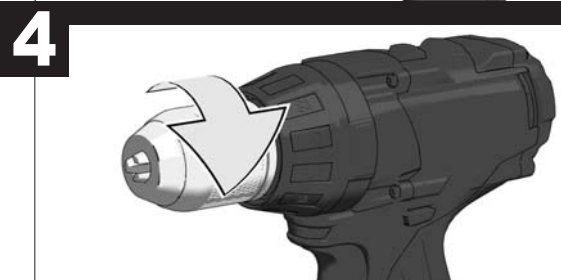
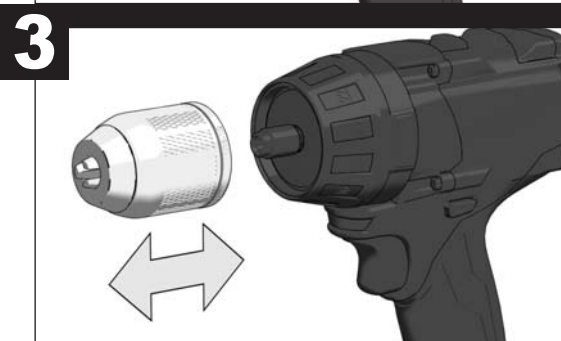
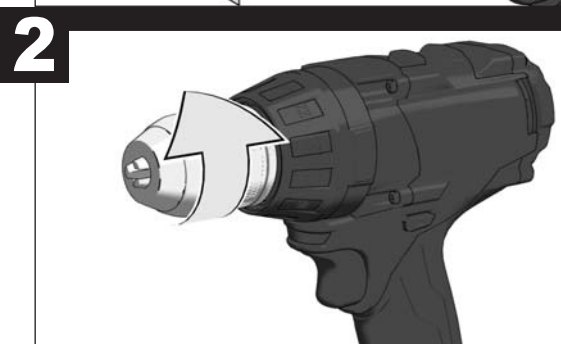
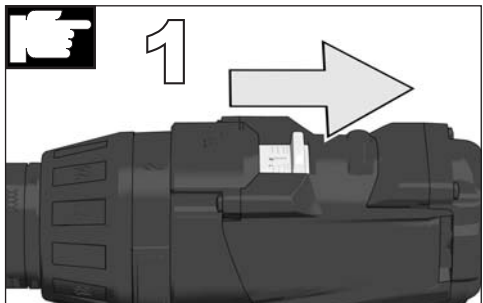
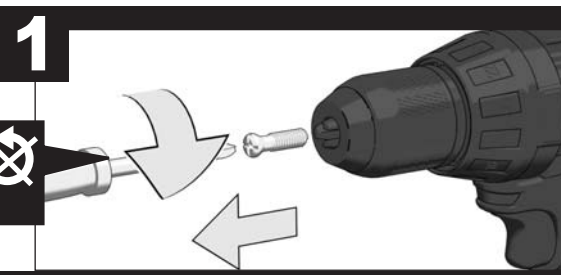


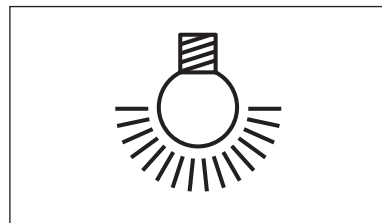
10-32 %



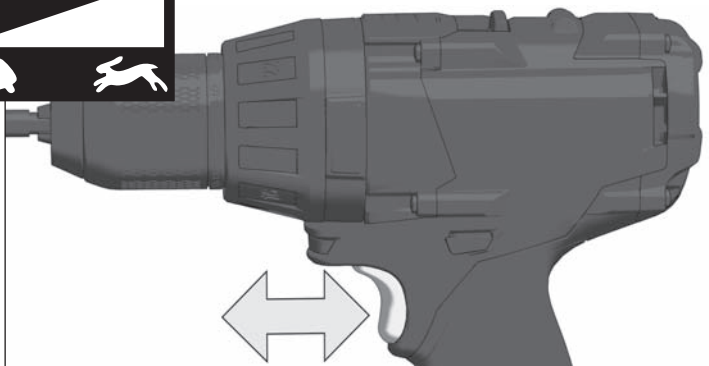
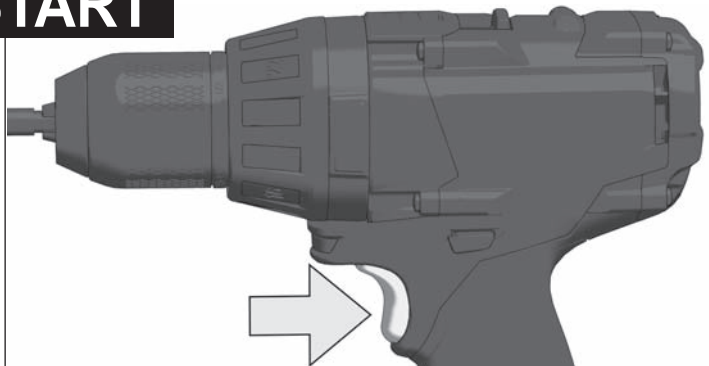
< 10 %



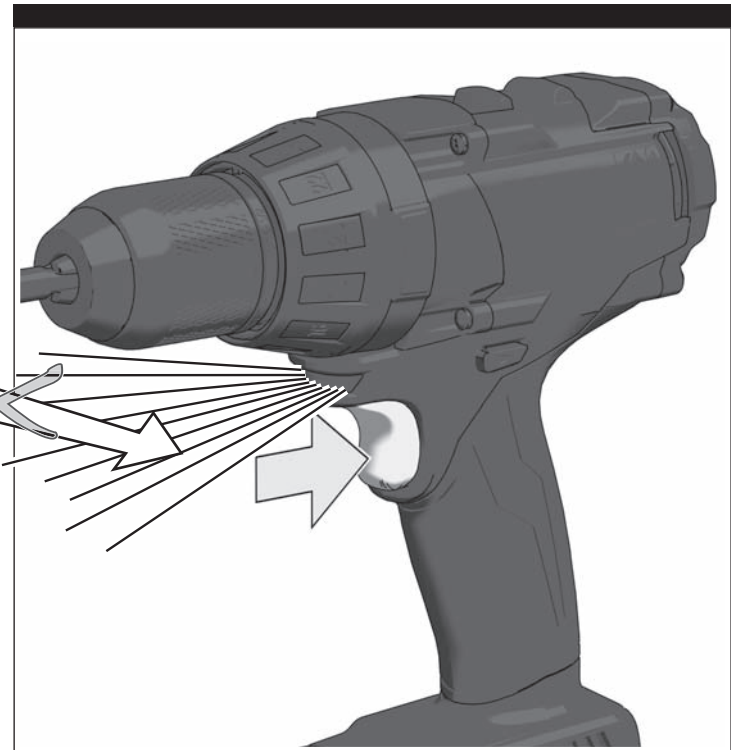
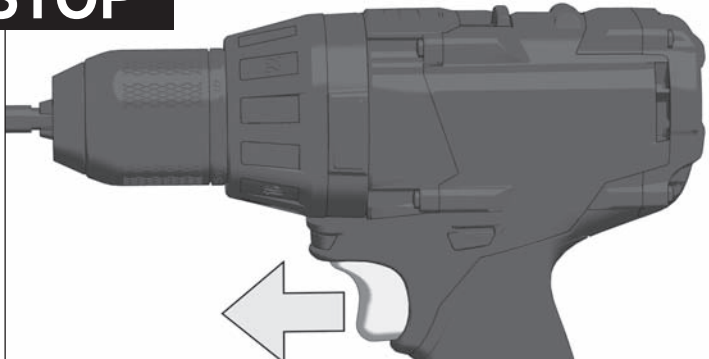


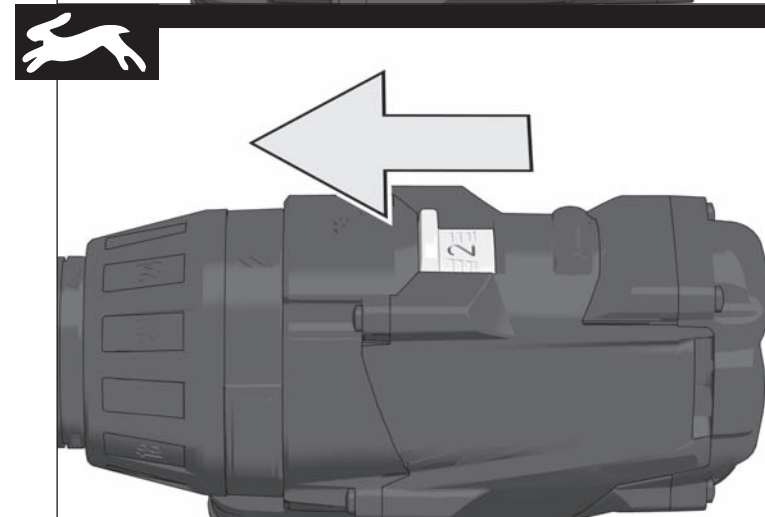
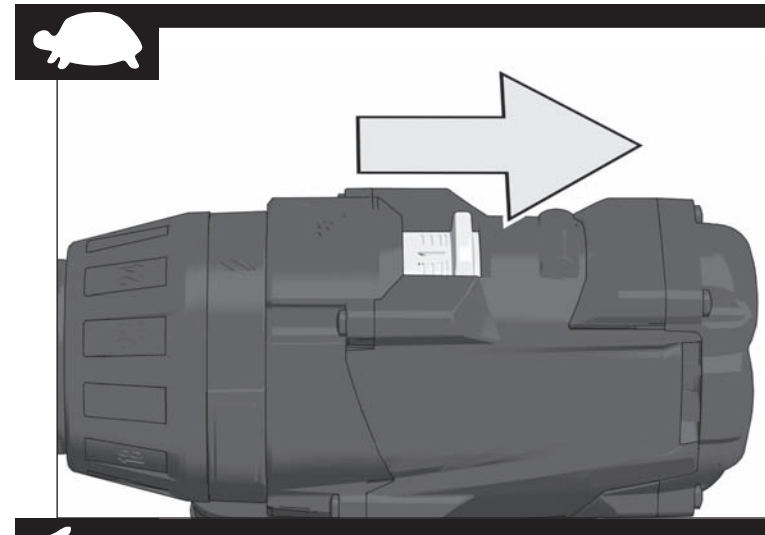
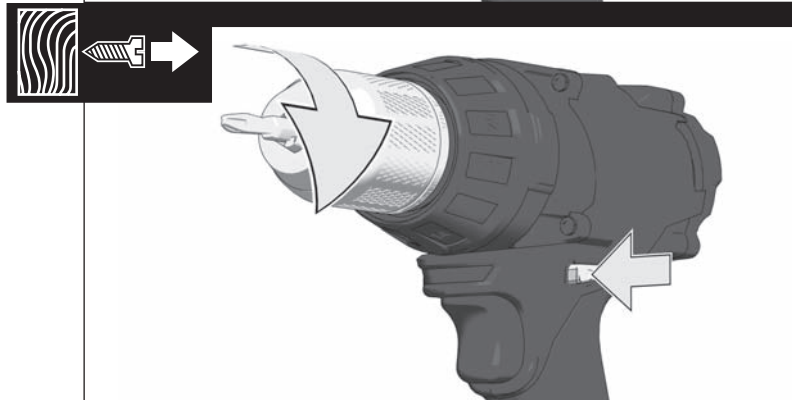
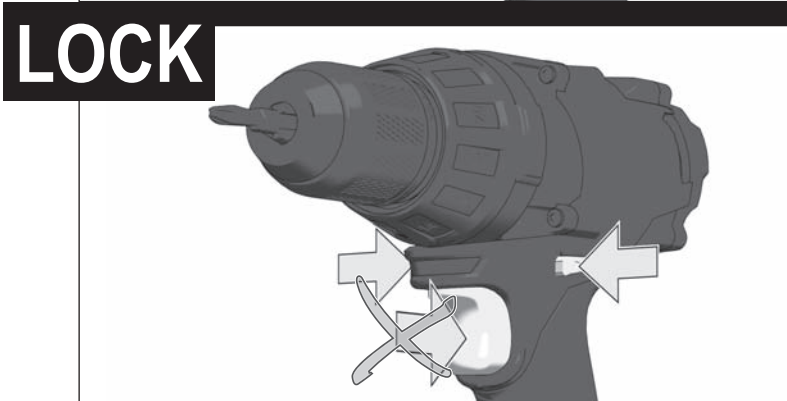
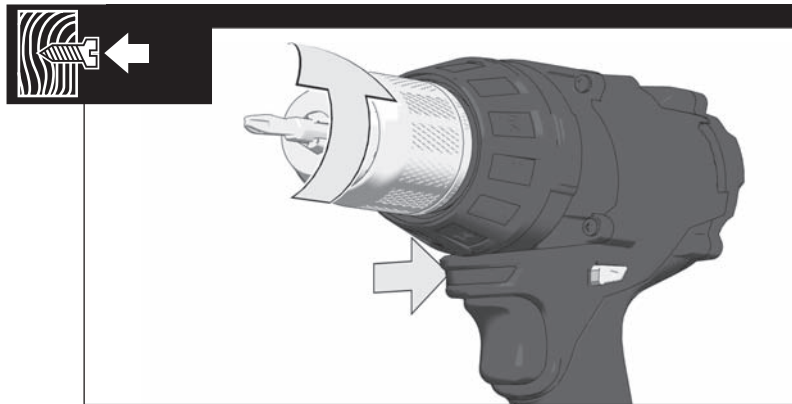
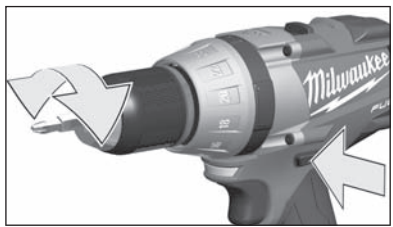


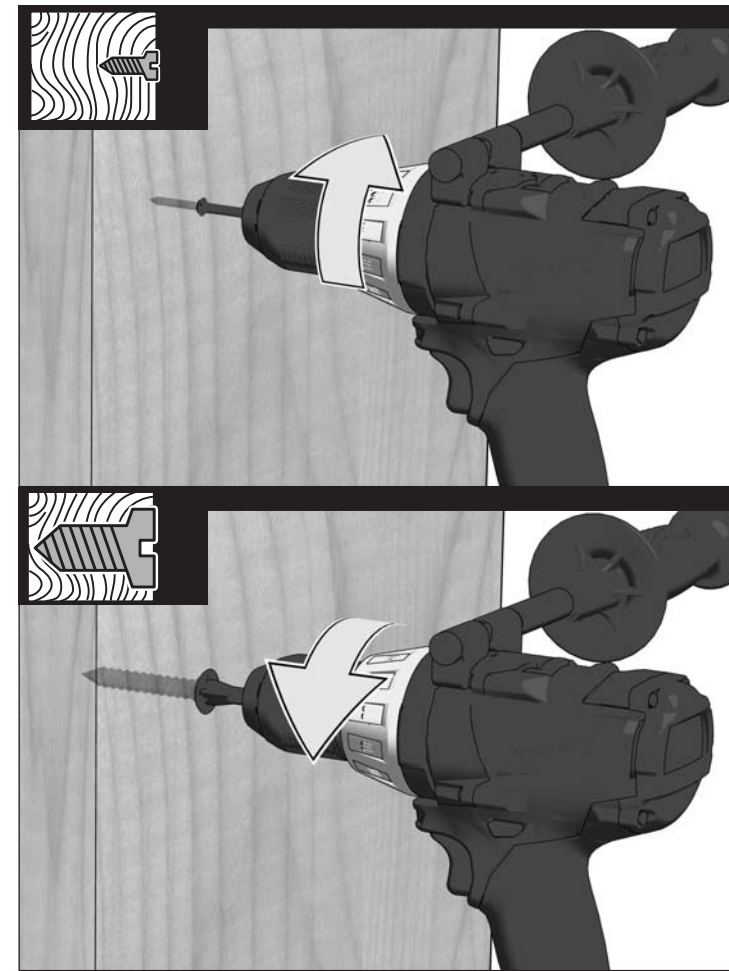
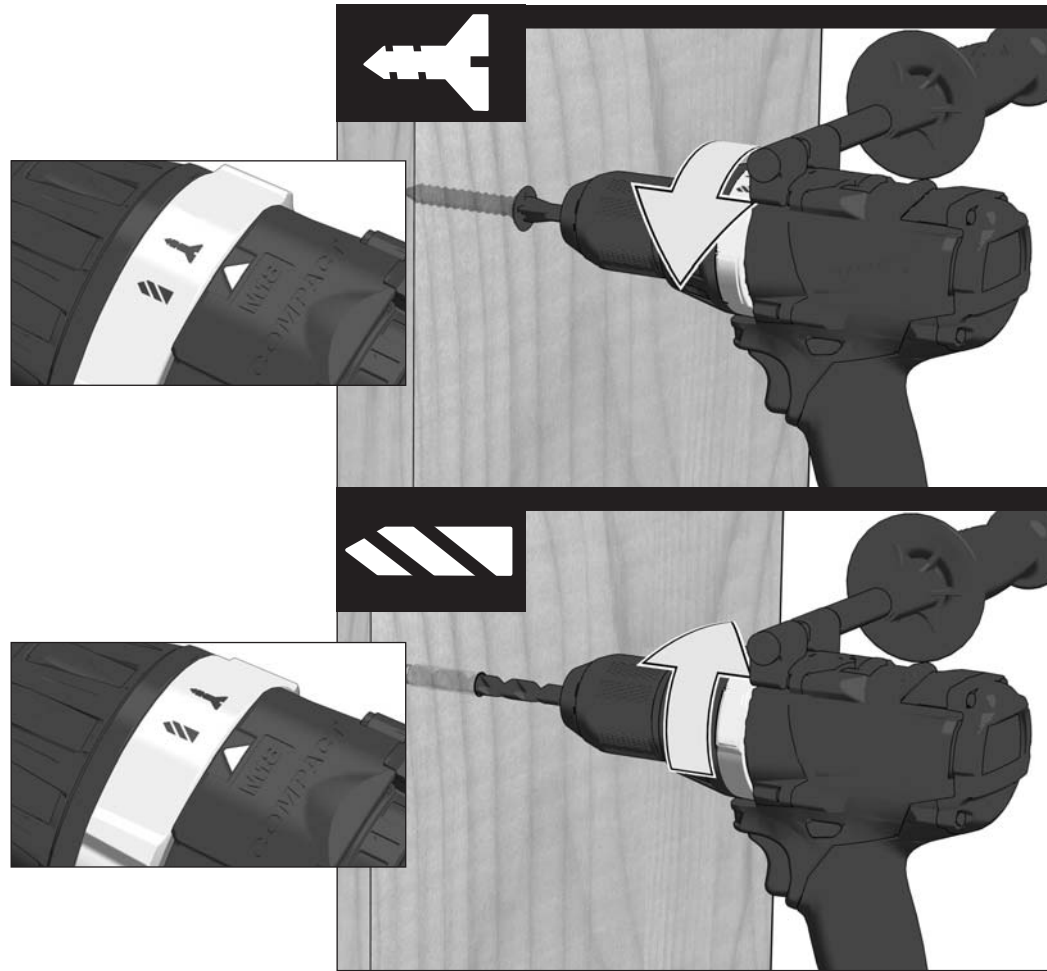
START

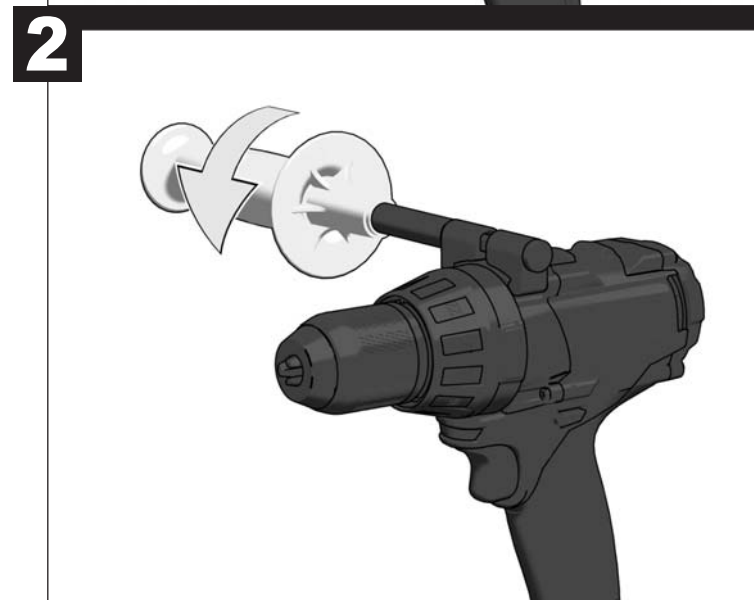
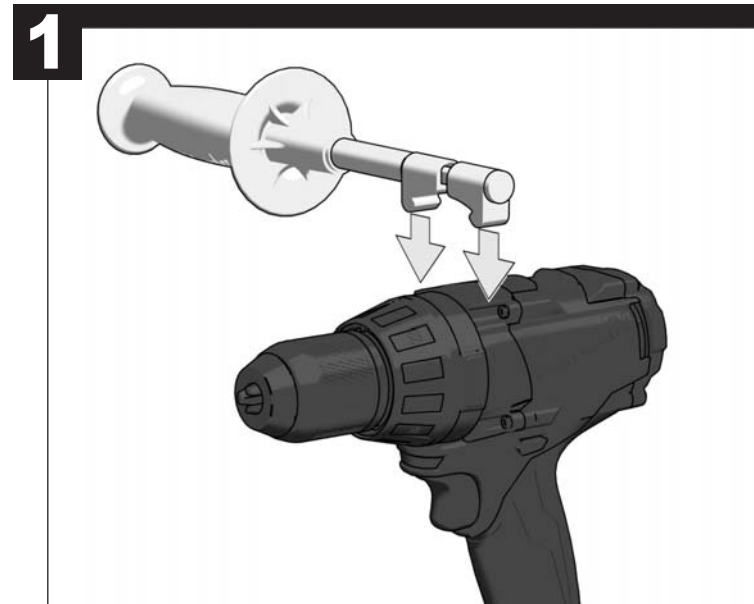
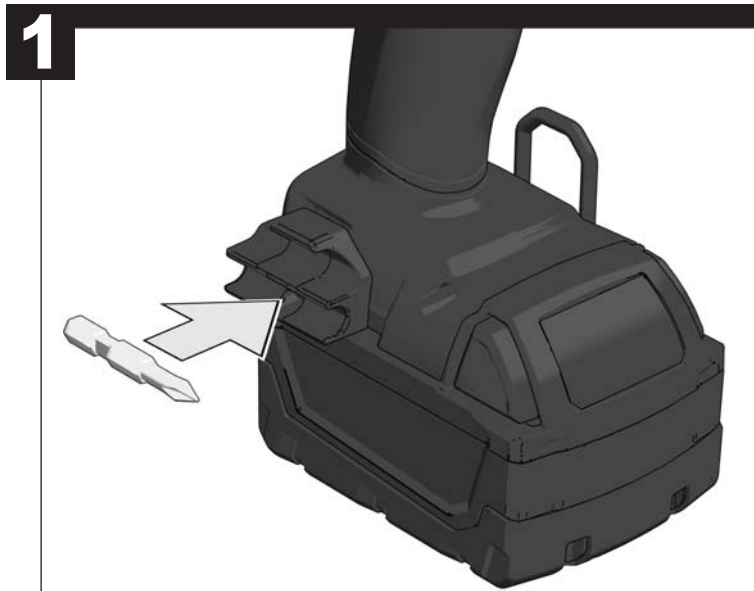


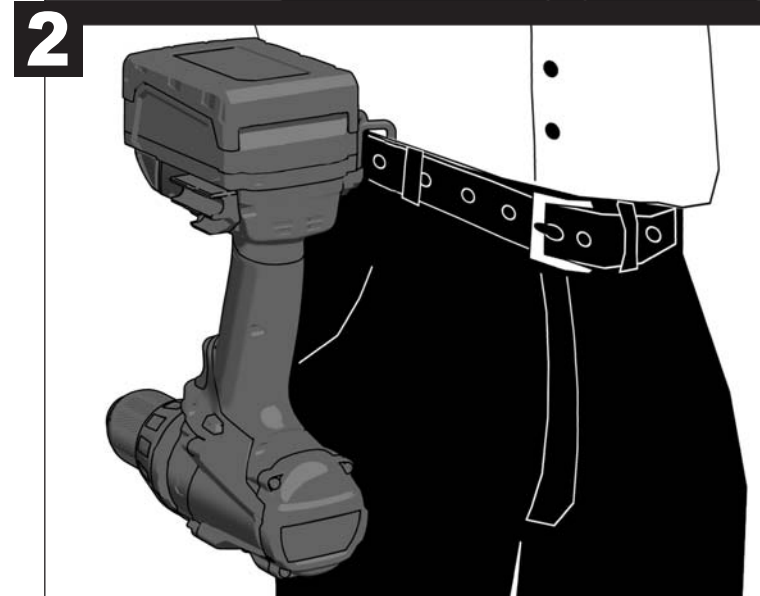
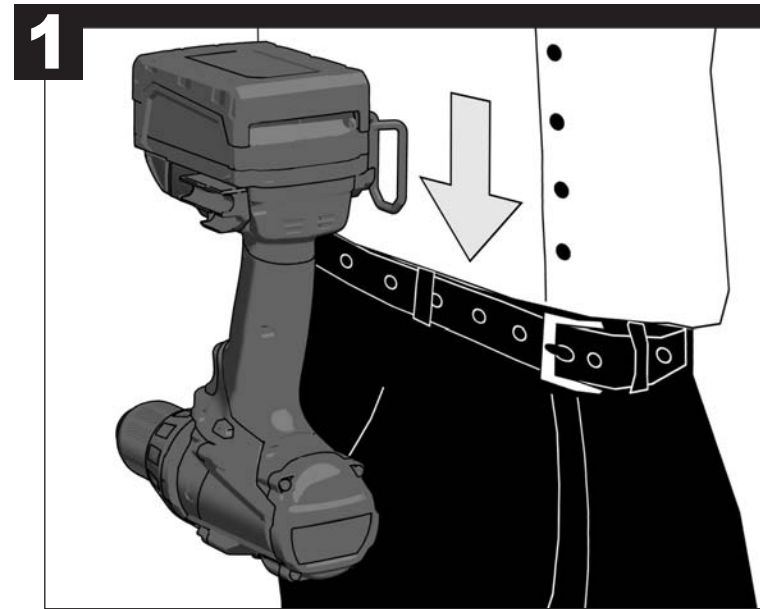
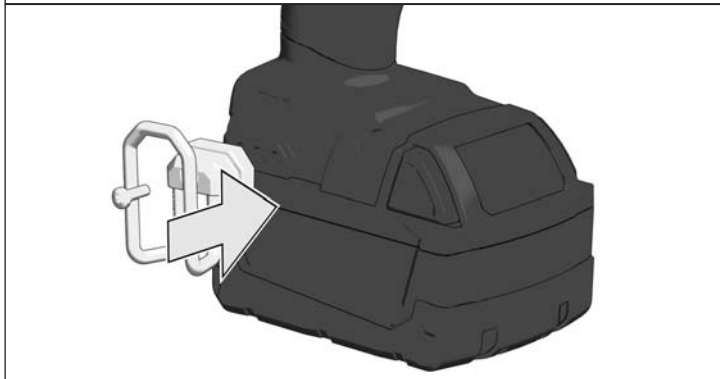
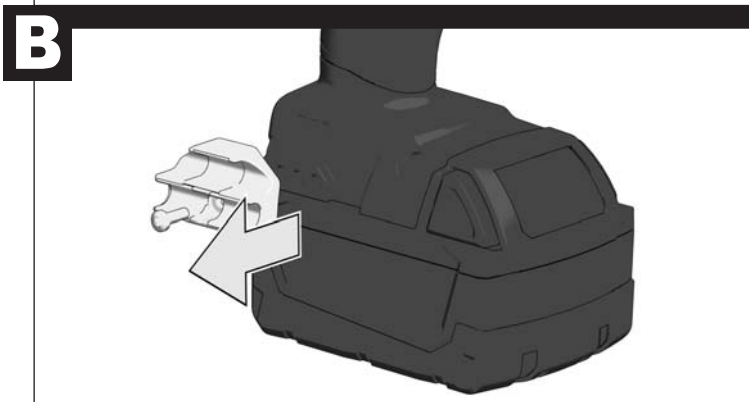
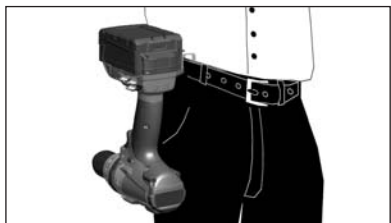
STOP











TECHNICAL DATA **CORDLESS DRILL DRIVER** **M18 CDD**

Production code.....	4523 23 01...
.....	4312 01 01...
.....	...000001-999999
Drilling capacity in steel.....	13 mm
Drilling capacity in wood.....	45 mm
Wood screws (without pre-drilling).....	9 mm
No-load speed 1st gear.....	0-550 min ⁻¹
No-load speed 2nd gear.....	0-1850 min ⁻¹
Torque with battery (1.5 Ah / 2.0 Ah) *1.....	70 Nm
Torque with battery (3.0 Ah / 4.0 Ah) *1.....	80 Nm
Battery voltage.....	18 V
Drill chuck range.....	1,5-13 mm
Weight according EPTA-Procedure 01/2003 (1.5 Ah / 2.0 Ah).....	2,0 kg
Weight according EPTA-Procedure 01/2003 (3.0 Ah / 4.0 Ah).....	2,3 kg

Noise/vibration information

Measured values determined according to EN 60 745.

Typically, the A-weighted noise levels of the tool are:

Sound pressure level (Uncertainty K=3dB(A))..... 76 dB (A)

Sound power level (Uncertainty K=3dB(A))..... 87 dB (A)

Always wear ear protectors!

Total vibration values (vector sum in the three axes) determined according to EN 60745.

Vibration emission value a_n

Drilling into metal..... 1,32 m/s²

Uncertainty K=..... 2,28 m/s²

Screwing..... 1,32 m/s²

Uncertainty K=..... 2,28 m/s²

*1 Measured according to Milwaukee standard N 877318

WARNING

The vibration emission level given in this information sheet has been measured in accordance with a standardised test given in EN 60745 and may be used to compare one tool with another. It may be used for a preliminary assessment of exposure.

The declared vibration emission level represents the main applications of the tool. However if the tool is used for different applications, with different accessories or poorly maintained, the vibration emission may differ. This may significantly increase the exposure level over the total working period.

An estimation of the level of exposure to vibration should also take into account the times when the tool is switched off or when it is running but not actually doing the job. This may significantly reduce the exposure level over the total working period.

Identify additional safety measures to protect the operator from the effects of vibration such as: maintain the tool and the accessories, keep the hands warm, organisation of work patterns.

⚠ WARNING! Read all safety warnings and all instructions.

Failure to follow the warnings and instructions may result in electric shock, fire and/or serious injury.

Save all warnings and instructions for future reference.

⚠ DRILL SAFETY WARNINGS

Hold power tool by insulated gripping surfaces, when performing an operation where the cutting accessory may contact hidden wiring.

Cutting accessory contacting a „live“ wire may make exposed metal parts of the power tool „live“ and could give the operator an electric shock.

⚠ SCREWDRIVER SAFETY WARNINGS

Hold power tool by insulated gripping surfaces, when performing an operation where the fastener may contact hidden wiring. Fasteners contacting a „live“ wire may make exposed metal parts of the power tool „live“ and could give the operator an electric shock.

ADDITIONAL SAFETY AND WORKING INSTRUCTIONS

Use protective equipment. Always wear safety glasses when working with the machine. The use of protective clothing is recommended, such as dust mask, protective gloves, sturdy non-slip footwear, helmet and ear defenders.

The dust produced when using this tool may be harmful to health. Do not inhale the dust. Wear a suitable dust protection mask.

Do not machine any materials that present a danger to health (e.g. asbestos).

Switch the device off immediately if the insertion tool stalls! Do not switch the device on again while the insertion tool is stalled, as doing so could trigger a sudden recoil with a high reactive force. Determine why the insertion tool stalled and rectify this, paying heed to the safety instructions.

The possible causes may be:

- it is tilted in the workpiece to be machined
- it has pierced through the material to be machined
- the power tool is overloaded

Do not reach into the machine while it is running.

The insertion tool may become hot during use.

- when changing tools
- when setting the device down

Sawdust and splinters must not be removed while the machine is running.

When working in walls ceiling, or floor, take care to avoid electric cables and gas or waterpipes.

Clamp your workpiece with a clamping device. Unclamped workpieces can cause severe injury and damage.

Remove the battery pack before starting any work on the machine.

Do not dispose of used battery packs in the household refuse or by burning them. Milwaukee Distributors offer to retrieve old batteries to protect our environment.

Do not store the battery pack together with metal objects (short circuit risk).

Use only System M18 chargers for charging System M18 battery packs. Do not use battery packs from other systems.

Never break open battery packs and chargers and store only in dry rooms. Keep dry at all times.

Battery acid may leak from damaged batteries under extreme load or extreme temperatures. In case of contact with battery acid wash it off immediately with soap and water. In case of eye contact rinse thoroughly for at least 10 minutes and immediately seek medical attention.

SPECIFIED CONDITIONS OF USE

The battery drill/screwdriver may be used for drilling and screwdriving for independent use away from mains supply.

Do not use this product in any other way as stated for normal use.

EC-DECLARATION OF CONFORMITY

We declare under our sole responsibility that the product described under "Technical Data" fulfills all the relevant regulations and the directives 2011/65/EU (RoHs), 2006/42/EC, 2004/108/EC and the following harmonized standards have been used:

EN 60745-1:2009 + A11:2010

EN 60745-2-2:2010

EN 55014-1:2006 + A1:2009 + A2:2011

EN 55014-2:1997 + A1:2001 + A2:2008

EN 50581:2012

Winnenden, 2014-09-22



Alexander Krug
Managing Director



Authorized to compile the technical file.

Techtronic Industries GmbH
Max-Eyth-Straße 10
71364 Winnenden
Germany

BATTERIES

Battery packs which have not been used for some time should be recharged before use.

Temperatures in excess of 50°C (122°F) reduce the performance of the battery pack. Avoid extended exposure to heat or sunshine (risk of overheating).

The contacts of chargers and battery packs must be kept clean.

For an optimum life-time, after use, the battery packs have to be fully charged.

To obtain the longest possible battery life remove the battery pack from the charger once it is fully charged.

For battery pack storage longer than 30 days:

Store the battery pack where the temperature is below 27°C and away from moisture

Store the battery packs in a 30% - 50% charged condition

Every six months of storage, charge the pack as normal.

BATTERY PACK PROTECTION

In extremely high torque, binding, stalling and short circuit situations that cause high current draw, the tool will vibrate for about 2 seconds and then the tool will turn OFF.

To reset, release the trigger.

Under extreme circumstances, the internal temperature of the battery could become too high. If this happens, the battery will shut down.

Place the battery on the charger to charge and reset it.

TRANSPORTING LITHIUM BATTERIES

Lithium-ion batteries are subject to the Dangerous Goods Legislation requirements.

Transportation of those batteries has to be done in accordance with local, national and international provisions and regulations.

- The user can transport the batteries by road without further requirements.
- Commercial transport of Lithium-Ion batteries by third parties is subject to Dangerous Goods regulations. Transport preparation and transport are exclusively to be carried out by appropriately trained persons and the process has to be accompanied by corresponding experts.

When transporting batteries:

- Ensure that battery contact terminals are protected and insulated to prevent short circuit.
- Ensure that battery pack is secured against movement within packaging.
- Do not transport batteries that are cracked or leak.

Check with forwarding company for further advice

INTENANCE

Use only Milwaukee accessories and spare parts. Should components need to be replaced which have not been described, please contact one of our Milwaukee service agents (see our list of guarantee/service addresses).

If needed, an exploded view of the tool can be ordered. Please state the machine type printed as well as the six-digit No. on the label and order the drawing at your local service agents or directly at: Techtronic Industries GmbH, Max-Eyth-Straße 10, 71364 Winnenden, Germany.

SYMBOLS

CAUTION! WARNING! DANGER!



Remove the battery pack before starting any work on the machine.



Please read the instructions carefully before starting the machine.



Do not dispose of electric tools together with household waste material. Electric tools and electronic equipment that have reached the end of their life must be collected separately and returned to an environmentally compatible recycling facility. Check with your local authority or retailer for recycling advice and collection point.



European Conformity Mark

EurAsian Conformity Mark.

TECHNISCHE DATEN	AKKU-BOHRSCHRAUBER	M18 CDD
Produktionsnummer	4523 23 01...	
.....	4312 01 01...	
.....	..000001-999999	
Bohr- ϕ in Stahl.....	13 mm	
Bohr- ϕ in Holz.....	45 mm	
Holzschrauben (ohne Vorbohren).....	9 mm	
Leerlaufdrehzahl 1. Gang.....	0-550 min ⁻¹	
Leerlaufdrehzahl 2. Gang.....	0-1850 min ⁻¹	
Drehmoment (1,5 Ah / 2,0 Ah) *1.....	70 Nm	
Drehmoment (3,0 Ah / 4,0 Ah) *1.....	80 Nm	
Spannung Wechselakku.....	18 V	
Bohrfutterspannbereich	1,5-13 mm	
Gewicht nach EPTA-Prozedur 01/2003 (1,5 Ah / 2,0 Ah).....	2,0 kg	
Gewicht nach EPTA-Prozedur 01/2003 (3,0 Ah / 4,0 Ah).....	2,3 kg	

Geräusch/Vibrationsinformation

Messwerte ermittelt entsprechend EN 60 745.

Der A-bewertete Geräuschpegel des Gerätes beträgt

typischerweise:

Schalldruckpegel (Unsicherheit K=3dB(A))..... 76 dB (A)

Schalleistungspegel (Unsicherheit K=3dB(A))..... 87 dB (A)

Gehörschutz tragen!

Schwingungsgesamtwerte (Vektorsumme dreier Richtungen)

ermittelt entsprechend EN 60745.

Schwingungsemissionswert a_h

Bohren in Metall..... 1,32 m/s²

Unsicherheit K =..... 2,28 m/s²

Schrauben..... 1,32 m/s²

Unsicherheit K =..... 2,28 m/s²

*1 Gemessen nach Milwaukee Standard N 877318

WARNUNG

Der in diesen Anweisungen angegebene Schwingungspegel ist entsprechend einem in EN 60745 genormten Messverfahren gemessen worden und kann für den Vergleich von Elektrowerkzeugen miteinander verwendet werden. Er eignet sich auch für eine vorläufige Einschätzung der Schwingungsbelastung.

Der angegebene Schwingungspegel repräsentiert die hauptsächlichen Anwendungen des Elektrowerkzeugs. Wenn allerdings das Elektrowerkzeug für andere Anwendungen, mit abweichenden Einsatzwerkzeugen oder ungenügender Wartung eingesetzt wird, kann der Schwingungspegel abweichen. Dies kann die Schwingungsbelastung über den gesamten Arbeitszeitraum deutlich erhöhen.

Für eine genaue Abschätzung der Schwingungsbelastung sollten auch die Zeiten berücksichtigt werden, in denen das Gerät abgeschaltet ist oder zwar läuft, aber nicht tatsächlich im Einsatz ist. Dies kann die Schwingungsbelastung über den gesamten Arbeitszeitraum deutlich reduzieren.

Legen Sie zusätzliche Sicherheitsmaßnahmen zum Schutz des Bedieners vor der Wirkung von Schwingungen fest wie zum Beispiel: Wartung von Elektrowerkzeug und Einsatzwerkzeugen, Warmhalten der Hände, Organisation der Arbeitsabläufe.

⚠️ WARNUNG! Lesen Sie alle Sicherheitshinweise und Anweisungen. Versäumnisse bei der Einhaltung der Sicherheitshinweise und Anweisungen können elektrischen Schlag, Brand und/oder schwere Verletzungen verursachen.

Bewahren Sie alle Sicherheitshinweise und Anweisungen für die Zukunft auf.

⚠️ SICHERHEITSHINWEISE FÜR BOHRMASCHINEN

Halten Sie das Gerät an den isolierten Griffflächen, wenn Sie Arbeiten ausführen, bei denen das Einsatzwerkzeug verborgene Stromleitungen treffen kann. Der Kontakt mit einer spannungsführenden Leitung kann auch metallene Geräteteile unter Spannung setzen und zu einem elektrischen Schlag führen.

⚠️ SICHERHEITSHINWEISE FÜR SCHRAUBER

Halten Sie das Gerät an den isolierten Griffflächen, wenn Sie Arbeiten ausführen, bei denen die Schraube verborgene Stromleitungen treffen kann. Der Kontakt der Schraube mit einer spannungsführenden Leitung kann metallene Geräteteile unter Spannung setzen und zu einem elektrischen Schlag führen.

WEITERE SICHERHEITS- UND ARBEITSHINWEISE

Schutzausrüstung verwenden. Beim Arbeiten mit der Maschine stets Schutzbrille tragen. Schutzkleidung wie Staubschutzmaske, Schutzhandschuhe, festes und rutschsicheres Schuhwerk, Helm und Gehörschutz werden empfohlen.

Beim Arbeiten entstehender Staub ist oft gesundheitsschädlich und sollte nicht in den Körper gelangen. Geeignete Staubschutzmaske tragen.

Es dürfen keine Materialien bearbeitet werden, von denen eine Gesundheitsgefährdung ausgeht (z.B. Asbest).

Beim Blockieren des Einsatzwerkzeuges bitte das Gerät sofort ausschalten! Schalten Sie das Gerät nicht wieder ein, solange das Einsatzwerkzeug blockiert ist; hierbei könnte ein Rückschlag mit hohem Reaktionsmoment entstehen. Ermitteln und beheben Sie die Ursache für die Blockierung des Einsatzwerkzeuges unter Berücksichtigung der Sicherheitshinweise.

Mögliche Ursachen dafür können sein:

- Verkanten im zu bearbeitenden Werkstück
- Durchbrechen des zu bearbeitenden Materials
- Überlasten des Elektrowerkzeuges

Greifen Sie nicht in die laufende Maschine.

Das Einsatzwerkzeug kann während der Anwendung heiß werden. **WARNUNG!** Verbrennungsgefahr

- bei Werkzeugwechsel
- bei Ablegen des Gerätes

Späne oder Splitter dürfen bei laufender Maschine nicht entfernt werden.

Beim Arbeiten in Wand, Decke oder Fußboden auf elektrische Kabel, Gas- und Wasserleitungen achten.

Sichern Sie Ihr Werkstück mit einer Spannvorrichtung. Nicht gesicherte Werkstücke können schwere Verletzungen und Beschädigungen verursachen.

Vor allen Arbeiten an der Maschine den Wechselakku herausnehmen

Verbrauchte Wechselakkus nicht ins Feuer oder in den Hausmüll werfen. Milwaukee bietet eine umweltgerechte Alt-Wechselakku-Entsorgung an; bitte fragen Sie Ihren Fachhändler.

Wechselakku nicht zusammen mit Metallgegenständen aufbewahren (Kurzschlussgefahr).

Wechselakku des Systems M18 nur mit Ladegeräten des Systems M18 laden. Keine Akkus aus anderen Systemen laden.

Wechselakku und Ladegeräte nicht öffnen und nur in trockenen Räumen lagern. Vor Nässe schützen.

Unter extremer Belastung oder extremer Temperatur kann aus beschädigten Wechselakkus Batterieflüssigkeit auslaufen. Bei Berührung mit Batterieflüssigkeit sofort mit Wasser und Seife abwaschen. Bei Augenkontakt sofort mindestens 10 Minuten gründlich spülen und unverzüglich einen Arzt aufsuchen.

BESTIMMUNGSGEMÄSSE VERWENDUNG

Der Akku-Bohrschrauber ist universell einsetzbar zum Bohren und Schrauben unabhängig von einem Netzanschluss.

Dieses Gerät darf nur wie angegeben bestimmungsgemäß verwendet werden.

CE-KONFORMITÄTSERKLÄRUNG

Wir erklären in alleiniger Verantwortung, dass das unter „Technische Daten“ beschriebene Produkt mit allen relevanten Vorschriften der Richtlinie 2011/65/EU (RoHS), 2006/42/EG, 2004/108/EG und den folgenden harmonisierten normativen Dokumenten übereinstimmt:

EN 60745-1:2009 + A11:2010

EN 60745-2-2:2010

EN 55014-1:2006 + A1:2009 + A2:2011

EN 55014-2:1997 + A1:2001 + A2:2008

EN 50581:2012

Winnenden, 2014-09-22



Alexander Krug
Managing Director



Bevollmächtigt die technischen Unterlagen zusammenzustellen

Techtronic Industries GmbH
Max-Eyth-Straße 10
71364 Winnenden
Germany

AKKUS

Längere Zeit nicht benutzte Wechselakkus vor Gebrauch nachladen.

Eine Temperatur über 50°C vermindert die Leistung des Wechselakkus. Längere Erwärmung durch Sonne oder Heizung vermeiden.

Die Anschlusskontakte an Ladegerät und Wechselakku sauber halten.

Für eine optimale Lebensdauer müssen nach dem Gebrauch die Akkus voll geladen werden.

Für eine möglichst lange Lebensdauer sollten die Akkus nach dem Aufladen aus dem Ladegerät entfernt werden.

Bei Lagerung des Akkus länger als 30 Tage:

Akku bei ca. 27°C und trocken lagern.

Akku bei ca. 30%-50% des Ladezustandes lagern.

Akku alle 6 Monate erneut aufladen.

AKKUÜBERLASTSCHUTZ

Bei Überlastung des Akkus durch sehr hohen Stromverbrauch, z.B. extrem hohe Drehmomente, Verklemmen des Bohrers, plötzlichem Stopp oder Kurzschluss, brummt das Elektrowerkzeug 2 Sekunden lang und schaltet sich selbsttätig ab.

Zum Wiedereinschalten, den Schalterdrücker loslassen und dann wieder einschalten.

Unter extremen Belastungen kann sich der Akku stark erhitzen. In diesem Fall schaltet der Akku ab.

Den Akku dann in das Ladegerät stecken um ihn wieder aufzuladen und zu aktivieren.

TRANSPORT VON LITHIUM-IONEN-AKKUS

Lithium-Ionen-Akkus fallen unter die gesetzlichen Bestimmungen zum Gefahrguttransport.

Der Transport dieser Akkus muss unter Einhaltung der lokalen, nationalen und internationalen Vorschriften und Bestimmungen erfolgen.

- Verbraucher dürfen diese Akkus ohne Weiteres auf der Straße transportieren.
- Der kommerzielle Transport von Lithium-Ionen-Akkus durch Speditionsunternehmen unterliegt den Bestimmungen des Gefahrguttransports. Die Versandvorbereitungen und der Transport dürfen ausschließlich von entsprechend geschulten Personen durchgeführt werden. Der gesamte Prozess muss fachmännisch begleitet werden.

Folgende Punkte sind beim Transport von Akkus zu beachten:

- Stellen Sie sicher, dass die Kontakte geschützt und isoliert sind, um Kurzschlüsse zu vermeiden.
- Achten Sie darauf, dass der Akkupack innerhalb der Verpackung nicht verrutschen kann.
- Beschädigte oder auslaufende Akkus dürfen nicht transportiert werden.

Wenden Sie sich für weitere Hinweise an Ihr Speditionsunternehmen.

WARTUNG

Nur Milwaukee Zubehör und Ersatzteile verwenden. Bauteile, deren Austausch nicht beschrieben wurde, bei einer Milwaukee Kundendienststelle auswechseln lassen (Broschüre Garantie/ Kundendienstadressen beachten).

Bei Bedarf kann eine Explosionszeichnung des Gerätes unter Angabe der Maschinen Type und der sechsstelligen Nummer auf dem Leistungsschild bei Ihrer Kundendienststelle oder direkt bei Techtronic Industries GmbH, Max-Eyth-Straße 10, 71364 Winnenden, Germany angefordert werden.

SYMBOLE



ACHTUNG! WARNUNG! GEFAHR!



Vor allen Arbeiten an der Maschine den Wechselakku herausnehmen



Bitte lesen Sie die Gebrauchsanweisung vor Inbetriebnahme sorgfältig durch.



Elektrogeräte dürfen nicht zusammen mit dem Hausmüll entsorgt werden. Elektrische und elektronische Geräte sind getrennt zu sammeln und zur umweltgerechten Entsorgung bei einem Verwertungsbetrieb abzugeben. Erkundigen Sie sich bei den örtlichen Behörden oder bei Ihrem Fachhändler nach Recyclinghöfen und Sammelstellen.



CE-Zeichen

EurAsian Konformitätszeichen.

CARACTÉRISTIQUES TECHNIQUES	VISSEUSE SANS FIL	M18 CDD
Numéro de série	4523 23 01...	
.....	4312 01 01...	
.....	000001-999999	
Ø de perçage dans acier.....	13 mm	
Ø de perçage dans bois.....	45 mm	
Vis à bois (sans avant trou).....	9 mm	
Vitesse de rotation 1ère vitesse.....	0-550 min ⁻¹	
Vitesse de rotation 2ème vitesse.....	0-1850 min ⁻¹	
Couple (1,5 Ah / 2,0 Ah)*1.....	70 Nm	
Couple (3,0 Ah / 4,0 Ah)*1.....	80 Nm	
Tension accu interchangeable.....	18 V	
Plage de serrage du mandrin.....	1,5-13 mm	
Poids suivant EPTA-Procédure 01/2003 (1,5 Ah / 2,0 Ah).....	2,0 kg	
Poids suivant EPTA-Procédure 01/2003 (3,0 Ah / 4,0 Ah).....	2,3 kg	

Informations sur le bruit et les vibrations

Valeurs de mesure obtenues conformément à la EN 60 745.

La mesure réelle (A) du niveau de bruit de l'outil est

Niveau de pression acoustique (Incertitude K=3dB(A))..... 76 dB (A)

Niveau d'intensité acoustique (Incertitude K=3dB(A))..... 87 dB (A)

Toujours porter une protection acoustique!

Valeurs totales des vibrations (somme vectorielle de trois sens)

établies conformément à EN 60745.

Valeur d'émission vibratoire a_h

Perçage dans le métal..... 1,32 m/s²

Incertitude K=..... 2,28 m/s²

Vissage..... 1,32 m/s²

Incertitude K=..... 2,28 m/s²

*1 Mesuré selon la norme Milwaukee N 877318

AVERTISSEMENT

Le niveau vibratoire indiqué dans ces instructions a été mesuré selon un procédé de mesure normalisé dans la norme EN 60745 et peut être utilisé pour comparer des outils électriques entre eux. Il convient aussi à une estimation provisoire de la sollicitation par les vibrations.

Le niveau vibratoire indiqué représente les applications principales de l'outil électrique. Toutefois, si l'outil électrique est utilisé pour d'autres applications, avec des outils rapportés qui diffèrent ou une maintenance insuffisante, il se peut que le niveau vibratoire diverge. Cela peut augmenter nettement la sollicitation par les vibrations sur tout l'intervalle de temps du travail.

Pour une estimation précise de la sollicitation par les vibrations, on devrait également tenir compte des temps pendant lesquels l'appareil n'est pas en marche ou tourne sans être réellement en service. Cela peut réduire nettement la sollicitation par les vibrations sur tout l'intervalle de temps du travail.

Définissez des mesures de sécurité supplémentaires pour protéger l'utilisateur contre l'influence des vibrations, comme par exemple : la maintenance de l'outil électrique et des outils rapportés, le maintien au chaud des mains, l'organisation des déroulements de travail.

AVIS! Lire complètement les instructions et les indications de sécurité.

Le non-respect des avertissements et instructions indiqués ci après peut entraîner un choc électrique, un incendie et/ou de graves blessures sur les personnes.

Bien garder tous les avertissements et instructions.

INSTRUCTIONS DE SÉCURITÉ POUR PERCEUSES

Maintenez l'appareil par les surfaces de poignée isolées lorsque vous exécutez des travaux pendant lesquels l'outil de coupe peut toucher des lignes électriques dissimulées. Le contact avec un câble sous tension met les parties métalliques de l'appareil sous tension et provoque une décharge électrique.

INSTRUCTIONS DE SÉCURITÉ POUR VISSEUSES

Tenir l'appareil aux surfaces isolées faisant office de poignée pendant les travaux au cours desquels la vis peut toucher des lignes électriques dissimulées. Le contact de la vis avec un câble qui conduit la tension peut mettre des parties d'appareil en métal sous tension et mener à une décharge électrique.

AVIS COMPLÉMENTAIRES DE SÉCURITÉ ET DE TRAVAIL

Utiliser l'équipement de protection. Toujours porter des lunettes de protection pendant le travail avec la machine. Il est recommandé de porter des articles de protection, tels que masque antipoussière, gants de protection, chaussures tenant bien aux pieds et antidérapantes, casque et protection acoustique.

Les poussières qui sont dégagées pendant les travaux sont souvent nocives pour la santé et ne devraient pas pénétrer dans le corps. Porter un masque de protection approprié contre les poussières.

Il est interdit de travailler des matériaux dangereux pour la santé (par ex. amiante).

Désactiver immédiatement le dispositif en cas de blocage ! Ne pas réactiver le dispositif avec l'outil bloqué; il y a le risque de provoquer un contrecoup avec moment de réaction élevé. Établir et éliminer la cause du blocage de l'outil en prêtant attention aux consignes de sécurité.

Les causes possibles sont :

- Encastrement dans la pièce à travailler.
- Le dispositif a traversé le matériau à travailler en le cassant.
- Le dispositif électrique a été surchargé.

Ne pas approcher les mains de la partie en mouvement de la machine.

Durant l'utilisation, l'outil peut se surchauffer.

AVERTISSEMENT! Danger de brûlures

- durant le remplacement de l'outil
- durant la dépose de l'outil

Ne jamais enlever les copeaux ni les éclats lorsque la machine est en marche.

Lors du perçage dans les murs, les plafonds ou les planchers, toujours faire attention aux câbles électriques et aux conduites de gaz et d'eau.

Fixer fermement la pièce en exécution à l'aide d'un dispositif de serrage. Des pièces en exécution non fermement fixées peuvent provoquer des dommages et des lésions graves.

Avant tous travaux sur la machine retirer l'accu interchangeable.

Ne pas jeter les accus interchangeables usés au feu ou avec les déchets ménagers. Milwaukee offre un système d'évacuation écologique des accus usés.

Ne pas conserver les accus interchangeables avec des objets métalliques (risque de court-circuit)

Ne charger les accus interchangeables du système M18 qu'avec le chargeur d'accus du système M18. Ne pas charger des accus d'autres systèmes.

Ne pas ouvrir les accus interchangeables et les chargeurs et ne les stocker que dans des locaux secs. Les protéger contre l'humidité.

En cas de conditions ou températures extrêmes, du liquide caustique peut s'échapper d'un accu interchangeable endommagé. En cas de contact avec le liquide caustique de la batterie, laver immédiatement avec de l'eau et du savon. En cas de contact avec les yeux, rincer soigneusement avec de l'eau et consulter immédiatement un médecin.

UTILISATION CONFORME AUX PRESCRIPTIONS

La perceuse-visseuse à accu est conçue pour un travail universel de perçage et de vissage sans être branchée sur le secteur.

Comme déjà indiqué, cette machine n'est conçue que pour être utilisée conformément aux prescriptions.

DÉCLARATION CE DE CONFORMITÉ

Nous déclarons sous notre propre responsabilité que le produit décrit aux "Données techniques" est conforme à toutes les dispositions des directives 2011/65/EU (RoHS), 2004/108/CE, 2006/42/CE et des documents normatifs harmonisés suivants:

EN 60745-1:2009 + A11:2010

EN 60745-2-1:2010

EN 60745-2-2:2010

EN 55014-1:2006 + A1:2009 + A2:2011

EN 55014-2:1997 + A1:2001 + A2:2008

EN 50581:2012

Winnenden, 2014-09-22



Alexander Krug
Managing Director



Bevollmächtigt die technischen Unterlagen zusammenzustellen

Techtronic Industries GmbH

Max-Eyth-Straße 10

71364 Winnenden

Germany

ACCUS

Recharger les accus avant utilisation après une longue période de non utilisation.

Une température supérieure à 50°C amoindrit la capacité des accus. Eviter les expositions prolongées au soleil ou au chauffage.

Tenir propres les contacts des accus et des chargeurs.

Après l'usage, les accus doivent être chargés entièrement pour une durée de vie optimale.

Pour une plus longue durée de vie, enlever les batteries du chargeur de batterie quand celles-ci seront chargées.

En cas d'entreposage de la batterie pour plus de 30 jours:

Entreposer la batterie à 27°C environ dans un endroit sec.

Entreposer la batterie avec une charge d'environ 30% - 50%.

Recharger la batterie tous les 6 mois.

PROTECTION DE L'ACCU CONTRE LES SURCHARGES

En cas de surcharge de l'accu suite à une consommation de courant très élevée, par exemple des couples extrêmement hauts, un coincement du foret, un arrêt soudain ou un court-circuit, l'outil électrique se met à bourdonner pendant 2 secondes et s'éteint automatiquement.

Pour le remettre en marche, il faut relâcher le poussoir de commutateur, puis l'enclencher à nouveau.

Il se peut que l'accu s'échauffe fortement s'il est soumis à des

sollicitations extrêmes. Dans ce cas, il se déconnecte. Mettre alors l'accu en place dans le chargeur pour le recharger et l'activer.

TRANSPORT DE BATTERIES LITHIUM-ION

Les batteries lithium-ion sont soumises aux dispositions législatives concernant le transport de produits dangereux.

Le transport de ces batteries devra s'effectuer dans le respect des dispositions et des normes locales, nationales et internationales.

- Les utilisateurs peuvent transporter ces batteries sans restrictions.
- Le transport commercial de batteries lithium-ion est réglé par les dispositions concernant le transport de produits dangereux. La préparation au transport et le transport devront être effectués uniquement par du personnel formé de façon adéquate. Tout le procédé devra être géré d'une manière professionnelle.

Durant le transport de batteries il faut respecter les consignes suivantes :

- S'assurer que les contacts soient protégés et isolés en vue d'éviter des courts-circuits.
- S'assurer que le groupe de batteries ne puisse pas se déplacer à l'intérieur de son emballage.
- Des batteries endommagées ou des batteries perdant du liquide ne devront pas être transportées.

Pour tout renseignement complémentaire veuillez vous adresser à votre transporteur professionnel.

ENTRETIEN

Utiliser uniquement les accessoires Milwaukee et les pièces détachées Milwaukee. Faire remplacer les composants dont le remplacement n'a pas été décrit, par un des centres de service après-vente Milwaukee (observer la brochure avec les adresses de garantie et de service après-vente).

En cas de besoin il est possible de demander un dessin éclaté du dispositif en indiquant le modèle de la machine et le numéro de six chiffres imprimé sur la plaquette de puissance et en s'adressant au centre d'assistance technique ou directement à Techtronic Industries GmbH, Max-Eyth-Straße 10, 71364 Winnenden, Germany.

SYMBOLES



ATTENTION! AVERTISSEMENT! DANGER!



Avant tous travaux sur la machine retirer l'accu interchangeable.



Veuillez lire avec soin le mode d'emploi avant la mise en service



Les dispositifs électriques ne sont pas à éliminer dans les déchets ménagers. Les dispositifs électriques et électroniques sont à collecter séparément et à remettre à un centre de recyclage en vue de leur élimination dans le respect de l'environnement.

S'adresser aux autorités locales ou au détaillant spécialisé en vue de connaître l'emplacement des centres de recyclage et des points de collecte.



Marque CE



Marque de qualité EurAsian

DATI TECNICI	AVVITATORE A BATTERIA	M18 CDD
Numero di serie	4523 23 01...4312 01 01...000001-999999
Ø Foratura in acciaio	13 mm
Ø Foratura in legno	45 mm
Avvitatore nel legno (senza preforatura)	9 mm
Numero di giri a vuoto in 1. velocità	0-550 min ⁻¹
Numero di giri a vuoto in 2. velocità	0-1850 min ⁻¹
Momento torcente (1,5 Ah / 2,0 Ah)*1	70 Nm
Momento torcente (3,0 Ah / 4,0 Ah)*1	80 Nm
Tensione batteria	18 V
Capacità mandrino	1,5-13 mm
Peso secondo la procedura EPTA 01/2003 (1,5 Ah / 2,0 Ah)	2,0 kg
Peso secondo la procedura EPTA 01/2003 (3,0 Ah / 4,0 Ah)	2,3 kg

Informazioni sulla rumorosità/sulle vibrazioni

Valori misurati conformemente alla norma EN 60 745.

La misurazione A della pressione del livello sonoro di un utensile di solito deve essere

Livello di rumorosità (Incertezza della misura K=3dB(A)) 76 dB (A)

Potenza della rumorosità (Incertezza della misura K=3dB(A)) 87 dB (A)

Utilizzare le protezioni per l'udito!

Valori totali delle oscillazioni (somma di vettori in tre direzioni)

misurati conformemente alla norma EN 60745

Valore di emissione dell'oscillazione a_n

Perforazione in metallo 1,32 m/s²

Incertezza della misura K= 2,28 m/s²

Avvitatura 1,32 m/s²

Incertezza della misura K= 2,28 m/s²

*1 Misurato conf. norma N 877318 Milwaukee

AVVERTENZA

Il livello di vibrazioni indicato nelle presenti istruzioni è stato misurato in conformità con un procedimento di misurazione codificato nella EN 60745 e può essere utilizzato per un confronto tra attrezzi elettrici. Inoltre si può anche utilizzare per una valutazione preliminare della sollecitazione da vibrazioni.

Il livello di vibrazioni indicato rappresenta le applicazioni principali dell'attrezzo elettrico. Se viceversa si utilizza l'attrezzo elettrico per altri scopi, con accessori differenti o con una manutenzione insufficiente, il livello di vibrazioni può risultare diverso. E questo può aumentare decisamente la sollecitazione da vibrazioni lungo l'intero periodo di lavorazione.

Ai fini di una valutazione precisa della sollecitazione da vibrazioni si dovrebbero tenere presente anche i periodi in cui l'apparecchio rimane spento oppure, anche se acceso, non viene effettivamente utilizzato. Ciò può ridurre notevolmente la sollecitazione da vibrazioni lungo l'intero periodo di lavorazione.

Stabilità misure di sicurezza supplementari per la tutela dell'operatore dall'effetto delle vibrazioni, come ad esempio: manutenzione dell'attrezzo elettrico e degli accessori, riscaldamento delle mani, organizzazione dei processi di lavoro.

AVVERTENZA! Leggere tutte le istruzioni ed indicazioni di sicurezza. In caso di mancato rispetto delle avvertenze di pericolo e delle istruzioni operative si potrà creare il pericolo di scosse elettriche, incendi e/o incidenti gravi.
Conservare tutte le avvertenze di pericolo e le istruzioni operative per ogni esigenza futura.

INDICAZIONI DI SICUREZZA PER TRAPANI

Impugnare l'apparecchio sulle superfici di tenuta isolate mentre si eseguono lavori durante i quali l'utensile da taglio potrebbe entrare in contatto con cavi di corrente. L'eventuale contatto dell'utensile da taglio con un cavo sotto tensione potrebbe mettere sotto tensione le parti metalliche dell'apparecchio e provocare una folgorazione.

INDICAZIONI DI SICUREZZA PER AVVITATORI

Quando si svolge un'operazione in cui la vite potrebbe entrare in contatto con conduttori elettriche nascoste impugnare l'apparecchio afferrandolo per le superfici isolate. La vite che entra in contatto con una conduttura in tensione può mettere sotto tensione le parti metalliche dell'apparecchio e causare scosse elettriche.

ULTERIORI AVVISI DI SICUREZZA E DI LAVORO

Usare dispositivi di protezione. Durante il lavoro con la macchina bisogna sempre portare occhiali di protezione. Si consiglia di indossare indumenti di protezione come maschera antipolvere, guanti di protezione, scarpe antiscivolo robuste, casco e cuffie di protezione acustica.

La polvere che si produce durante il lavoro è spesso dannosa per la salute e non dovrebbe essere aspirata. Portare un'adeguata mascherina protettiva.

E' vietato lavorare materiali che possono costituire pericoli alla salute (ad es. amianto).

Spegnere immediatamente il dispositivo in caso di bloccaggio! Non riaccendere il dispositivo fino a quando l'utensile ad inserto resta bloccato; esiste il rischio di causare un contraccolpo con elevato momento di reazione. Rilevare ed eliminare la causa del bloccaggio dell'utensile ad inserto tenendo conto delle indicazioni di sicurezza.

Le possibili cause sono:

- Incastro nel pezzo in lavorazione
- Il dispositivo ha attraversato il materiale da lavorare rompendolo
- Il dispositivo elettrico è stato sovraccaricato

Non avvicinare le mani alla parte della macchina in movimento.

Durante l'uso l'utensile ad inserto può surriscaldarsi.

AVVERTENZA! Pericolo di ustioni

- durante la sostituzione dell'utensile
- durante il deposito dell'utensile

Non rimuovere trucioli o schegge mentre l'utensile è in funzione.

Forando pareti, soffitti o pavimenti, si faccia attenzione ai cavi elettrici e alle condutture dell'acqua e del gas.

Fissare in sicurezza il pezzo in lavorazione con un dispositivo di serraggio. Pezzi in lavorazione che non siano fissati in sicurezza possono causare gravi lesioni e danni.

Prima di iniziare togliere la batteria dalla macchina.

Non gettare le batterie esaurite sul fuoco o nella spazzatura di casa. La Milwaukee offre infatti un servizio di recupero batterie usate.

Nel vano d'innesto per la batteria del caricatore non devono entrare parti metalliche (pericolo di cortocircuito).

Le batterie del System M18 sono ricaricabili esclusivamente con i caricatori del System M18. Le batterie di altri sistemi non possono essere ricaricate.

Non aprire né la batteria né il caricatore e conservarli solo in luogo asciutto. Proteggerli dalla umidità.

Nel caso di batterie danneggiate da un carico eccessivo o da temperature alte, l'acido di queste potrebbe fuoriuscire. In caso di contatto con l'acido delle batterie lavarsi immediatamente con acqua e sapone. In caso di contatto con gli occhi risciacquare immediatamente con acqua per almeno 10 minuti e contattare subito un medico.

UTILIZZO CONFORME

Il trapano-avvitatore Accu è utilizzabile universalmente per forare e avvitare indipendentemente dal collegamento elettrico.

Utilizzare il prodotto solo per l'uso per cui è previsto.

DICHIARAZIONE DI CONFORMITÀ CE

Dichiaro sotto la nostra esclusiva responsabilità che il prodotto descritto ai "Dati tecnici" corrisponde a tutte le disposizioni delle direttive 2011/65/EU (RoHS), 2004/108/CE, 2006/42/CE e successivi documenti normativi armonizzati:

EN 60745-1:2009 + A11:2010

EN 60745-2-1:2010

EN 60745-2-2:2010

EN 55014-1:2006 + A1:2009 + A2:2011

EN 55014-2:1997 + A1:2001 + A2:2008

EN 50581:2012

Winnenden, 2014-09-22

Alexander Krug

Alexander Krug
Managing Director



Autorizzato alla preparazione della documentazione tecnica

Techtronic Industries GmbH

Max-Eyth-Straße 10

71364 Winnenden

Germany

BATTERIE

Batterie non utilizzate per molto tempo devono essere ricaricate prima dell'uso.

A temperature superiori ai 50°C, la potenza della batteria si riduce.

Evitare di esporre l'accumulatore a surriscaldamento prolungato, dovuto ad esempio ai raggi del sole o ad un impianto di riscaldamento.

Per una durata di vita ottimale, dopo l'uso le batterie devono essere completamente ricaricate.

Per una più lunga durata, rimuovere le batterie dal caricabatterie quando saranno cariche.

In caso di immagazzinaggio della batteria per più di 30 giorni:

Immagazzinare la batteria a circa 27°C in ambiente asciutto.

Immagazzinare la batteria con carica di circa il 30% - 50%.

Ricaricare la batteria ogni 6 mesi.

DISPOSITIVO ANTISOVRACCARICO ACCUMULATORE

In caso di sovraccarico dell'accumulatore dovuto a consumo molto elevato di corrente, ad es. coppie di serraggio estremamente elevate, bloccaggio della punta, arresto improvviso o cortocircuito, l'elettroscopio romba per 2 secondi e poi si spegne automaticamente.

Per riaccenderlo, rilasciare l'interruttore e poi riaccenderlo.

Se sottoposto a carichi estremi, l'accumulatore può surriscaldarsi.

In questo caso l'accumulatore si spegne.

Inserire l'accumulatore nell'apparecchio carica-batterie per ricaricarlo e attivarlo.

TRASPORTO DI BATTERIE AGLI IONI DI LITIO

Le batterie agli ioni di litio sono soggette alle disposizioni di legge sul trasporto di merce pericolosa.

Il trasporto di queste batterie deve avvenire rispettando le disposizioni e norme locali, nazionali ed internazionali.

- Gli utilizzatori possono trasportare queste batterie su strada senza alcuna restrizione.
- Il trasporto commerciale di batterie agli ioni di litio è regolato dalle disposizioni sul trasporto di merce pericolosa. Le preparazioni al trasporto ed il trasporto stesso devono essere svolti esclusivamente da persone idoneamente istruite. Tutto il processo deve essere gestito in maniera professionale.

Durante il trasporto di batterie occorre tenere conto di quanto segue:

- Assicurarsi che i contatti siano protetti ed isolati per evitare corto circuiti.
- Accertarsi che il gruppo di batterie non possa spostarsi all'interno dell'imballaggio.
- Batterie danneggiate o batterie che perdono liquido non devono essere trasportate.

Per ulteriori informazioni si prega di contattare il proprio trasportatore.

MANUTENZIONE

Usare solo accessori Milwaukee e pezzi di ricambio Milwaukee. Gruppi costruttivi la cui sostituzione non è stata descritta, devono essere fatti cambiare da un punto di servizio di assistenza tecnica al cliente Milwaukee (vedi depliant garanzia/indirizzi assistenza tecnica ai clienti).

In caso di necessità è possibile richiedere un disegno esploso del dispositivo indicando il modello della macchina ed il numero a sei cifre sulla targa di potenza rivolgendosi al centro di assistenza tecnica o direttamente a Techtronic Industries GmbH, Max-Eyth-Straße 10, 71364 Winnenden, Germany.

SIMBOLI



ATTENZIONE! AVVERTENZA! PERICOLO!



Prima di iniziare togliere la batteria dalla macchina.



Leggere attentamente le istruzioni per l'uso prima di mettere in funzione l'elettroscopio.



I dispositivi elettrici non devono essere smaltiti con i rifiuti domestici. I dispositivi elettrici ed elettronici devono essere raccolti separatamente e devono essere conferiti ad un centro di riciclaggio per lo smaltimento rispettoso dell'ambiente.

Chiedere alle autorità locali o al rivenditore specializzato dove si trovano i centri di riciclaggio e i punti di raccolta.



Marchio CE



Marchio di conformità EurAsian

DATOS TÉCNICOS		ATORNILLADOR A BATERÍA		M18 CDD	
Número de producción	4523 23 01...	4312 01 01...
	000001-999999		
Diámetro de taladrado en acero	13 mm		
Diámetro de taladrado en madera	45 mm		
Tornillos para madera (sin pretaladrar)	9 mm		
Velocidad en vacío 1ª velocidad	0-550 min ⁻¹		
Velocidad en vacío 2ª velocidad	0-1850 min ⁻¹		
Par (1,5 Ah / 2,0 Ah)*1	70 Nm		
Par (3,0 Ah / 4,0 Ah)*1	80 Nm		
Voltaje de batería	18 V		
Gama de apertura del portabrocas	1,5-13 mm		
Peso de acuerdo con el procedimiento EPTA 01/2003 (1,5 Ah / 2,0 Ah)	2,0 kg		
Peso de acuerdo con el procedimiento EPTA 01/2003 (3,0 Ah / 4,0 Ah)	2,3 kg		

Información sobre ruidos / vibraciones

Determinación de los valores de medición según norma EN 60 745.

La presión acústica se eleva normalmente

Presión acústica (Tolerancia K=3dB(A))..... 76 dB (A)

Resonancia acústica (Tolerancia K=3dB(A))..... 87 dB (A)

Usar protectores auditivos!

Nivel total de vibraciones (suma vectorial de tres direcciones)

determinado según EN 60745.

Valor de vibraciones generadas a_n

taladrado en metal..... 1,32 m/s²

Tolerancia K = 2,28 m/s²

tornillos..... 1,32 m/s²

Tolerancia K = 2,28 m/s²

*1 Medido según norma Milwaukee N 877318

ADVERTENCIA

El nivel vibratorio indicado en estas instrucciones ha sido medido conforme a un método de medición estandarizado en la norma EN 60745, y puede utilizarse para la comparación entre herramientas eléctricas. También es apropiado para una estimación provisional de la carga de vibración.

El nivel vibratorio indicado representa las aplicaciones principales de la herramienta eléctrica. Si, pese a ello, se utiliza la herramienta eléctrica para otras aplicaciones, con útiles adaptables diferentes o con un mantenimiento insuficiente, el nivel vibratorio puede diferir. Esto puede incrementar sensiblemente la carga de vibración durante todo el periodo de trabajo.

Para una estimación exacta de la carga de vibración deberían tenerse en cuenta también los tiempos durante los que el aparato está apagado o, pese a estar en funcionamiento, no está siendo realmente utilizado. Esto puede reducir sustancialmente la carga de vibración durante todo el periodo de trabajo.

Adopte medidas de seguridad adicionales para la protección del operador frente al efecto de las vibraciones, como por ejemplo: mantenimiento de la herramienta eléctrica y de los útiles adaptables, mantener las manos calientes, organización de los procesos de trabajo.

⚠ ATENCIÓN: Lea atentamente las indicaciones e instrucciones de seguridad. En caso de no atenderse a las advertencias de peligro e instrucciones siguientes, ello puede ocasionar una descarga eléctrica, un incendio y/o lesión grave.

Guardar todas las advertencias de peligro e instrucciones para futuras consultas.

⚠ INSTRUCCIONES DE SEGURIDAD PARA TALADRADORAS

Sujete el aparato de las superficies aisladas de agarre al efectuar trabajos en los cuales la perforadora de percusión pueda entrar en contacto con conductores de corriente ocultos. El contacto con conductores portadores de tensión puede hacer que las partes metálicas del aparato le provoquen una descarga eléctrica.

⚠ INSTRUCCIONES DE SEGURIDAD PARA ATORNILLADORES

Sujete el aparato por las superficies de sujeción aisladas cuando realice trabajos en los que el tornillo puede alcanzar líneas de corriente eléctrica ocultas. El contacto del tornillo con una línea conductora de corriente puede poner las partes metálicas del aparato bajo tensión y provocar un choque eléctrico.

INSTRUCCIONES ADICIONALES DE SEGURIDAD Y LABORALES

Utilice el equipamiento de protección. Mientras trabaje con la máquina lleve siempre gafas protectoras. Se recomienda utilizar ropa de protección como máscara protectora contra el polvo, guantes protectores, calzado resistente y antideslizante, casco y protección para los oídos.

El polvo que se produce durante estos trabajos puede ser nocivo a la salud; es por ello aconsejable que no penetre al cuerpo. Utilice por ello una máscara protectora contra polvo.

No se deben trabajar materiales que conlleven un riesgo para la salud (por ej. amianto).

¡En caso de que se bloquee el útil, el aparato se debe desconectar inmediatamente! No vuelva a conectar el aparato, mientras el útil esté bloqueado; se podría producir un rechazo debido a la reacción de retroceso brusca. Averigüe y elimine la causa del bloqueo del útil, teniendo en cuenta las indicaciones de seguridad.

Causas posibles para ello pueden ser:

- Atascamiento o bloqueo en la pieza de trabajo
- Rotura del material con el que está trabajando
- Sobrecarga de la herramienta eléctrica

No introduzca las manos en la máquina mientras ésta se encuentra en funcionamiento.

El útil se puede calentar durante el uso.

ADVERTENCIA! Peligro de quemaduras

- en caso de cambiar la herramienta
- en caso de depositar el aparato

Nunca se debe intentar limpiar el polvo o viruta procedente del taladrado con la máquina en funcionamiento.

Para trabajar en paredes, techo o suelo, tenga cuidado para evitar los cables eléctricos y tuberías de gas o agua.

Fije la pieza de trabajo con un dispositivo de fijación. Las piezas de trabajo no fijadas pueden causar lesiones graves y deterioros.

Retire la batería antes de comenzar cualquier trabajo en la máquina.

No tire las baterías usadas a la basura ni al fuego. Los Distribuidores Milwaukee ofrecen un servicio de recogida de baterías antiguas para proteger el medio ambiente.

No almacene la batería con objetos metálicos (riesgo de cortocircuito).

Recargar solamente los acumuladores del Sistema M18 en cargadores M18. No intentar recargar acumuladores de otros sistemas.

No abra nunca las baterías ni los cargadores y guárdelos sólo en lugares secos. Protéjalos de la humedad en todo momento.

En caso de sobrecarga o alta temperatura, pueden llegar a producirse escapes de ácido provenientes de la batería. En caso de contacto con éste, limpie inmediatamente la zona con agua y jabón. Si el contacto es en los ojos, límpiese concienzudamente con agua durante 10 minutos y acuda inmediatamente a un médico

APLICACIÓN DE ACUERDO A LA FINALIDAD

El taladro/atornillador por acumulador está diseñado para trabajos de taladrado y atornillado para uso independiente lejos de suministro eléctrico.

No utilice este producto para ninguna otra aplicación que no sea su uso normal.

DECLARACION DE CONFORMIDAD CE

Declaramos bajo nuestra responsabilidad que el producto descrito bajo "Datos técnicos" está en conformidad con todas las normas relevantes de la directiva 2011/65/EU (RoHS), 2004/108/CE, 2006/42/CE y con las siguientes normas o documentos normalizados:

EN 60745-1:2009 + A11:2010

EN 60745-2-1:2010

EN 60745-2-2:2010

EN 55014-1:2006 + A1:2009 + A2:2011

EN 55014-2:1997 + A1:2001 + A2:2008

EN 50581:2012

Winnenden, 2014-09-22



Alexander Krug
Managing Director



Autorizado para la redacción de los documentos técnicos.

Techtronic Industries GmbH
Max-Eyth-Straße 10
71364 Winnenden
Germany

BATERÍA

Las baterías no utilizadas durante cierto tiempo deben ser recargadas antes de usar.

Las temperaturas superiores a 50°C reducen el rendimiento de la batería. Evite una exposición excesiva a fuentes de calor o al sol (riesgo de sobrecalentamiento).

Los puntos de contacto de los cargadores y las baterías se deben mantener limpios.

Para un tiempo de vida óptimo, deberán cargarse completamente las baterías después de su uso.

Para garantizar la máxima capacidad y vida útil, las baterías recargables se deberían retirar del cargador una vez finalizada la carga.

En caso de almacenar la batería recargable más de 30 días: Almacenar la batería recargable en un lugar seco a una temperatura de aproximadamente 27°C.

Almacenar la batería recargable con un estado de carga del 30% y 50% aproximadamente.

Recargar la batería cada 6 meses.

PROTECCIÓN CONTRA SOBRECARGA DE LA BATERÍA

En caso de sobrecarga del acumulador por consumo muy elevado de corriente, por ej. debido a pares muy elevados, agrietamiento del taladro, parada repentina o cortocircuito, la herramienta eléctrica zumbará durante 2 segundos y se desconectará automáticamente. Para reconectarla, libere primero el gatillo interruptor y después

conectarla de nuevo.

Bajo cargas extremas, el acumulador se puede calentar mucho. En este caso desconectar el acumulador.

Meta entonces la batería en el cargador para recargarla otra vez y activarla.

TRANSPORTE DE BATERÍAS DE IONES DE LITIO

Las baterías de iones de litio caen bajo las disposiciones legales relativas al transporte de mercancías peligrosas.

El transporte de estas baterías recargables debe llevarse a cabo, observando las normas y disposiciones locales, nacionales e internacionales.

- Los consumidores pueden transportar estas baterías recargables sin el menor reparo en la calle.
- El transporte comercial de baterías recargables de iones de litio por empresas de transportes está sometido a las disposiciones del transporte de mercancías peligrosas. Las preparaciones para el envío y el transporte deben ser llevados a cabo exclusivamente por personas instruidas adecuadamente. El proceso completo debe ser supervisado por personal competente.

Los siguientes puntos se deben observar para el transporte de las baterías recargables:

- Se debe asegurar que los contactos estén protegidos y aislados para evitar que se produzcan cortocircuitos.
- Preste atención a que el conjunto de baterías recargables no se pueda desplazar dentro del envase.
- Las baterías recargables deterioradas o derramadas no se deben transportar.

Rogamos que para cualquier información adicional se dirija a su empresa de transportes.

MANTENIMIENTO

Utilice solamente accesorios y repuestos Milwaukee. En caso de necesitar reemplazar componentes no descritos, contacte con cualquiera de nuestras estaciones de servicio Milwaukee (consultar lista de servicio técnicos)

Puede solicitar, en caso necesario, una vista despiezada del aparato bajo indicación del tipo de máquina y el número de seis dígitos en la placa indicadora de potencia en su Servicio de Postventa o directamente en Techtronic Industries GmbH, Max-Eyth-Straße 10, 71364 Winnenden, Germany.

SÍMBOLOS



¡ATENCIÓN! ¡ADVERTENCIA! ¡PELIGRO!



Retire la batería antes de comenzar cualquier trabajo en la máquina.



Lea las instrucciones detenidamente antes de conectar la herramienta



Los aparatos eléctricos no se deben eliminar junto con la basura doméstica. Los aparatos eléctricos y electrónicos se deben recoger por separado y se deben entregar a una empresa de reciclaje para una eliminación respetuosa con el medio ambiente. Infórmese en las autoridades locales o en su tienda especializada sobre los centros de reciclaje y puntos de recogida.



Marca CE

certificado EAC de conformidad

CARACTERÍSTICAS TÉCNICAS	BERBEQUIM A BATERIA	M18 CDD
Número de produção.....	4523 23 01...	
.....	4312 01 01...	
.....	000001-999999	
Ø de furo em aço	13 mm	
Ø de furo em madeira	45 mm	
Parafusos para madeira (sem furo prévio)	9 mm	
Nº de rotações em vazio na 1ª velocidade	0-550 min ⁻¹	
Nº de rotações em vazio na 2ª velocidade	0-1850 min ⁻¹	
Binário (1,5 Ah / 2,0 Ah)*1	70 Nm	
Binário (3,0 Ah / 4,0 Ah)*1	80 Nm	
Tensão do acumulador	18 V	
Capacidade da bucha	1,5-13 mm	
Peso nos termos do procedimento-EPTA 01/2003 (1,5 Ah / 2,0 Ah)	2,0 kg	
Peso nos termos do procedimento-EPTA 01/2003 (3,0 Ah / 4,0 Ah)	2,3 kg	

Informações sobre ruído/vibração

Valores de medida de acordo com EN 60 745.

Normalmente o nível de pressão de ruído da ferramenta é

Nível da pressão de ruído (Incertez K=3dB(A)) 76 dB (A)

Nível da potência de ruído (Incertez K=3dB(A)) 87 dB (A)

Use protectores auriculares!

Valores totais de vibração (soma dos vectores das três direcções)

determinadas conforme EN 60745.

Valor de emissão de vibração a_n

Furar em metal 1,32 m/s²

Incerteza K= 2,28 m/s²

Parafusos 1,32 m/s²

Incerteza K= 2,28 m/s²

*1 Medido em conformidade com a Milwaukee Standard N 877318

ATENÇÃO

O nível vibratório indicado nestas instruções foi medido em conformidade com um procedimento de medição normalizado na EN 60745 e pode ser utilizado para comparar entre si ferramentas eléctricas. O mesmo é também adequado para avaliar provisoriamente o esforço vibratório.

O nível vibratório indicado representa as principais aplicações da ferramenta eléctrica. Se, no entanto, a ferramenta eléctrica for utilizada para outras aplicações, com outras ferramentas adaptadas ou uma manutenção insuficiente, o nível vibratório poderá divergir. Isto pode aumentar consideravelmente o esforço vibratório ao longo de todo o período do trabalho.

Para uma avaliação exacta do esforço vibratório devem também ser considerados os tempos durante os quais o aparelho está desligado ou está a funcionar, mas não está efectivamente a ser utilizado. Isto pode reduzir consideravelmente o esforço vibratório ao longo de todo o período do trabalho.

Defina medidas de segurança suplementares para proteger o operador do efeito das vibrações, como por exemplo: manutenção da ferramenta eléctrica e das ferramentas adaptadas, manter as mãos quentes, organização das sequências de trabalho.

⚠ ADVERTÊNCIA! Leia todas as instruções de segurança e todas as instruções. O desrespeito das advertências e instruções apresentadas abaixo pode causar choque eléctrico, incêndio e/ou graves lesões.
Guarde bem todas as advertências e instruções para futura referência.

⚠ INSTRUÇÕES DE SEGURANÇA PARA BERBEQUINS

Segure o aparelho nas superfícies de punho isoladas se estiver a executar trabalhos, nos quais a ferramenta de corte pode tocar em linhas eléctricas escondidas. O contacto com um cabo com tensão também pode as partes metálicas do aparelho sob tensão e leva a choque eléctrico.

⚠ INSTRUÇÕES DE SEGURANÇA PARA APARAFUSADORAS

Segure o aparelho pela superfície isoladora do punho, se executar trabalhos nos quais o parafuso possa tocar em linhas eléctricas ocultas. O contacto do parafuso com uma linha sob tensão pode também colocar peças metálicas do aparelho sob tensão e provocar um choque eléctrico.

INSTRUÇÕES DE SEGURANÇA E TRABALHO SUPLEMENTARES

Utilizar equipamento de protecção. Durante os trabalhos com a máquina, usar sempre óculos de protecção. Vestuário de protecção, bem como máscara de pó, sapatos fechados e antiderrapante, capacete e protecção auditiva são recomendados.

O pó que resulta ao trabalhar pode ser nocivo para a saúde, por isso não devendo penetrar no corpo. Use uma máscara de protecção contra pó apropriada.

Não devem ser processados materiais que representem um perigo para a saúde (p. ex. asbesto).

Desligue o aparelho imediatamente, quando a ferramenta de inserção bloquear! Não ligue o aparelho novamente durante o bloqueio da ferramenta de inserção, pois isso pode levar a um recuo repentino com uma alta força reactiva. Verifique e elimine a causa do bloqueio da ferramenta de inserção, observando as instruções de segurança.

Causas possíveis podem ser:

- Emperramento na peça a trabalhar
- Material a processar rompido
- Sobrecarga da ferramenta eléctrica

Não toque na máquina em operação.

A ferramenta de inserção pode ficar quente durante a operação.

ATENÇÃO! Perigo de queimar-se

- na troca das ferramentas
- ao depositar o aparelho

Não remover aparas ou lascas enquanto a máquina trabalha.

Ao trabalhar em paredes, tectos e soalhos prestar atenção a que não sejam atingidos cabos eléctricos e canalizações de gás e água.

Fixe a peça a trabalhar com um dispositivo de fixação. Peças a trabalhar não fixadas podem levar a feridas graves e danos sérios.

Antes de efectuar qualquer intervenção na máquina retirar o bloco acumulador.

Não queimar acumuladores gastos nem deitá-los no lixo doméstico. A Milwaukee possui uma eliminação de acumuladores gastos que respeita o meio ambiente.

Não guardar acumuladores junto com objectos metálicos (perigo de curto-circuito).

Use apenas carregadores do Sistema M18 para recarregar os acumuladores do Sistema M18. Não utilize acumuladores de outros sistemas.

Carregadores só devem ser utilizados em recintos secos.

Em caso de cargas ou temperaturas extremas, um acumulador de substituição danificado poderá verter líquido de bateria. Se entrar em contacto com este líquido, deverá lavar-se imediatamente com água e sabão. Em caso de contacto com os olhos, enxague-os bem e de imediato durante pelo menos 10 minutos e consulte um médico o mais depressa possível.

UTILIZAÇÃO AUTORIZADA

O berbequim aparafusador sem fio pode ser aplicado universalmente para furar e aparafusar sem necessidade de ligar a máquina à rede.

Não use este produto de outra maneira sem ser a normal para o qual foi concebido.

DECLARAÇÃO DE CONFORMIDADE CE

Declaramos sob responsabilidade exclusiva, que o produto descrito sob "Dados técnicos" corresponde com todas as disposições relevantes da diretiva 2011/65/EU (RoHS), 2004/108/CE, 2006/42/CE e dos seguintes documentos normativos harmonizados.

EN 60745-1:2009 + A1:2010

EN 60745-2-1:2010

EN 60745-2-2:2010

EN 55014-1:2006 + A1:2009 + A2:2011

EN 55014-2:1997 + A1:2001 + A2:2008

EN 50581:2012

Winnenden, 2014-09-22



Alexander Krug
Managing Director

Autorizado a reunir a documentação técnica.

Techtronic Industries GmbH

Max-Eyth-Straße 10

71364 Winnenden

Germany



ACUMULADOR

Acumuladores não utilizados durante algum tempo devem ser recarregados antes da sua utilização.

Temperaturas acima de 50°C reduzem a capacidade do bloco acumulador. Evitar exposição prolongada ao sol ou a caloríferos.

Manter limpos os contactos eléctricos no carregador e no bloco acumulador.

Para uma vida útil óptima dos acumuladores, terá que carregá-los plenamente após a sua utilização.

Para assegurar uma vida útil longa, o pacote de bateria deve ser removido da carregadora depois do carregamento.

Se o pacote de bateria for armazenado por mais de 30 dias: Armazene o pacote de bateria com aprox. 27°C em um lugar seco.

Armazene o pacote de bateria com aprox. 30%-50% da carga completa.

Carregue o pacote de bateria novamente de 6 em 6 meses.

PROTECÇÃO DE SOBRECARGA DE BATERIA

No caso de sobrecarga da bateria devido a um consumo de corrente demasiado elevado, por exemplo um binário de rotação extremamente elevado, um bloqueio da broca, uma paragem repentina ou um curto-circuito, a ferramenta eléctrica vibra durante 2 segundos e desliga-se automaticamente.

Para a ligar novamente, desligar e voltar a ligar o interruptor. Sob condições extremas, a bateria pode aquecer demasiado. Neste caso a bateria desliga-se.

Voltar então a colocar o acumulador no carregador para o carregar de novo e para assim o activar.

TRANSPORTE DE BATERIAS DE IÃO-LÍLIO

Baterias de ião-lítio estão sujeitas às disposições da legislação relativa às substâncias perigosas.

O transporte destas baterias deve ser efectuado de acordo com as disposições e os regulamentos locais, nacionais e internacionais.

- O utilizador pode efectuar o transporte rodoviário destas baterias sem restrições.
- O transporte comercial de baterias de ião-lítio por terceiros está sujeito aos regulamentos relativos às substâncias perigosas. A preparação do transporte e o transporte devem ser executados exclusivamente por pessoas instruídas e o processo deve ser acompanhado pelos especialistas correspondentes.

Observe o seguinte no transporte de baterias:

- Assegure-se de que os contactos terminais estejam protegidos e isolados para evitar um curto-circuito.
- Assegure-se de que o bloco da bateria esteja protegido contra movimentos na embalagem.
- Não transporte baterias danificadas ou que tenham fuga.

Para instruções mais detalhadas consulte a companhia de transportes

MANUTENÇÃO

Utilizar apenas acessórios Milwaukee e peças sobresselentes Milwaukee. Os componentes cuja substituição não esteja descrita devem ser substituídos num serviço de assistência técnica Milwaukee (consultar a brochura relativa à garantia/moradas dos serviços de assistência técnica).

Se for necessário, um desenho de explosão do aparelho pode ser solicitado do seu posto de assistência ao cliente ou directamente da Techtronic Industries GmbH, Max-Eyth-Straße 10, 71364 Winnenden, Alemanha, indicando o tipo da máquina e o número de seis posições na chapa indicadora da potência.

SYMBOLS



ATENÇÃO! PERIGO!



Antes de efectuar qualquer intervenção na máquina retirar o bloco acumulador.



Leia atentamente o manual de instruções antes de colocar a máquina em funcionamento.



Aparelhos eléctricos não devem ser jogados no lixo doméstico.

Aparelhos eléctricos e electrónicos devem ser colectados separadamente e entregues a uma empresa de reciclagem para a eliminação correcta.

Solicite informações sobre empresas de reciclagem e postos de colecta de lixo das autoridades locais ou do seu vendedor autorizado.



Marca CE



Marca de conformidade EurAsian.

TECHNISCHE GEGEVENS ACCU-BOORSCHROEFMACHINE M18 CDD

Productienummer	4523 23 01...
.....	4312 01 01...
.....	000001-999999
Boor-Ø in staal	13 mm
Boor-Ø in hout	45 mm
Houtschroeven (zonder voorboren).....	9 mm
Onbelast toerental in stand 1.....	0-550 min ⁻¹
Onbelast toerental in stand 2.....	0-1850 min ⁻¹
Draaimoment (1,5 Ah / 2,0 Ah)*1.....	70 Nm
Draaimoment (3,0 Ah / 4,0 Ah)*1.....	80 Nm
Spanning wisselakku	18 V
Spanwijdte boorhouder.....	1,5-13 mm
Gewicht volgens de EPTA-procedure 01/2003 (1,5 Ah / 2,0 Ah).....	2,0 kg
Gewicht volgens de EPTA-procedure 01/2003 (3,0 Ah / 4,0 Ah).....	2,3 kg

Geluids-/trillingsinformatie

Meetwaarden vastgesteld volgens EN 60 745.

Het kenmerkende A-gewaardeerde geluidsdruk niveau van de machine bedraagt

Geluidsdruk niveau (Onzekerheid K=3dB(A))	76 dB (A)
Geluidsvermogen niveau (Onzekerheid K=3dB(A))	87 dB (A)

Draag oorbeschermers!

Totale trillingswaarden (vectorsom van drie richtingen) bepaald volgens EN 60745.

Trillingsemisiewaarde a _p	
Boren in metaal	1,32 m/s ²
Onzekerheid K=	2,28 m/s ²
Schroeven	1,32 m/s ²
Onzekerheid K=	2,28 m/s ²

*1 Gemeten volgens de Milwaukee Standard N 877318

WAARSCHUWING

De in deze aanwijzingen vermelde trillingsdruk is gemeten volgens een in EN 60745 genoemde meetmethode en kan worden gebruikt voor de onderlinge vergelijking van apparaten. Hij is ook geschikt voor een voorlopige inschatting van de trillingsbelasting.

De aangegeven trillingsdruk geldt voor de meest gebruikelijke toepassingen van het elektrische apparaat. Wanneer het elektrische gereedschap echter voor andere doeleinden, met andere dan de voorgeschreven hulpstukken gebruikt of niet naar behoren onderhouden wordt, kan de trillingsdruk afwijken. Dit kan de waarde van de trillingsdruk over de hele werkperiode aanzienlijk verhogen.

Voor een nauwkeurige inschatting van de trillingsdruk moeten ook de tijden in aanmerking worden genomen dat het apparaat uitgeschakeld is of weliswaar loopt, maar niet werkelijk in gebruik is. Dit kan de waarde van de trillingsdruk over de hele werkperiode aanzienlijk verminderen.

Bepaal extra veiligheidsmaatregelen ter bescherming van de bediener tegen de inwerking van trillingen, bijvoorbeeld: onderhoud van elektrische gereedschappen en apparaten, warmhouden van de handen, organisatie van de werkprocessen.

⚠ WAARSCHUWING! Lees alle veiligheidsinstructies en aanwijzingen. Als de waarschuwingen en voorschriften niet worden opgevolgd, kan dit een elektrische schok, brand of ernstig letsel tot gevolg hebben.
Bewaar alle waarschuwingen en voorschriften voor toekomstig gebruik.

⚠ VEILIGHEIDINSTRUCTIES VOOR BOORMACHINES

Houd het apparaat alléén aan de geïsoleerde grijpvlakken vast, wanneer u werkzaamheden uitvoert waarbij het snijgereedschap verborgen stroomleidingen zou kunnen raken. Het contact met een onder spanning staande leiding zet ook de metalen machinedelen onder spanning en leidt tot een elektrische schok.

⚠ VEILIGHEIDINSTRUCTIES VOOR SCHROEVENDRAAIERS

Houd het apparaat alléén vast aan de geïsoleerde grijpvlakken als u werkzaamheden uitvoert waarbij de schroef verborgen stroomleidingen zou kunnen raken. Het contact van de schroef met een spanningvoerende leiding kan de metalen apparaatdelen onder spanning zetten en zo tot een elektrische schok leiden.

VERDERE VEILIGHEIDS- EN WERKINSTRUCTIES

Draag veiligheidsuitrusting. Bij werkzaamheden met de machine dient u altijd een veiligheidsbril te dragen. Veiligheidskleding zoals stofmasker, veiligheidshandschoenen, stevig en slipvast schoeisel, helm en gehoorbescherming worden aanbevolen.

Het gedurende het werken vrijkomende stof is doorgaans schadelijk voor de gezondheid en mag niet met het lichaam in aanraking komen. Draag derhalve een geschikt stofbeschermingsmasker.

Het is niet toegestaan, materialen te bewerken waarvan een gezondheidsgevaar uitgaat (bijv. asbest).

Schakel het apparaat onmiddellijk uit als het gereedschap geblokkeerd is; dit zou een terugslag met een hoog reactiemoment kunnen veroorzaken. Achterhaal en verhelp de oorzaak voor de blokkering van het gereedschap met inachtneming van de veiligheidsinstructies.

Mogelijke oorzaken voor de blokkering:

- kantelen in het te bewerken werkstuk
- doorbreken van het te bewerken materiaal
- overbelasting van het elektrische gereedschap

Grijp niet in de lopende machine.

Het gereedschap kan heet worden tijdens het gebruik.

WAARSCHUWING! Gevaar voor verbranding

- bij het vervangen van het gereedschap
- bij het neerleggen van het apparaat

Spanen of splinters mogen bij draaiende machine niet worden verwijderd.

Bij het werken in wanden, plafonds of vloeren oppassen voor elektriciteitsdraden, gas- of waterleidingen.

Borg uw werkstuk met behulp van een spaninrichting. Niet geborgde werkstukken kunnen ernstig letsel en grote schade veroorzaken.

Voor alle werkzaamheden aan de machine de akku verwijderen. Verbruikte akku's niet in het vuur of bij het huisvuil werpen. Milwaukee biedt namelijk een milieuvriendelijke recyclingmethode voor uw oude akku's.

Wisselakku's niet bij metalen voorwerpen bewaren (kortsluitingsgevaar!) .

Wisselakku's van het Akku-Systeem M18 alléén met laadapparaten van het Akku-Systeem M18 laden. Geen akku's van andere systemen laden.

Wisselakku's en laadapparaten niet openen en alleen in droge ruimtes opslaan. Tegen vocht beschermen.

Onder extreme belasting of extreme temperaturen kan uit de accu accu-vloeistof lopen. Na contact met accu-vloeistof direct afwassen met water en zeep. Bij oogcontact direct minstens 10 minuten grondig spoelen en onmiddellijk een arts raadplegen.

VOORGESCHREVEN GEBRUIK VAN HET SYSTEEM

De akku-boorschroevendraaier is te gebruiken voor boor-en schoefwerkzaamheden, onafhankelijk van een netaansluiting.

Dit apparaat uitsluitend gebruiken voor normaal gebruik, zoals aangegeven.

EC - VERKLARING VAN OVEREENSTEMMING

Wij verklaren in uitsluitende verantwoording dat het onder 'Technische gegevens' beschreven product overeenstemt met alle relevante voorschriften van de richtlijn 2011/65/EU (RoHS), 2004/108/EG, 2006/42/EG en de volgende geharmoniseerde normatieve documenten:

EN 60745-1:2009 + A11:2010
EN 60745-2-1:2010
EN 60745-2-2:2010
EN 55014-1:2006 + A1:2009 + A2:2011
EN 55014-2:1997 + A1:2001 + A2:2008
EN 50581:2012

Winnenden, 2014-09-22



Alexander Krug
Managing Director



Gemachtigd voor samenstelling van de technische documenten
Techtronic Industries GmbH
Max-Eyth-Straße 10
71364 Winnenden
Germany

AKKU

Langere tijd niet toegepaste wisselakku's vóór gebruik altijd naladen.

Een temperatuur boven de 50°C vermindert de capaciteit van de accu. Langdurige verwarming door zon of hitte vermijden.

De aansluitcontacten aan het laadapparaat en de akku schoonhouden.

Voor een optimale levensduur moeten de accu's na het gebruik volledig opgeladen worden.

Voor een zo lang mogelijke levensduur van de accu's dienen deze na het opladen uit het laadtoestel te worden verwijderd.

Bij een langere opslag van de accu dan 30 dagen:

accu bij ca. 27 °C droog bewaren.

accu bij ca. 30 % - 50 % van de laadtoestand bewaren.

accu om de 6 maanden opnieuw opladen.

OVERBELASTINGSBEVEILIGING VAN DE ACCU

Bij overbelasting van de accu door een zeer hoog stroomverbruik, bijv. extreem hoge draaimomenten, klemmen van de boor, plotseling stoppen of kortsluiting, vibreert het elektrische gereedschap gedurende 2 seconden en schakelt dan automatisch uit.

Om het gereedschap weer in te schakelen, moet u de

drukschakelaar loslaten en vervolgens weer inschakelen. Onder extreme belastingen wordt de accu te heet. In dit geval schakelt hij uit.
Steek de accu in het laadtoestel om hem weer op te laden en te activeren.

TRANSPORT VAN LITHIUM-IONEN-ACCU'S

Lithium-ionen-accu's vallen onder de wettelijke bepalingen inzake het transport van gevaarlijke goederen.

Voor het transport van deze accu's moeten de lokale, nationale en internationale voorschriften en bepalingen in acht worden genomen.

- Verbruikers mogen deze accu's zonder meer over de weg transporteren.
- Het commerciële transport van lithium-ionen-accu's door expeditiebedrijven is onderhevig aan de bepalingen inzake het transport van gevaarlijke goederen. De verzendingsvoorbereidingen en het transport mogen uitsluitend worden uitgevoerd door dienovereenkomstig opgeleide personen. Het complete proces moet vakkundig worden begeleid.

Onderstaande punten moeten bij het transport van accu's in acht worden genomen:

- Waarborg ter vermijding van kortsluitingen dat de contacten beschermd en geïsoleerd zijn.
- Let op dat het accupack in de verpakking niet kan verschuiven.
- Beschadigde of lekkende accu's mogen niet worden getransporteerd.

Neem voor meer informatie contact op met uw expeditiebedrijf.

ONDERHOUD

Gebruik uitsluitend Milwaukee toebehoren en onderdelen. Indien componenten die moeten worden vervangen niet zijn beschreven, neem dan contact op met een officieel Milwaukee servicecentrum (zie onze lijst met servicecentra).

Zo nodig kan een explosietekening van het apparaat worden aangevraagd bij uw klantenservice of direct bij Techtronic Industries GmbH, Max-Eyth-Straße 10, 71364 Winnenden, Duitsland onder vermelding van het machinetype en het zescijferige nummer op het typeplaatje.

SYMBOLEN

OPGELET! WAARSCHUWING! GEVAAR!



Voor alle werkzaamheden aan de machine de akku verwijderen.



Graag instructies zorgvuldig doorlezen vóórdat u de machine in gebruik neemt.



Elektrische apparaten mogen niet via het huisafval worden afgevoerd. Elektrische en elektronische apparaten moeten gescheiden worden verzameld en voor een milieuvriendelijke afvoer worden afgegeven bij een recyclingbedrijf. Informeer bij uw gemeente of bij uw vakhandelaar naar recyclingbedrijven en inzamel punten.



CE-keurmerk

EurAsian-symbool van overeenstemming.

TEKNISKE DATA	AKKU BORE-/SKRUEMASKINE	M18 CDD
Produktionsnummer	4523 23 01...	
.....	4312 01 01...	
.....	000001-999999	
Bor-Ø i stål	13 mm	
Bor-Ø i træ	45 mm	
Træskruer (uden forboring)	9 mm	
Omdrejningstal, ubelastet i 1. gear	0-550 min ⁻¹	
Omdrejningstal, ubelastet i 2. gear	0-1850 min ⁻¹	
Drejningsmoment (1,5 Ah / 2,0 Ah)*1	70 Nm	
Drejningsmoment (3,0 Ah / 4,0 Ah)*1	80 Nm	
Udskiftningsbatteriets spænding	18 V	
Borepatronspændevide	1,5-13 mm	
Vægt svarer til EPTA-procedure 01/2003 (1,5 Ah / 2,0 Ah)	2,0 kg	
Vægt svarer til EPTA-procedure 01/2003 (3,0 Ah / 4,0 Ah)	2,3 kg	

Støj/Vibrationsinformation

Måleværdier beregnes iht. EN 60 745.

Værktøjets A-vægtede lydtrykniveau er typisk

Lydtrykniveau (Usikkerhed K=3dB(A)) 76 dB (A)

Lydeffekt niveau (Usikkerhed K=3dB(A)) 87 dB (A)

Brug høreværn!

Samlede vibrationsværdier (værdisum for tre retninger) beregnet

ih. EN 60745.

Vibrationseksponering a_h

Boring i metal 1,32 m/s²

Usikkerhed K= 2,28 m/s²

Skruing 1,32 m/s²

Usikkerhed K= 2,28 m/s²

*1 Målt i.h.t. Milwaukee Standard N 877318

ADVARSEL

Svingningsniveauet, som er angivet i disse anvisninger, er målt i henhold til standardiseret måleprocedure ifølge EN 60745 og kan anvendes til indbyrdes sammenligning mellem el-værktøjer. Svingningsniveauet er ligeledes egnet som foreløbigt skøn over svingningsbelastningen.

Det angivne svingningsniveau er baseret på el-værktøjets primære anvendelsesformål. Hvis el-værktøjet benyttes til andre formål, med andet indsatsværktøj eller ikke vedligeholdes tilstrækkeligt, kan svingningsniveauet afvige. Dette kan øge svingningsbelastningen over den samlede arbejdsperiode betydeligt.

For en nøjagtig vurdering af svingningsbelastningen skal der også tages højde for de tidsperioder, hvor apparatet er slukket, eller hvor apparatet kører, men uden at være i anvendelse. Dette kan reducere svingningsbelastningen over den samlede arbejdsperiode betydeligt.

Supplerende sikkerhedsforanstaltninger til beskyttelse af brugeren mod påvirkninger fra svingninger skal iværksættes, f.eks.:

Vedligeholdelse af el-værktøj og indsatsværktøj, varmholdelse af hænder, organisering af arbejdsprocesser.

ADVARSEL! Læs alle sikkerhedsinformationer og instruktioner.

I tilfælde af manglende overholdelse af advarselshenvisningerne og instrukserne er der risiko for elektrisk stød, brand og/eller alvorlige kvæstelser.

Opbevar alle advarselshenvisninger og instrukser til senere brug.

VEILIGHEIDSINSTRUCTIES VOOR BOORMACHINES

Houd het apparaat alléén aan de geïsoleerde grijpvlakken vast, wanneer u werkzaamheden uitvoert waarbij het snijgereedschap verborgen stroomleidingen zou kunnen raken. Het contact met een onder spanning staande leiding zet ook de metalen machinedelen onder spanning en leidt tot een elektrische schok.

VEILIGHEIDSINSTRUCTIES VOOR SCHROEVENDRAAIERS

Houd het apparaat alléén vast aan de geïsoleerde grijpvlakken als u werkzaamheden uitvoert waarbij de schroef verborgen stroomleidingen zou kunnen raken. Het contact van de schroef met een spanningvoerende leiding kan de metalen apparaatdelen onder spanning zetten en zo tot een elektrische schok leiden.

YDERLIGERE SIKKERHEDS- OG ARBEJDSINFORMATIONER

Brug beskyttelsesudstyr. Bær altid sikkerhedsbriller, når du arbejder med maskinen. Vi anbefaler desuden brug af personlig beskyttelsesudrustning, såsom støvmaske, sikkerhedshandsker, fast og skridsikkert skotøj, hjelm og høreværn.

Støv, som opstår under arbejdet, er ofte sundhedsfarligt og bør ikke trænge ind i kroppen. Benyt egnet åndedrætsværn.

Der må ikke bearbejdes nogen materialer, der kan udgøre en sundhedsrisiko (f.eks. asbest).

Sluk straks for maskinen, hvis indsatsværktøjet er blokeret! Tænd ikke for maskinen igen, så længe indsatsværktøjet er blokeret; dette kan føre til et tilbageslag med højt reaktionsmoment. Find frem til og afhjælp årsagen til indsatsværktøjets blokering under hensyntagen til sikkerhedsinstruktionerne.

Mulige årsager hertil kan være:

- at det sidder i klemme i emnet der bearbejdes
- at det har brækket materialet der bearbejdes
- at el-værktøjet er overbelastet

Grib ikke ind i maskinen, når den kører.

Indsatsværktøjet kan blive varmt under brugen.

ADVARSEL! Fare for forbrændinger

- ved værktøjsskift
- når man lægger maskinen fra sig

Spåner eller splinter må ikke fjernes, medens maskinen kører.

Ved arbejdsboring i væg, loft eller gulv skal man passe på elektriske kabler, gas- og vandledninger.

Sørg for at sikre dit emne med en spændeanordning. Ikke sikrede emner kan forårsage alvorlige kvæstelser og beskadigelser.

Ved arbejde inden i maskinen, bør batteriet tages ud.

Opbrugte udskiftningsbatterier må ikke brændes eller kasseres sammen med alm. husholdningsaffald. Milwaukee har en miljørigtig bortskaftelse af gamle udskiftningsbatterier, henvend Dem til Deres forhandler.

Opbevar ikke udskiftningsbatterier sammen med metalgenstande af fare for kortslutning.

Brug kun M18 ladeapparater for opladning af System M18 batterier.

Udskiftningsbatterier og opladere må ikke åbnes og skal opbevares i tørre rum. Beskyt dem mod fugtighed.

I tilfælde af en ekstrem belastning eller ekstrem temperatur kan der flyde batterivæske ud af et beskadiget batteri. Hvis De kommer i berøring med batterivæsken, skal den vaskes godt og grundigt af med vand og sæbe. I tilfælde af øjenkontakt, skal man mindst skylle øjnene godt og grundigt igennem i 10 minutter og omgående opsøge en læge.

TILTÆNKT FORMÅL

Akku bore-/skruemaskinen kan bruges universelt til boring og skruing uafhængigt af en nettilslutning.

Produktet må ikke anvendes på anden måde og til andre formål end foreskrevet.

CE-KONFORMITETSERKLÆRING

Vi erklærer som eneansvarlig, at det under "Tekniske data" beskrevne produkt stemmer overens med alle relevante forskrifter, der følger af direktiv 2011/65/EU (RoHS), 2004/108/EF, 2006/42/EF samt af følgende harmoniserede normative dokumenter:

EN 60745-1:2009 + A11:2010

EN 60745-2-1:2010

EN 60745-2-2:2010

EN 55014-1:2006 + A1:2009 + A2:2011

EN 55014-2:1997 + A1:2001 + A2:2008

EN 50581:2012

Winnenden, 2014-09-22



Alexander Krug
Managing Director



Autoriseret til at udarbejde de tekniske dokumenter.

Techtronic Industries GmbH
Max-Eyth-Straße 10
71364 Winnenden
Germany

BATTERI

Udskiftningsbatterier, der ikke har været brugt i længere tid, efterlades inden brug.

Ved temperaturer over 50°C formindskes batteriets effekt. Undgå direkte sollys og stærk varme.

Tilslutningskontakterne på oplader og udskiftningsbatterier skal holdes rene.

For at opnå en optimal levetid skal de genopladelige batterier oplades fuldt efter brug.

For at sikre en så lang levetid som muligt skal batterierne tages ud af ladeaggregatet efter opladning.

Skal batterierne opbevares længere end 30 dage:

Temperatur ca. 27°C i tørre omgivelser.

Opbevares ved ca. 30%-50% af ladetilstanden.

Batteri skal genoplades hver 6. måned.

OVERBELASTNINGSSIKRING FOR BATTERI

Overbelastes batteriet på grund af meget højt strømforbrug, f.eks. som følge af ekstremt høje drejningsmomenter, fastklemning af bor, pludseligt stop eller kortslutning, brummer el-værktøjet i 2 sekunder og slukker så af sig selv.

For at tænde igen slipper du trykknappen og tænder el-værktøjet på ny.

Under ekstreme belastninger kan batteriet blive meget varmt. I så fald kobler batteriet fra.

Sæt batteriet i ladeadapteren for at genoplade det og aktivere det.

TRANSPORT AF LITHIUM-BATTERIER

Lithium-batterier er omfattet af lovgivningen om transport af farligt gods.

Transporten af disse batterier skal ske under overholdelse af lokale, nationale og internationale regler og bestemmelser.

- Forbrugere må transportere disse batterier på veje uden yderligere krav.
- Den kommercielle transport af lithium-batterier ved speditionsfirmaer er omfattet af reglerne for transport af farligt gods. Forberedelsen af forsendelse og transport må kun udføres af tilsvarende træned personer. Den samlede proces skal følges af fagfolk.

Følgende punkter skal overholdes ved transport af batterier:

- Sørg for at kontakterne er beskyttet og isoleret for at forhindre kortslutninger.
- Sørg for at batteripakken ikke kan bevæge sig inden for emballagen.
- Beskadigede eller lækkende batterier må ikke transporteres.

Kontakt dit speditionsfirma for at få yderligere oplysninger.

VEDLIGEHOLDELSE

Brug kun Milwaukee-tilbehør og Milwaukee-reservedele.

Komponenter, hvor udskiftningsproceduren ikke er beskrevet, skal skiftes ud hos et Milwaukee-servicecenter (se brochure garanti/kundeserviceadresser).

Hvis det er nødvendigt, kan der bestilles en sprængskitse af værktøjet. Angiv herved venligst maskintypen samt det seksificrede nummer på mærkepladen og bestil tegningen hos din lokale kundeserviceafdeling eller direkte hos Techtronic Industries GmbH, Max-Eyth-Straße 10, 71364 Winnenden, Tyskland.

SYMBOLER



VIGTIGT! ADVARSEL! FARE!



Ved arbejde inden i maskinen, bør batteriet tages ud.



Læs brugsanvisningen nøje før ibrugtagning.



Elektrisk udstyr må ikke bortskaftes sammen med det almindelige husholdningsaffald. Elektrisk og elektronisk udstyr skal indsamles særskilt og afleveres hos en genbrugsvirksomhed til en miljømæssig forsvarlig bortskaftelse. Spørg de lokale myndigheder eller din forhandler om genbrugsstationer og indsamlingssteder til sådant affald.



CE-mærke



EurAsian overensstemmelsesmærke.

TEKNISKE DATA	BATTERIDREVT BORSKRUTREKKER	M18 CDD
Produksjonsnummer.....	4523 23 01...	
.....	4312 01 01...	
.....	000001-999999	
Bor-Ø i stål.....	13 mm	
Bor-Ø i treverk=.....	45 mm	
Treskruer (uten forboring).....	9 mm	
Tomgangsturtall i 1. gir.....	0-550 min ⁻¹	
Tomgangsturtall i 2. gir.....	0-1850 min ⁻¹	
Dreiemoment (1,5 Ah / 2,0 Ah)*1.....	70 Nm	
Dreiemoment (3,0 Ah / 4,0 Ah)*1.....	80 Nm	
Spenningsvekselbatteri.....	18 V	
Chuckspennerområde.....	1,5-13 mm	
Vekt i henhold til EPTA-Prosedyren 01/2003 (1,5 Ah / 2,0 Ah).....	2,0 kg	
Vekt i henhold til EPTA-Prosedyren 01/2003 (3,0 Ah / 4,0 Ah).....	2,3 kg	

Støy-/vibrasjonsinformasjon

Måleverdier fastslått i samsvar med EN 60 745.

Det A-bedømte lydnivået til maskinen er:

Lydtryknivå (Usikkerhet K=3dB(A))..... 76 dB (A)

Lydteffektnivå (Usikkerhet K=3dB(A))..... 87 dB (A)

Bruk hørselsvern!

Totale svingningsverdier (vektorsum fra tre retninger) beregnet jf. EN 60745.

Svingningsemissionsverdi a_w

Boring i metall..... 1,32 m/s²

Usikkerhet K=..... 2,28 m/s²

Skruing..... 1,32 m/s²

Usikkerhet K=..... 2,28 m/s²

*1 Målt etter Milwaukee standard N 877318

ADVARSEL

Svingningsnivået som er angitt i denne instruksjonen er målt i overensstemmelse med målemetoden normert i direktiv EN 60745 og kan brukes til å sammenligne elektromaskiner med hverandre. Den egner seg også for en foreløbig vurdering av svingningsbelastningen.

Det angitte svingningsnivået representerer de hovedsaklige bruk av elektroverktøyet. Men anvendes elektroverktøyet for andre bruk med avvikende utskiftbare verktøy eller vedlikeholdet er utilstrekkelig, kan svingningsnivået være avvikende.

Dette kan forhøye svingningsbelastning betydelig over hele arbeidsperioden. For en nøyaktig vurdering av svingningsbelastningen må også det tas hensyn til tiden apparatet er avslått eller står på, men ikke er i bruk. Dette kan redusere svingningsbelastningen betydelig over hele arbeidsperioden.

Infør også ekstra sikkerhetstiltak for å beskytte bruker mot utvirkningen av svingningene. Disse kan f.eks. være: vedlikehold av elektroverktøyet og det utskiftbare verktøyet, holde hendene varme, organisasjon av arbeidsforløpet.

⚠ OBS! Les alle sikkerhetsinstruksjoner og bruksanvisninger.

Feil ved overholdelsen av advarslene og nedenstående anvisninger kan medføre elektriske støt, brann og/eller alvorlige skader.

Ta godt vare på alle advarslene og informasjonene.

⚠ SIKKERHETSINSTRUKSER FOR BOREMASKINER

Hold apparatet i de isolerte holdeflatene, når det arbeides på steder hvor elektroverktøyet kan treffe skjulte strømledninger.

Kontakt med en spenningsførende ledning setter også maskinens metalldele under spenning og fører til elektriske støt.

⚠ SIKKERHETSINSTRUKSER FOR SKRUTREKKERE

Hold apparatet i de isolerte holdeflatene, når arbeid utføres hvor skruen kan treffe skjulte strømledninger. Kontakt av skruen med en strømførende ledning kan sette apparatets metalldele under spenning og føre til elektrisk slag.

YTTERLIGE SIKKERHETS- OG ARBEIDSSINSTRUKSJONER

Bruk vernebekledning. Ta alltid på vernebrille ved bruk av maskinen. Vernebekledning så vel som støvmaske, vernehansker, fast og sklisikkert skotøy, hjem og hørselsvern er anbefalt.

Støvet som oppstår ved arbeidet er ofte helsefarlig og skal ikke komme i kontakt med kroppen. Bruk derfor verneemaske som er egnet for støv.

Materialer som er helsefarlig skal ikke bearbeides (f.eks.. asbest)

Slå av apparatet med en gang dersom det isatte verktøyet er blokkert! Ikke slå apparatet på igjen så lenge det isatte verktøyet er

blokkert; her kan det oppstå et tilbakeslag med høy reaksjonsmoment. Finn ut hvorfor det isatte verktøyet blokkerer og fjern årsaken til dette. Ta herved hensyn til sikkerhets instruksene.

Mulige årsaker til dette kan være:

- det har forkantet seg i arbeidsemnet som bearbeides
- det har brekt igjennom materialet som bearbeides
- elektroverktøyet er overbelastet

Ikke grip inn i maskinen når den står på og går.

Isatt verktøy kan i bruk bli veldig varmt.

ADVARSEL! Fare for forbrønning

- ved skifting av verktøy
- når apparatet legges ned

Spon eller fliser må ikke fjernes mens maskinen er i gang.

Pass på kabler, gass- og vannledninger når du arbeider i vegger, tak eller gulv.

Klem fast arbeidsemnet med en spenninnetning. Ikke sikre arbeidsemner kan ha alvorlige helseskader og skader av material til følge.

Ta ut vekslebatteriet før du arbeider på maskinen

Ikke kast brukte vekslebatterier i varmen eller husholdningsavfall. Milwaukee tilbyr en miljøriktig deponering av gamle vekslebatterier; vennligst spør din fagforhandler.

Ikke oppbevar vekslebatterier sammen med metallgjenstander (kortslutningsfare).

Vekslebatterier av systemet M18 skal kun lades med lader av systemet M18. Ikke lad opp batterier fra andre systemer.

Ikke åpne vekslebatterier og ladere, de skal oppbevares i tørre rom. Beskyttes mot fuktighet.

Under ekstreme belastninger og ekstreme temperaturer kan det lekke ut batterivæske fra utskiftbare batterier. Ved berøring med batterivæske, vask umiddelbart med såpe og vann. Ved kontakt med øynene må øynene skylles grundig i rennende vann i minst 10 minutter. Oppsøk lege umiddelbart.

FORMÅLSMESSIG BRUK

Batteri-boreskrutrekkeren kan brukes universalt for boring og skruing uavhengig av netttilkopling.

Dette apparatet må kun brukes til de oppgitte formål.

CE-SAMSVARSERKLÆRING

Vi erklærer i alene ansvar at produktet beskrevet i "Teknisk data" overensstemmer med alle relevante forskrifter til Eu direktiv 2011/65/EU (RoHS), 2004/108/EF, 2006/42/EF og de følgende harmoniserte normative dokumentene.

EN 60745-1:2009 + A11:2010

EN 60745-2-1:2010

EN 60745-2-2:2010

EN 55014-1:2006 + A1:2009 + A2:2011

EN 55014-2:1997 + A1:2001 + A2:2008

EN 50581:2012

Winnenden, 2014-09-22



Alexander Krug
Managing Director



Autorisert til å utarbeide den tekniske dokumentasjonen

Techtronic Industries GmbH

Max-Eyth-Straße 10

71364 Winnenden

Germany

BATTERIER

Vekslebatterier som ikke er brukt over lengre tid skal etterlades før bruk.

En temperatur over 50°C reduserer vekslebatteriets kapasitet. Unngå oppvarming i sol eller ved varmeovner (fyring) i lengre tid.

Hold tilkoplingskontaktene på lader og vekslebatteri rene.

For en optimal levetid må batteriene etter bruk ladet helt opp.

For å sikre en lengst mulig brukstid av batteriene skal disse etter oppladning tas ut av laderen.

Ved lagring av batteriene lengre enn 30 dager:

Lagre batteriet tørt ved ca. 27°C.

Lagre batteriet ved en oppladningstilstand på ca. 30%-50%.

Lade opp batteriet igjen etter 6 måneder.

OVERBELASTNINGSVERN FOR OPPLADBARE BATTERIER

Ved overbelastning av det oppladbare batteriet p.g.a. svært høy strømforbruk, for eksempel ved ekstrem høye dreiemoment, fastklemming av boret, plusselig stopp eller kortslutning, brummer elektroverktøyet 2 sekunder og slår seg så automatisk av. For å slå det på igjen, må man slippe trykkbryteren og så slå på igjen.

Ved ekstreme belastninger kan det oppladbare batteriet bli sterkt opphetet. I slike tilfeller kobler batteriet seg ut. Sett batteriet da i laderen for å få det oppladet og aktivert igjen.

TRANSPORT AV LITIUM-ION-BATTERI

Litium-ion-batterier faller under de lovfastede forskriftene om transport av farlig gods.

Transporten av disse batteriene må rette seg etter lokale, nasjonale og internasjonale forskrifter og bestemmelser.

- Forbruker har lov å transportere disse batteriene på gaten uten reglementering.
- Den kommersielle transport av Litium-ion-batterier av spedisjonsfirma faller under bestemmelsene om transport av farlig gods. Forberedningene av forsendelsen og transport skal utelukkende gjennomføres av personer som har blitt skolert til dette. Hele prosessen skal følges opp av fagfolk.

Følgende punkter skal tas hensyn til ved transport:

- Kontroller at kontaktene er beskyttet og isolert for å unngå kortslutninger.
- Pass på at batteripakken i forpakningen ikke kan skli fram og tilbake.
- Skadede eller batterier som lekker er det ikke lov å transportere.

Ta kontakt med spedisjonsfirma for ytterlige henvisninger.

VEDLIKEHOLD

Bruk kun Milwaukee tilbehør og Milwaukee reservedeler.

Komponenter der utskifting ikke er beskrevet skal skiftes ut hos Milwaukee kundeservice (se brosjyre garanti/ kundeserviceadresser).

Ved behov kan det fås en eksplosjonstegning av apparatet hos kundeservice eller direkte hos Techtronic Industries GmbH, Max-Eyth-Straße 10, 71364 Winnenden, Germany ved angivelse av maskinens type og det sekstallige nummeret på maskinens skilt.

SYMBOLER



OBS! ADVARSEL! FARE!



Ta ut vekslebatteriet før du arbeider på maskinen



Les nøye gjennom bruksanvisningen før maskinen tas i bruk.



Elektriske apparat skal ikke kastes sammen med vanlig husholdningsavfall. Elektriske og elektroniske apparat skal samles separat og leveres til miljøvennlig deponering til en avfall bedrift. Informer deg hos myndighetene på stedet eller hos din fagforhandler hvor det finnes recycling bedrifter oppsamlingssteder.



CE-tegn

EurAsian Konformitetstegn.

TEKNISKA DATA	BATTERIDRIVEN BORRSKRUVDRAGARE	M18 CDD
Produktionsnummer	4523 23 01...	
.....	4312 01 01...	
.....	000001-999999	
Borrdiam. in stål	13 mm	
Borrdiam. in trä	45 mm	
Tråskruvning (utan förborring)	9 mm	
Obelastat varvtal 1:a växel	0-550 min ⁻¹	
Obelastat varvtal 2:a växel	0-1850 min ⁻¹	
Vridmoment (1,5 Ah / 2,0 Ah)*1	70 Nm	
Vridmoment (3,0 Ah / 4,0 Ah)*1	80 Nm	
Batterispänning	18 V	
Chuckens spännområde	1,5-13 mm	
Vikt enligt EPTA 01/2003 (1,5 Ah / 2,0 Ah)	2,0 kg	
Vikt enligt EPTA 01/2003 (3,0 Ah / 4,0 Ah)	2,3 kg	

Buller-/vibrationsinformation

Mätvärdena har tagits fram baserade på EN 60 745.

A-värdet av maskinens ljudtrycksnivå är
Ljudtrycksnivå (Onoggrannhet K=3dB(A)) 76 dB (A)
Ljudeffektsnivå (Onoggrannhet K=3dB(A)) 87 dB (A)

Använd hörselskydd!

Totala vibrationsvärden (vektorsumma ur tre riktningar) framtaget enligt EN 60745.

Vibrationsemissionsvärde a_h
Borring i metall 1,32 m/s²
Onoggrannhet K= 2,28 m/s²
Skruvning 1,32 m/s²
Onoggrannhet K= 2,28 m/s²

*1 Uppmätt enligt Milwaukee Standard N 877318

VARNING

Den i de här anvisningarna angivna vibrationsnivån har uppmätts enligt ett i EN 60745 normerat mätförfarande och kan användas vid jämförelse mellan olika elverktyg. Nivån är även lämplig att använda vid en preliminär bedömning av vibrationsbelastningen.

Den angivna vibrationsnivån representerar den huvudsakliga användningen av det aktuella elverktyget. Men om elverktyget ska användas i andra användningsområden, tillsammans med avvikande insatsverktyg eller efter otillräckligt underhåll, kan vibrationsnivån skilja sig. Det kan öka vibrationsbelastningen betydligt under hela arbetstiden.

För att få en exaktare bedömning av vibrationsbelastningen ska även den tid beaktas, under vilken elverktyget är avstängt eller är påslaget, utan att det verkligen används. Det kan reducera vibrationsbelastningen betydligt under hela arbetstiden.

Lägg som skydd för användaren fast extra säkerhetsåtgärder mot vibrationernas verkan, som till exempel: underhåll av elverktyg och insatsverktyg, varmhållning av händer och organisering av arbetsförlopp.

⚠️ VARNING! Läs all säkerhetsinformation och alla anvisningar. Fel som uppstår till följd av att anvisningarna nedan inte följts kan orsaka elstöt, brand och/eller allvariga kroppsskador.
Förvara alla varningar och anvisningar för framtida bruk.

⚠️ SÄKERHETSINSTRUKTIONER FÖR BORRMASKINER

Håll fast apparaten med hjälp av de isolerade greppytorna när du utför arbeten där arbetsverktyget skulle kunna träffa på dolda elledningar. Om sägen kommer i kontakt med en spänningsförande ledning sätts sägens metalldelar under spänning som sedan kan leda till elektriskt slag.

⚠️ SÄKERHETSINSTRUKTIONER FÖR SKRUVARE

Håll apparaten i de isolerade greppytorna när ni utför arbeten där skruven kan träffa dolda elkablar. Skruvens kontakt med en strömförande ledning kan sätta apparatdelar av metall under spänning och leda till elektrisk stöt.

ÖVRIGA SÄKERHETS- OCH ANVÄNDNINGSSINSTRUKTIONER

Använd skyddsutrustning. Använd alltid skyddsglasögon när du använder maskinen. Som skyddsutrustning rekommenderar vi t ex en dammskyddsmask, skyddshandskar, stabila och halksäkra skor, hjälm och hörselskydd.

Det damm som bildas under arbetets gång är ofta hälsofarligt och det ska inte komma in i kroppen. Bär därför lämplig skyddsmask.

Det är inte tillåtet att bearbeta material som kan vara hälsovärdigt (t.ex. asbest).

Stäng av maskinen omedelbart om ett verktyg som används sitter fast! Sätt sedan inte på maskinen igen så länge som verktyget som

används fortfarande sitter fast; risk för okontrollerade slag med högt reaktionsmoment. Ta reda på orsaken varför verktyget fastnade och åtgärda orsaken med hänsyn till säkerhetsanvisningarna.

Möjliga orsaker kan vara:

- Verktyget sitter snett i arbetsstycket
- Verktyget går igenom materialet som bearbetas
- Elverktyget är överbelastat

Gå aldrig med händerna in i en maskin som är igång.

Verktyget som används kan bli mycket varmt under användningen.

VARNING! Risk för brännskador

- vid verktygsbyte
- när man lägger ifrån sig maskinen

Avlägsna aldrig spån eller flisor när maskinen är igång.

Vid arbetenborring i vägg, tak eller golv, var alltid observant på befintliga el-, gas- eller vattenledningar.

Säkra arbetsstycket med en fastspänningsanordning. Arbetsstycken som inte är ordentligt fastspända kan leda till allvarlig kroppsskada eller annan skada.

Drag ur batteripaket innan arbete utföres på maskinen.

Kasta inte förbrukade batterier. Lämna dem till Milwaukee Tools för återvinning.

Förvara ej batteriet ihop med metallföremål, kortslutning kan uppstå.

System M18 batterier laddas endast i System M18 laddare. Ladda inte batterier från andra system.

Batterier lagras torrt och skyddas för fukt.

Under extrem belastning eller extrem temperatur kan batterivätska tränga ut ur skadade utbytesbatterier. Vid beröring med batterivätska tvätta genast av med vatten och tvål. Vid ögonkontakt spola genast i minst 10 minuter och kontakta genast läkare.

ANVÄND MASKINEN ENLIGT ANVISNINGARNA

Denna Akkumaskin är användbar för både borring och skruvning.

Maskinen får endast användas för angiven tillämpning.

CE-FÖRSÄKRAN

Vi intygar och ansvarar för att den produkt som beskrivs under "Tekniska data" överensstämmer med alla relevanta bestämmelser i direktiv 2011/65/EU (RoHS), 2004/108/EG, 2006/42/EG och följande harmoniserade normerande dokument:

EN 60745-1:2009 + A11:2010

EN 60745-2-1:2010

EN 60745-2-2:2010

EN 55014-1:2006 + A1:2009 + A2:2011

EN 55014-2:1997 + A1:2001 + A2:2008

EN 50581:2012

Winnenden, 2014-09-22



Alexander Krug
Managing Director



Befullmäktigad att sammanställa teknisk dokumentation.

Technonic Industries GmbH
Max-Eyth-Straße 10
71364 Winnenden
Germany

BATTERIER

Batteri som ej använts på länge måste laddas före nytt bruk.

En temperatur över 50°C reducerar batteriets effekt. Undvik längre uppvärmning tex i solen eller nära ett element.

Se till att anslutningskontakterna i laddaren och på batteriet är rena.

För en optimal livslängd ska batterierna laddas helt igen efter användningen.

För att få en så lång livslängd som möjligt bör laddningsbara batterier avlägsnas från laddaren när de är laddade.

Om laddningsbara batterier lagras längre än 30 dagar:

Lagra batteriet torrt och vid ca 27°C.

Lagra batteriet vid ca 30%-50% av laddningskapaciteten.

Ladda batterierna på nytt var 6:e månad.

BATTERI-ÖVERBELASTNINGSSKYDD

Om det uppladdningsbara batteriet överbelastas på grund av mycket hög strömförbrukning, till exempel vid extremt höga vridmoment, fastklämning av borret, plötsligt stopp eller kortslutning, brummar elverktyget i 2 sekunder och stängs sedan av automatiskt.

Släpp därefter först upp tryckknappen och slå sedan på elverktyget igen, om du vill fortsätta bearbetningen.

Vid extrem belastning kan batteriet bli väldigt varmt. I ett sådant fall stängs batteriet av automatiskt.

Sätt då batteriet i laddaren för att ladda upp och aktivera det igen.

TRANSPORTERA LITIJON-BATTERIER

För litiumjon-batterier gäller de lagliga föreskrifterna för transport av farligt gods på väg.

Därför får dessa batterier endast transporteras enligt gällande lokala, nationella och internationella föreskrifter och bestämmelser.

- Konsumenter får transportera dessa batterier på allmän väg utan att behöva beakta särskilda föreskrifter.
- För kommersiell transport av litiumjon-batterier genom en speditönsfirma gäller emellertid bestämmelserna för transport av farligt gods på väg. Endast personal som känner till alla tillämpliga föreskrifter och bestämmelser får förbereda och

genomföra transporten. Hela processen ska följas upp på fackmässigt sätt.

Följande ska beaktas i samband med transporten av batterier:

- Säkerställ att alla kontakter är skyddade och isolerade för att undvika kortslutning.
- Se till att batteripacken inte kan glida fram och tillbaka i förpackningen.
- Transportera aldrig batterier som läcker, har runnit ut eller är skadade.

För mer information vänligen kontakta din speditönsfirma.

SKÖTSEL

Använd endast Milwaukee-tillbehör och Milwaukee-reservdelar. Komponenter, för vilka inget byte beskrivs, skall bytas ut hos Milwaukee-kundtjänst (se broschyren garanti-kundtjänstadresser).

Vid behov kan du rekommendera apparatens sprängskiss antingen hos kundservicen eller direkt hos Technonic Industries GmbH, Max-Eyth-Straße 10, 71364 Winnenden, Germany. Du ska då ange maskintypen och numret på sex siffror som står på effektskyften.

SYMBOLER



OBSERVERA! VARNING! FARA!



Drag ur batteripaket innan arbete utföres på maskinen.



Läs instruktionen noga innan du startar maskinen.



Elektriska maskiner och elverktyg som kasseras får inte slängas tillsammans med de vanliga hushållssoporna. Elektriska maskiner och verktyg samt elektronisk utrustning som kasseras ska samlas separat och lämnas till en avfallsstation för miljövänlig avfallshantering. Kontakta den lokala myndigheten respektive kommunen eller fråga återförsäljare var det finns speciella avfallsstationer för elskrot.



CE-symbol

EurAsian överensstämmelsesymbol.

TEKNISET ARVOT	AKKU-PORAKONE/RUUVINKIERRIN	M18 CDD
Tuotantnumero	4523 23 01...	4312 01 01...
.....	4312 01 01...	000001-999999
Poran Ø teräkseen	13 mm	
Poran Ø puuhun	45 mm	
Puuruuvi (ilman esiporausta)	9 mm	
Kuormittamaton kierrosluku 1. vaihteella	0-550 min ⁻¹	
Kuormittamaton kierrosluku 2. vaihde	0-1850 min ⁻¹	
Vääntömomentti (1,5 Ah / 2,0 Ah)*1	70 Nm	
Vääntömomentti (3,0 Ah / 4,0 Ah)*1	80 Nm	
Jännite vaihtoakku	18 V	
Istukan aukeama	1,5-13 mm	
Paino EPTA-menettelyn 01/2003 mukaan (1,5 Ah / 2,0 Ah)	2,0 kg	
Paino EPTA-menettelyn 01/2003 mukaan (3,0 Ah / 4,0 Ah)	2,3 kg	

Melunpäästö- / tärinä tiedot

Mitta-arvot määritetty EN 60 745 mukaan.	
Yleensä työkalun A-luokan melutaso	
Melutaso (Epävarmuus K=3dB(A))	76 dB (A)
Äänenvoimakkuus (Epävarmuus K=3dB(A))	87 dB (A)

Käytä kuulosuojaimia!

Värähtelyn yhteisarvot (kolmen suunnan vektorisumma) mitattuna EN 60745 mukaan.

Värähtelyemissioarvo a _h	
Metallin poraaminen	1,32 m/s ²
Epävarmuus K=	2,28 m/s ²
Ruuvinvääntö	1,32 m/s ²
Epävarmuus K=	2,28 m/s ²

*1 Mitattu Milwaukee normin N 877318 mukaan

VAROITUS

Näissä ohjeissa mainittu värähtelytaso on mitattu EN 60745 -standardin mukaisella mittausmenetelmällä ja sitä voidaan käyttää sähkötyökalujen vertaamiseen. Sitä voidaan käyttää myös värähtelyrasituksen väliaikaiseen arviointiin.

Mainittu värähtelytaso edustaa sähkötyökalun pääasiallista käyttöä. Jos sähkötyökalua kuitenkin käytetään muihin tehtäviin, poikkeavin työkaluin tai riittämättömästi huoltaen, värähtelytaso voi olla erilainen. Se voi korottaa värähtelyrasitusta koko työajan osalta.

Tarkan värähtelyrasituksen toteamiseen tulee ottaa huomioon aika, jona laite on kytketty pois tai on kylläkin päällä, mutta ei käytössä. Se voi pienentää värähtelyrasitusta koko työajan osalta.

Määrittele lisäturvatoimenpiteitä käyttäjän suojaamiseksi värinöiden vaikutukselta, kuten esimerkiksi: sähkötyökalujen ja käyttötyökalujen huolto, käsien lämpiminä pitäminen, työvaiheiden organisaatio.

VAROITUS! Lue kaikki turvallisuusmääräykset ja ohjeet. Turvallisuusohjeiden noudattamisen laiminlyönti saattaa johtaa sähköiskuun, tulipaloon ja/tai vakavaan loukkaantumiseen. **Säilytä kaikki turvallisuus- ja muut ohjeet tulevaisuutta varten.**

VAROITUS! PORAKONEIDEN TURVALLISUUSOHJEET

Pitele laitetta vain eristetyistä tarttumapinnoista, kun suoritat sellaisia töitä, joissa leikkaustyökalu saattaa osua piilossa oleviin sähköjohtoihin. Kosketus jännitteeseen johtoon saattaa myös koneen metalliosat jännitteisiksi ja johtaa sähköiskuun.

VAROITUS! RUUVAAJAN TURVALLISUUSOHJEET

Pitele laitteesta kiinni sen eristetyistä kahvoista suorittaessasi töitä, joiden aikana ruuvi saattaa osua piilossa oleviin sähköjohtoihin. Ruuvin kosketus jännitteelliseen johtoon saattaa tehdä laitteen metalliosat jännitteellisiksi ja aiheuttaa sähköiskun.

TÄYDENTÄVIÄ TURVALLISUUSMÄÄRÄYKSIÄ JA TYÖKENTELYOHJEITA

Käytä suojavarusteita. Käytä aina suojalaseja käyttäessäsi konetta. Suosittelemme suojavarusteiden käyttöä, näihin kuuluvat pölysuojanaamari, työkasineet, tukevat, luistamattomat jalkineet, kypärä ja kuulosuojukset.

Koneen käytöstä aiheutuva pöly ja jäte voi olla haitallista terveydelle eikä sen vuoksi tulisi päästä kosketukseen ihon kanssa. Koneella työskennellessä on käytettävä sopivaa suojainta. Terveydellisiä vaaroja aiheuttavien materiaalien (esim. asbestin) työstäminen on kiellettyä.

Jos käytetty työkalu juuttuu kiinni, sammuta laite heti! Älä kytkä laitetta uudelleen päälle työkalun ollessa vielä kiinni juuttuneena, koska tästä saattaa aiheutua voimakas takaisku. Selvitä työkalun juuttumisen syy ja poista syy turvallisuusmääräyksiä noudattaen.

Mahdollisia syitä voivat olla:

- työkalun vinoutuminen työstökappaleessa
- työstetyn materiaalin puhkaiseminen
- sähkötyökalun ylikuormitus

Älä tartu käynnissä olevan koneen työosiin. Käytetty työkalu saattaa kuumeta käytön aikana.

VAROITUS! Palovamman vaara

- työkalua vaihdettaessa
- laitetta pois laskettaessa

Lastuja tai puruja ei saa poistaa koneen käydessä.

Varo seinään, kattoon tai lattiaan porattaessa osumasta sähköjohtoon, kaasu- ja vesijohtoihin.

Varmista työstökappaleesi kiinnityslaitteella paikalleen. Varmistamattomat työstökappaleet saattavat aiheuttaa vakavia vammoja ja vaurioita.

Ota akku pois ennen kaikkia koneeseen tehtäviä toimenpiteitä.

Käytettyjä vaihtoakkuja ei saa polttaa eikä poistaa normaalin jätahuollon kautta. Milwaukeeella on tarjolla vanhoja vaihtoakkuja varten ympäristöystävällinen jätahuoltopalvelu.

Vaihtoakkuja ei saa säilyttää yhdessä metalliesineiden kanssa (oikosulkuväara).

Käytä ainoastaan System M18 latauslaitetta System M18 akkujen lataukseen. Älä käytä muiden järjestelmien akkuja.

Vaihtoakkuja ja latauslaitteita ei saa avata. Säilytys vain kuivissa tiloissa. Suojattava kosteudelta.

Vaurioituneesta akusta saattaa erityisen kovassa käytössä tai poikkeavassa lämpötilassa vuotaa akkukappa. Ihonkohta, joka on joutunut kosketukseen akkukappan kanssa on viipymättä pestävä vedellä ja saippualla. Silmä, johon on joutunut akkukappa, on huuhdeltava vedellä vähintään 10 minuutin ajan, jonka jälkeen on viipymättä hakeuduttava lääkärin apuun.

TARKOITUKSEN MUKAINEN KÄYTTÖ

Akkuporakone/ruuvinväännin on akkukäyttöinen ja toimii ilman verkkojohtoa.

Älä käytä tuotetta ohjeiden vastaisesti.

TODISTUS CE-STANDARDIN MUKAISUUDESTA

Vakuutamme yksinvastuullisesti, että kohdassa "Tekniset tiedot" kuvattu tuote vastaa kaikkia sitä koskevia direktiivien 2011/65/EU (RoHS), 2004/108/EY, 2006/42/EY määräyksiä sekä seuraavia harmonisoituja standardisoivia asiakirjoja:

EN 60745-1:2009 + A11:2010
EN 60745-2-1:2010
EN 60745-2-2:2010
EN 55014-1:2006 + A1:2009 + A2:2011
EN 55014-2:1997 + A1:2001 + A2:2008
EN 50581:2012

Winnenden, 2014-09-22

Alexander Krug
Managing Director



Valtuutettu kokoamaan tekniset dokumentit.

Techtronic Industries GmbH
Max-Eyth-Straße 10
71364 Winnenden
Germany

AKKU

Pitkään käyttämättä olleet vaihtoakut on ladattava ennen käyttöä. Yli 50°C lämpötilassa akun suorituskyky heikkenee. Välttämättä akkujen säilyttämistä auringossa tai kuumissa tiloissa.

Pidä aina latauslaitteen ja akun kosketinpinnat puhtaina.

Akut on ladattava täyteen käytön jälkeen optimaalisen eliniän säilyttämiseksi.

Mahdollisimman pitkän elinajan takaamiseksi akut tulee poistaa laturista lataamisen jälkeen.

Akkuja yli 30 päivää säilytettäessä:
Säilytä akku yli 27 °C:ssa ja kuivassa.
Säilytä akku sen latauksen ollessa 30 % - 50 %.
Lataa akku 6 kuukauden välein uudelleen.

AKUN YLIKUORMITUSSUOJAUS

Jos akku ylikuormittuu erittäin suuren virrankulutuksen vuoksi, esim. erittäin suurten vääntömomenttien, poranterän kiinnijuuttumisen, äkillisen pysähtymisen tai lyhytsulun vuoksi, niin sähkötyökalu surisee 2 sekunnin ajan ja sammuu sitten omatoimisesti.

Käynnistä laite uudelleen päästämällä katkaisinpainike irti ja kytkemällä se sitten uudelleen. Erittäin suurella kuormituksella saattaa akku kuumeta liikaa. Tässä tapauksessa akku kytketty pois. Työnnä akku sitten latauslaitteeseen ja lataa se jälleen, jotta se aktivoituu.

LITIUMI-IONI AKKUIEN KULJETTAMINEN

Litiumi-ioniakut kuuluvat vaarallisten aineiden kuljetuksesta annettujen lakien piiriin.

Näiden akkujen kuljettaminen täytyy suorittaa noudattaen paikallisia, kansallisia ja kansainvälisiä määräyksiä ja säädöksiä.

• Kuluttajat saavat ilman muuta kuljettaa näitä akkuja teitä pitkin.
• Kaupallisessa kuljetuksessa huolintaliikkeiden täytyy kuljettaa litiumi-ioniakkuja vaarallisten aineiden kuljetuksesta annettujen määräysten mukaisesti. Ainoastaan tähän vastaavasti koulutetut henkilöt saavat suorittaa kuljetuksen valmisteluimet ja itse kuljetuksen. Koko prosessia tulee valvoa asiantuntevasti.

Seuraavat kohdat tulee huomioida akkuja kuljetettaessa:

- Varmista, että akkujen kontaktit on suojattu ja eristetty, jotta vältetään lyhytsulut.
- Huolehdi siitä, ettei akkusarja voi luiskahtaa paikaltaan pakkauksen sisällä.
- Vahingoittuneita tai vuotavia akkuja ei saa kuljettaa.

Pyydä tarkemmat tiedot huolintaliikkeeltäsi.

HUOLTO

Käytä ainoastaan Milwaukee lisätarvikkeita ja Milwaukee varaosia. Mikäli jokin komponentti, jota ei ole kuvailtu, tarvitsee vaihtoa ota yhteys johonkin Milwaukee palvelupisteistä (kts. listamme takuuhuoltoilikeiden/ palvelupisteiden osoitteista)

Tarvittaessa voit pyytää laitteen räjähdyspirustuksen ilmoittaan konetyypin ja tyyppikilvessä olevan kuusinumeroisen luvun huoltopalvelustasi tai suoraan osoitteella Techtronic Industries GmbH, Max-Eyth-Strasse 10, 71364 Winnenden, Saksa.

SYMBOLIT



HUOMIO! VAROITUS! VAARA!



Ota akku pois ennen kaikkia koneeseen tehtäviä toimenpiteitä.



Lue käyttöohjeet huolellisesti, ennen koneen käynnistämistä.



Sähkölaitteita ei saa hävittää yhdessä kotitalousjätteiden kanssa. Sähkö- ja elektroniset laitteet tulee kerätä erikseen ja toimittaa kierrätyksiin ympäristöystävällistä hävittämistä varten. Pyydä paikallisilta viranomaisilta tai alan kauppiailta tarkemmat tiedot kierrätyspisteistä ja keräyspaikoista.



CE-merkki

EurAsian-vaatimusten mukaisuusmerkki.

ΤΕΧΝΙΚΑ ΣΤΟΙΧΕΙΑ	ΔΡΑΠΑΝΟΚΑΤΣΑΒΙΔΟ ΜΠΑΤΑΡΙΑΣ	M18 CDD
Αριθμός παραγωγής.....	4523 23 011.....	4312 01 01.....
00001-999999	
Ø τρύπας σε χάλυβα	13 mm	
Ø τρύπας σε ξύλο	45 mm	
Ευλόβιδες (χωρίς προδιότρηση).....	9 mm	
Αριθμός στροφών χωρίς φορτίο στην 1η ταχύτητα.....	0-550 min ⁻¹	
Αριθμός στροφών χωρίς φορτίο στη 2η ταχύτητα	0-1850 min ⁻¹	
Ροπή στρέψης (1,5 Ah / 2,0 Ah)*1	70 Nm	
Ροπή στρέψης (3,0 Ah / 4,0 Ah)*1	80 Nm	
Τάση ανταλλακτικής μπαταρίας	18 V	
Περιοχή σύσφιξης του tool	1,5-13 mm	
Βάρος σύμφωνα με τη διαδικασία EPTA 01/2003 (1,5 Ah / 2,0 Ah) ..	2,0 kg	
Βάρος σύμφωνα με τη διαδικασία EPTA 01/2003 (3,0 Ah / 4,0 Ah) ..	2,3 kg	

Πληροφορίες θορύβου/δονήσεων

Τιμές μέτρησης εξακριβωμένες κατά EN 60 745.

Τυπική A αξιολογημένη στάθμη θορύβου:

Στάθμη ηχητικής πίεσης (Ανασφάλεια K=3dB(A))..... 76 dB (A)

Στάθμη ηχητικής ισχύος (Ανασφάλεια K=3dB(A)) 87 dB (A)

Φοράτε προστασία ακοής (ωασιπίδες)!

Υλικές τιμές κραδασμών (άθροισμα διανυσμάτων τριών διευθύνσεων) εξακριβώθηκαν σύμφωνα με τα πρότυπα EN 60745.

Τιμή εκπομπής δονήσεων a_h

Τρύπες σε μέταλλο..... 1,32 m/s²

Ανασφάλεια K=..... 2,28 m/s²

Βιδώμα..... 1,32 m/s²

Ανασφάλεια K=..... 2,28 m/s²

*1 Μετρημένη σύμφωνα με το πρότυπο της Milwaukee N 877318

ΠΡΟΕΙΔΟΠΟΙΗΣΗ

Το αναφερόμενο σ' αυτές τις οδηγίες επίπεδο δονήσεων έχει μετρηθεί με μια τυποποιημένη σύμφωνα με το EN 60745 μέθοδο μέτρησης και μπορεί να χρησιμοποιηθεί για τη σύγκριση των ηλεκτρικών εργαλείων μεταξύ τους. Αυτό είναι επίσης κατάλληλο για μια προσωρινή εκτίμηση της επιβάρυνση των δονήσεων.

Το αναφερόμενο επίπεδο δονήσεων αντιπροσωπεύει τις κύριες χρήσεις του ηλεκτρικού εργαλείου. Εάν όμως το ηλεκτρικό χρησιμοποιείται σε άλλες χρήσεις, με διαφορετικά εργαλεία εφαρμογής ή ανεπαρκή συντήρηση, μπορεί να υπάρξει απόκλιση του επιπέδου δονήσεων. Αυτό μπορεί να αυξήσει σημαντικά την επιβάρυνση των δονήσεων για τη συνολική διάρκεια της εργασίας.

Για μια ακριβή εκτίμηση της επιβάρυνσης των δονήσεων οφείλουν επίσης να λαμβάνονται υπόψη οι χρόνοι, στους οποίους η συσκευή είναι απενεργοποιημένη ή είναι μεν ενεργοποιημένη αλλά δεν χρησιμοποιείται πραγματικά. Αυτό μπορεί να μειώσει σημαντικά την επιβάρυνση των δονήσεων για τη συνολική διάρκεια της εργασίας.

Καθορίζετε πρόσθετα μέτρα ασφαλείας για την προστασία του χειριστή από την επίδραση των δονήσεων όπως για παράδειγμα: Συντήρηση του ηλεκτρικού εργαλείου και των εργαλείων εφαρμογής, διατηρείτε ζεστά τα χέρια, οργάνωση των διαδικασιών εργασίας.

⚠ ΠΡΟΣΟΧΗ! Διαβάστε όλες τις οδηγίες ασφαλείας και τις οδηγίες χρήσεως. Αμέλειες κατά την τήρηση των προειδοποιητικών υποδείξεων μπορεί να προκαλέσουν ηλεκτροπληξία, κίνδυνο πυρκαγιάς ή/και σοβαρούς τραυματισμούς.

Φυλάξτε όλες τις προειδοποιητικές υποδείξεις και οδηγίες για κάθε μελλοντική χρήση.

⚠ ΥΠΟΔΕΙΞΕΙΣ ΑΣΦΑΛΕΙΑΣ ΓΙΑ ΔΡΑΠΑΝΑ

Να πιάνετε τη συσκευή στις μονωμένες χειρολαβές όταν εκτελείτε εργασίες κατά τις οποίες τα κοπτικά εργαλεία θα μπορούσαν να πέσουν επάνω σε κρυμμένα καλώδια ρεύματος. Η επαφή του πριονόδισκου με μια υπό τάση ευρισκόμενη ηλεκτρική γραμμή θέτει επίσης και τα μεταλλικά τμήματα του μηχανήματος υπό τάση κι έτσι μπορεί να οδηγήσει σε ηλεκτροπληξία.

⚠ ΥΠΟΔΕΙΞΕΙΣ ΑΣΦΑΛΕΙΑΣ ΓΙΑ ΚΑΤΣΑΒΙΔΙΑ

Κρατάτε τη συσκευή από τις μονωμένες επιφάνειες συγκράτησης, όταν εκτελείτε εργασίες, στις οποίες η βίδα θα μπορούσε να έρθει σε επαφή με κρυφούς αγωγούς ρεύματος. Η επαφή της βίδας μ' ένα ηλεκτροφόρο καλώδιο μπορεί να προκαλέσει τη μεταφορά ρεύματος στα μεταλλικά εξαρτήματα της συσκευής και να οδηγήσει σε ηλεκτροπληξία.

ΠΕΡΑΙΤΕΡΩ ΟΔΗΓΙΕΣ ΑΣΦΑΛΕΙΑΣ ΚΑΙ ΧΡΗΣΕΩΣ

Χρησιμοποιείτε προστατευτικό εξοπλισμό. Κατά την εργασία με τη μηχανή φοράτε πάντα προστατευτικά γυαλιά. Συνιστούμε επίσης προστατευτική ενδυμασία όπως επίσης μάσκα προστασίας αναπνοής, προστατευτικά γάντια, σταθερά και ασφαλή στην ολισθήση υποδήματα, κράνος και ωασιπίδες.

Η σκόνη που δημιουργείται κατά την εργασία είναι συχνά επιβλαβής για την υγεία και δεν επιτρέπεται να έλθει στο σώμα. Να φοράτε κατάλληλη μάσκα προστασίας από σκόνη.

Μην ετεξεργάζεστε επικίνδυνα για την υγεία υλικά (π.χ. αμιαντός).

Σε περίπτωση μπλοκαρίσματος της αρίδας απενεργοποιείτε αμέσως τη συσκευή! Μην ενεργοποιείτε εκ νέου τη συσκευή όσο η αρίδα είναι μπλοκαρισμένη. Σ' αυτή τη περίπτωση θα μπορούσε να προκύψει υψηλή ροπή αντίδρασης. Βρείτε την αιτία του μπλοκαρίσματος της αρίδας και ξεμπλοκάρτε την λαμβάνοντας υπόψη τις οδηγίες ασφαλείας.

Πιθανές αιτίες:

- Η αρίδα μάγκωσε με το προς κατεργασία κομμάτι.
- Στάσιμο του προς κατεργασία υλικού.
- Υπερφόρτιση του ηλεκτρικού εργαλείου.

Μην απλώνετε τα χέρια σας στην επικίνδυνη περιοχή της μηχανής όταν είναι σε λειτουργία.

Η θερμοκρασία της αρίδας μπορεί να φτάσει σε υψηλά επίπεδα κατά τη λειτουργία.

ΠΡΟΕΙΔΟΠΟΙΗΣΗ! Κίνδυνος εγκαύματος

- κατά την αλλαγή εργαλείου (αρίδας)
- κατά την απόθεση της συσκευής

Τα ρεζία ή οι σκλήθρες δεν επιτρέπεται να απομακρύνονται όσο η μηχανή βρίσκεται σε λειτουργία.

Κατά τις εργασίες σε τοίχο, οροφή ή δάπεδο προσέχετε για τυχόν ηλεκτρικά καλώδια και για σωλήνες αερίου και νερού.

Ασφαλίστε το προς κατεργασία κομμάτι στη μέγερη ή με μια άλλη διάταξη στερέωσης. Μη ασφαλισμένα προς κατεργασία κομμάτια μπορεί να προκαλέσουν σοβαρούς τραυματισμούς και ζημιές.

Πριν από κάθε εργασία στη μηχανή αφαιρείτε την ανταλλακτική μπαταρία.

Μην πετάτε τις μεταχειρισμένες ανταλλακτικές μπαταρίες στη φωτιά ή στα οικιακά απορρίμματα. Η Milwaukee προσφέρει μια απόσυρση των παλιών ανταλλακτικών μπαταριών σύμφωνα με τους κανόνες προστασίας του περιβάλλοντος, ρωτήστε παρακαλώ σχετικά στο ειδικό κατάστημα πώλησης.

Μην αποθηκεύετε τις ανταλλακτικές μπαταρίες μαζί με μεταλλικά αντικείμενα (κίνδυνος βραχυκυκλώματος).

Φορτίζετε τις ανταλλακτικές μπαταρίες του συστήματος M18 μόνο με φορτιστές του συστήματος M18. Μη φορτίζετε μπαταρίες από άλλα συστήματα.

Μην ανοίγετε τις ανταλλακτικές μπαταρίες και τους φορτιστές και χρησιμοποιείτε για αποθήκευση μόνο στεγνούς χώρους. Προστατεύετε τις ανταλλακτικές μπαταρίες και τους φορτιστές από την υγρασία.

Όταν υπάρχει υπερβολική καταπόνηση ή υψηλή θερμοκρασία μπορεί να τρέξει υγρό μπαταρίας από τις χαλασμένες επαναφορτιζόμενες μπαταρίες. Αν έρθει σε επαφή με υγρό μπαταρίας να πλυθείτε αμέσως με νερό και σαπούνι. Σε περίπτωση επαφής με τα μάτια να πλυθείτε σχολαστικά για τουλάχιστον 10 λεπτά και να αναζητήσετε αμέσως ένα γιατρό.

ΧΡΗΣΗ ΣΥΜΦΩΝΑ ΜΕ ΤΟ ΣΚΟΠΟ ΠΡΟΟΡΙΣΜΟΥ

Το δραπενοκατσαβίδο μπαταρίας μπορεί να χρησιμοποιηθεί γενικά για τρύπημα και βιδώμα ανεξάρτητα από μια σύνδεση στο ηλεκτρικό δίκτυο.

Αυτή η συσκευή επιτρέπεται να χρησιμοποιηθεί μόνο σύμφωνα με τον αναφερόμενο σκοπό προοριζομένου.

ΔΗΛΩΣΗ ΠΙΣΤΟΤΗΤΑΣ ΕΚ

Δηλώνουμε υπεύθυνα ότι το προϊόν που περιγράφεται στο κεφάλαιο «Τεχνικά χαρακτηριστικά» είναι συμβατό με τις διατάξεις της Κοινοτικής Οδηγίας 2011/65/ΕΥ (RoHS), 2004/108/ΕΚ, 2006/42/ΕΚ και με τα ακόλουθα εναρμονισμένα κανονιστικά έγγραφα:

EN 60745-1:2009 + A11:2010

EN 60745-2-1:2010

EN 60745-2-2:2010

EN 55014-1:2006 + A1:2009 + A2:2011

EN 55014-2:1997 + A1:2001 + A2:2008

EN 50581:2012

Winnenden, 2014-09-22



Alexander Krug
Managing Director

Εξουσιοδοτημένος να συντάξει τον τεχνικό φάκελο.

Techtronic Industries GmbH

Max-Eyth-Straße 10

71364 Winnenden

Germany



ΜΠΑΤΑΡΣΣΕ

Επαναφορτίζετε τις ανταλλακτικές μπαταρίες που δεν έχουν χρησιμοποιηθεί για μεγαλύτερο χρονικό διάστημα πριν τη χρήση.

Μια θερμοκρασία πάνω από 50°C μειώνει την ισχύ της ανταλλακτικής μπαταρίας. Αποφεύγετε τη θέρμανση για μεγαλύτερο χρονικό διάστημα από τον ήλιο ή τις συσκευές θέρμανσης.

Διατηρείτε τις επαφές σύνδεσης στο φορτιστή και στην ανταλλακτική μπαταρία καθάρεις.

Για μια άριστη διάρκεια ζωής πρέπει μετά τη χρήση οι μπαταρίες να φορτιστούν πλήρως.

Για μια κατά το δυνατόν μεγάλη διάρκεια ζωής οι μπαταρίες μετά τη φόρτιση οφείλουν να αφαιρεθούν από το φορτιστή.

Για την αποθήκευση της μπαταρίας για διάστημα μεγαλύτερο των 30 ημερών: Αποθηκεύετε τη μπαταρία περ. στους 27°C σε στεγνό χώρο.

Αποθηκεύετε τη μπαταρία περ. στο 30%-50% της κατάστασης φόρτισης. Κάθε 6 μήνες φορτίζετε εκ νέου τη μπαταρία.

ΠΡΟΣΤΑΣΙΑ ΥΠΕΡΦΟΡΤΩΣΗΣ ΤΗΣ ΜΠΑΤΑΡΙΑΣ

Σε υπερφόρτωση της μπαταρίας από πολύ υψηλή κατανάλωση ρεύματος, π.χ. από ακραίες υψηλές ροπές περιστροφής, μπλοκάρισμα του τρυπανιού, ζαφικόκο στοπ ή βραχυκύκλωμα, δοκείται το ηλεκτρικό εργαλείο για 5 δευτερόλεπτα, αναβοσβήνει η ένδειξη φόρτισης και το ηλεκτρικό εργαλείο απενεργοποιείται αυτόματα.

Για μια νέα ενεργοποίηση, αφήνετε ελεύθερο το διακόπτη και στη συνέχεια ενεργοποιείτε εκ νέου.

Κάτω από ακραίες καταπονήσεις θερμαίνεται πάρα πολύ η μπαταρία. Στην περίπτωση αυτή αναβοσβήνουν όλες οι λάμπες της ένδειξης φόρτισης μέχρι να έχει κρυώσει η μπαταρία. Μετά το σβήσιμο της ένδειξης φόρτισης μπορεί να συνεχιστεί η συνεργασία.

ΜΕΤΑΦΟΡΑ ΤΩΝ ΜΠΑΤΑΡΙΑΩΝ ΙΟΝΤΩΝ ΛΙΘΙΟΥ

Οι μπαταρίες ιόντων λιθίου υπόκεινται στις απαιτήσεις των νομικών διατάξεων για την μεταφορά επικινδύνων εμπορευμάτων.

Η μεταφορά τέτοιων μπαταριών πρέπει να πραγματοποιείται τηρώντας τους τοπικούς, εθνικούς και διεθνείς κανονισμούς και τις αντίστοιχες διατάξεις.

- Επιτρέπεται η μεταφορά τέτοιων μπαταριών στο δρόμο χωρίς περαιτέρω απαιτήσεις
- Η εμπορική μεταφορά μπαταριών ιόντων λιθίου από εταιρείες μεταφορών υπόκειται στις απαιτήσεις των νομικών διατάξεων για την μεταφορά επικινδύνων εμπορευμάτων. Οι προτοιμασίες αποστολής και η μεταφορά πραγματοποιούνται αποκλειστικά από ειδικά εκπαιδευμένα πρόσωπα. Η συνολική διαδικασία συνοδεύεται από εξειδικευμένο προσωπικό.

Κατά τη μεταφορά μπαταριών ιόντων λιθίου πρέπει να προσέχετε τα εξής:

- Φροντίστε τα σημεία επαφών να είναι προστατευμένα και μονωμένα ώστε να αποφευχθούν βραχυκυκλώματα.
- Προσέξτε το πακέτο μπαταριών να είναι σταθερό μέσα στη συσκευασία και να μη γλιστρά.
- Η μεταφορά μπαταριών που παρουσιάζουν φθορές ή διαρροές δεν επιτρέπεται.

Για περισσότερες πληροφορίες απευθυνθείτε στην εταιρεία μετάφορων.

ΣΥΝΤΗΡΗΣΗ

Χρησιμοποιείτε μόνο πρόσθ. εξαρτήματα Milwaukee και ανταλλακτικά Milwaukee. Κατ'ασκ. τμήματα, που η αλλαγή τους δεν περιγράφεται, αντικαθιστώνται σε μια τεχνική υποστήριξη της Milwaukee (βλέπε φυλλάδιο εγγύηση/ διευθύνσεις τεχνικής υποστήριξης).

Σε περίπτωση που το χρειαστείτε μπορείτε να παραγγείλετε λεπτομερές σχέδιο της συσκευής αναφέροντας τον τύπο και τον εξαμηνίο αριθμό που βρίσκεται στην πινακίδα τεχνικών χαρακτηριστικών από την εξυπηρέτηση πελατών ή απευθείας από την Techtronic Industries GmbH, διεύθυνση Max-Eyth-Straße 10, 71364 Winnenden, Germany.

ΣΥΜΒΟΛΑ



ΠΡΟΣΟΧΗ! ΠΡΟΕΙΔΟΠΟΙΗΣΗ! ΚΙΝΔΥΝΟΣ!



Πριν από κάθε εργασία στη μηχανή αφαιρείτε την ανταλλακτική μπαταρία.



Παρακαλώ διαβάστε σχολαστικά τις οδηγίες χρήσης πριν από την έναρξη λειτουργίας.



Ηλεκτρικά μηχανήματα δεν επιτρέπεται να απορρίπτονται μαζί με τα οικιακά απορρίμματα. Ηλεκτρικά και ηλεκτρονικά μηχανήματα συλλέγονται ξεχωριστά και παραδίδονται προς ανακύκλωση με τρόπο φιλικό προς το περιβάλλον σε επιχείρηση επεξεργασίας απορριμμάτων. Ενημερωθείτε από τις τοπικές υπηρεσίες ή από ειδικευμένους εμπόρους σχετικά με κέντρα ανακύκλωσης και συλλογής απορριμμάτων.

Σήμα συμμόρφωσης CE



EurAsian σήμα πιστότητας.

TEKNİK VERİLER	AKÜ MATKAP VIDASI	M18 CDD
Üretim numarası	4523 23 01...	4312 01 01...
.....000001-999999
Delme çapı çelikte	13 mm	45 mm
Delme çapı tahta	45 mm	9 mm
Ağaç vidaları (kılavuz deliksiz)	9 mm	0-550 min ⁻¹
Boştaki devir sayısı 1. viteste	0-550 min ⁻¹	0-1850 min ⁻¹
Boştaki devir sayısı 2. vites	0-1850 min ⁻¹	70 Nm
Tork (1,5 Ah / 2,0 Ah)*1	70 Nm	80 Nm
Tork (3,0 Ah / 4,0 Ah)*1	80 Nm	18 V
Kartuş akü gerilimi	18 V	1,5-13 mm
Mandren kapasitesi	1,5-13 mm	2,0 kg
Ağırlığı ise EPTA-üretici 01/2003'e göre (1,5 Ah / 2,0 Ah)	2,0 kg	2,3 kg
Ağırlığı ise EPTA-üretici 01/2003'e göre (3,0 Ah / 4,0 Ah)	2,3 kg	

Gürültü/Vibrasyon bilgileri

Ölçüm değerleri EN 60745 e göre belirlenmektedir.

Aletin A değerlendirmeli gürültü seviyesi tipik olarak şu değerdedir:

Ses basıncı seviyesi (Tolerans K=3dB(A))	76 dB (A)
Akustik kapasite seviyesi (Tolerans K=3dB(A))	87 dB (A)

Koruyucu kulaklık kullanın!

Toplam titreşim değeri (üç yönün vektör toplamı) EN 60745'e göre belirlenmektedir:

titreşim emisyon değeri a _h	
Metal delme	1,32 m/s ²
Tolerans K=	2,28 m/s ²
Vida ile tuturma	1,32 m/s ²
Tolerans K=	2,28 m/s ²

*1 Milwaukee Standard N 877318'e göre ölçülmüştür.

UYARI

Bu talimatlarda belirtilen titreşim seviyesi, EN 60745 standardına uygun bir ölçme metodu ile ölçülmüştür ve elektrikli el aletleri birbiriyle karşılaştırmak için kullanılabilir. Ölçüm sonuçları ayrıca titreşim yükünün geçici değerlendirilmesi için de uygundur.

Belirtilen titreşim seviyesi, elektrikli el aletinin genel uygulamaları için geçerlidir. Ancak elektrikli el aleti başka uygulamalar için, farklı eklenti parçalarıyla ya da yetersiz bakım koşullarında kullanılırsa, titreşim seviyesi farklılık gösterebilir. Bu durumda, titreşim yükü toplam çalışma zaman aralığı içerisinde belirgin ölçüde yükselebilir.

Titreşim yükünün tam bir değerlendirmesi için ayrıca cihazın kapalı olduğu süreler ve cihazın çalışır durumda olduğu, ancak gerçek kullanımda bulunmadığı süreler de dikkate alınmalıdır. Böylelikle, toplam çalışma zamanı aralığı boyunca meydana gelen titreşim yükü belirgin ölçüde azaltılabilir.

Kullanıcıyı titreşimlerin etkisinden korumak üzere, örneğin elektrikli el aletlerinin ve eklenti parçalarının bakımı, ellerin sıcak tutulması ve iş akışlarının organizasyonu gibi ek güvenlik tedbirleri belirleyiniz.

⚠ UYARI! Bütün güvenlik notlarını ve talimatları okuyunuz.

Açıklanan uyarılara ve talimat hükümlerine uyulmadığı takdirde elektrik çarpmalarına, yangınlara ve/veya ağır yaralanmalara neden olunabilir.

Bütün uyarıları ve talimat hükümlerini ileride kullanmak üzere saklayın.

⚠ MATKAP MAKİNELERİ İÇİN GÜVENLİK AÇIKLAMALARI

Kesme aletinin eğrilmiş elektrik kabloları isabet eden cihazlar yapıpken cihazı izole edilmiş kollarından tutun. Elektrik akımı ileten kablolarla temas edilecek olursa metal alet elemanlarına da gerilim geçer ve bu da elektrik çarpmalarına neden olabilir.

⚠ TORNAVIDALAR İÇİN GÜVENLİK AÇIKLAMASI

Vidayı bükün ve elektrik hattına maruz kalabilen çalışmalar yaparken cihazın izole edilmiş bulunan tutacak kolundan tutun. Voltaj altında kalan vida ile temas edilmesi, metal cihaz parçalarına elektrik akımı verebilir ve bu da elektrik çarpmasına neden ol.

⚠ EK GÜVENLİK VE ÇALIŞMA TALİMATLARI

Koruma teçhizatı kullanın.Makinada çalışırken devamlı surette koruyucu gözlük takın. Koruyucu elbise ve tozlardan korunma maskesi, emniyet eldivenleri ve sağlam ve kaymaya mukavim ayakkabı giyin. Başlık ve kulaklık tavsiye edilir.

Çalışma sırasında ortaya çıkan toz genellikle sağlığa zararlıdır ve bedeninize temas etmemelidir. Uygun bir koruyucu toz maskesi kullanın

Sağlık tehlikelerine neden olan malzemelerin işlenmesi yasaktır (örn. asbest).

Uca yerleştirilen takımın bloke olması halinde lütfen cihazı hemen kapatın! Uca yerleştirilen takım bloke olduğu sürece cihazı tekrar çalıştırmayın; bu sırada yüksek reaksiyon momentine sahip geri tepme meydana gelebilir. Uca yerleştirilen takımın neden bloke olduğuna bakın ve bu durumu güvenli uyarılarına dikkat ederek gidin.

Olası nedenler şunlar olabilir:

- İşlenen parça içinde takılma
- İşlenen malzemenin delinmesi
- Elektrikli alete aşırı yük binmesi

Ellerinizi çalışmakta olan makinenin içine uzatmayın.

Uca yerleştirilen takım kullanımı sırasında ısınabilir.

UYARI! Yanma tehlikesi

- takım değiştirme sırasında
- aletin yere bırakılması sırasında

Alet çalışır durumda iken talaş ve kırpıntıları temizlemeye çalışmayın.

Duvar, tavan ve zeminde delik açarken elektrik kablolarına, gaz ve su borularına dikkat edin.

İşlenen parçayı bir germe tertibatıyla emniyete alın. Emniyete alınmayan iş parçaları ağır yaralanmalar ve hasarlara neden olabilir.

Aletin kendinde bir çalışma yapmadan önce kartuş aküyü çıkarın.

Kullanılmış kartuş aküleri ateşe veya ev çöplerine atmayın. Milwaukee, kartuş akülerin çevreye zarar vermeyecek biçimde

tasfiye edilmesine olanak sağlayan hizmet sunar; Lütfen bu konuda yetkili satıcınızdan bilgi alın.

Kartuş aküleri metal parça veya eşyalarla birlikte saklamayın (kısa devre tehlikesi).

M18 sistemli kartuş aküleri sadece M18 sistemli şarj cihazları ile şarj edin. Başka sistemli aküleri şarj etmeyin.

Kartuş aküleri ve şarj cihazını açmayın ve sadece kuru yerlerde saklayın. Neme ve ıslanmaya karşı koruyun.

Aşırı zorlanma veya aşırı ısınma sonucu hasar gören kartuş akülerden batarya sıvısı dışarı akabilir. Batarya sıvısı ile temasa gelen yeri hemen bol su ve sabunla yıkayın. Batarya sıvısı gözünüze kaçacak olursa en azından 10 dakika yıkayın ve zaman geçirmeden bir hekime başvurun.

KULLANIM

Bu akülü delme/vidalama makinesi, şebeke akımına bağlı kalınmadan delme ve vidalama işlerinde çok yönlü olarak kullanılabilir.

Bu alet sadece belirttiği gibi ve usulüne uygun olarak kullanılabilir.

CE UYGUNLUK BEYANI

Tek sorumlu olarak "Teknik Veriler" bölümünde tarif edilen ürünün 2011/65/EU (RoHS), 2004/108/EC, 2006/42/EC sayılı direktifin ve aşağıdaki harmonize temel belgelerin bütün önemli hükümlerine uygun olduğunu beyan etmekteyiz:

EN 60745-1:2009 + A11:2010

EN 60745-2-1:2010

EN 60745-2-2:2010

EN 55014-1:2006 + A1:2009 + A2:2011

EN 55014-2:1997 + A1:2001 + A2:2008

EN 50581:2012

Winnenden, 2014-09-22

Alexander Krug

Alexander Krug
Managing Director

CE

Teknik evrakları hazırlamakla görevlendirilmiştir.

Techtronic Industries GmbH
Max-Eyth-Straße 10
71364 Winnenden
Germany

AKÜ

Uzun süre kullanım dışı kalmış kartuş aküleri kullanmadan önce şarj edin.

50°C üzerindeki sıcaklıklar kartuş akünün performansını düşürür. Akünün güneş ışığı veya mekân sıcaklığı altında uzun süre ısınmasına dikkat edin.

Şarj cihazı ve kartuş aküdeki bağlantı noktalarını temiz tutun.

Akünün ömrünün mükemmel bir şekilde uzun olması için kullandıktan sonra tamamen doldurulması gerekir.

Ömrünün mümkün olduğu kadar uzun olması için akülerin yüklemeye yapıldıktan sonra doldurma cihazından uzaklaştırılması gerekir.

Akünün 30 günden daha fazla depolanması halinde:

Aküyü yaklaşık 27°C'de kuru olarak depolayın.

Aküyü yüklemeye durumunun yaklaşık % 30 - %50 olarak depolayın.

Aküyü her 6 ay yeniden doldurun.

AKÜNÜN AŞIRI YÜKLENMEYE KARŞI KORUNMASI

Pek fazla elektrik tüketimi yapılmak suretiyle aküye fazla yüklenildiğinde, örneğin aşırı devir momentleri, matkap sıkıştırması, aniden durma veya kısa devre, elektrikli alet 2 saniye garip sesler çıkarır ve kendiliğinden durur. Aleti yeniden çalıştırmak için şalter baskı kolunu serbest bırakın ve bundan sonra tekrar çalıştırın. Aşırı yüklenme durumunda ise akü pek fazla ısınır. Bu durumda akü kendiliğinden durur. Aküyü tekrar doldurmak ve aktif hale getirmek amacı ile şarja bağlayın.

LİTYUM İYON PİLLERİN TAŞINMASI

Lityum iyon piller tehlikeli madde taşımacılığı hakkındaki yasal hükümler tabidir.

Bu piller, bölgesel, ulusal ve uluslararası yönetmeliklere ve hükümlere uyularak taşınmak zorundadır.

- Tüketiciler bu pilleri herhangi bir özel şart aranmaksızın karayoluyla taşıyabilirler.
- Lityum iyon pillerin nakliye şirketleri tarafından ticari taşımacılığı için tehlikeli madde taşımacılığının hükümleri geçerlidir. Sevk hazırlığı ve taşıma sadece ilgili eğitimi görmüş personel tarafından gerçekleştirilebilir. Bütün süreç uzman bir refakatçilik altında gerçekleştirilmek zorundadır.

Pillerin taşınması sırasında aşağıdaki hususlara dikkat edilmesi gerekmektedir:

- Kısa devre oluşmasını önlemek için kontakların korunmuş ve izole edilmiş olmasını sağlayınız.
- Pili paketinin ambalajı içinde kaymamasına dikkat ediniz.
- Hasarlı veya akmış pillerin taşınması yasaktır.

Ayrıca bilgiler için nakliye şirketinize başvurunuz.

BAKIM

Sadece Milwaukee aksesuarı ve yedek parçası kullanın. Nasıl değiştirileceği açıklanmamış olan yapı parçalarını bir Milwaukee müşteri servisinde değiştirin (Garanti ve servis adresi broşürüne dikkat edin).

Gerektiğinde cihazın ayrıntılı çizimini, güç levhası üzerindeki makine modelini ve altı haneli rakamı belirterek müşteri servisinden veya doğrudan Techtronic Industries GmbH, Max-Eyth-Straße 10, 71364 Winnenden, Germany adresinden isteyebilirsiniz.

SEMBOLLER



DİKKAT! UYARI! TEHLİKE!



Aletin kendinde bir çalışma yapmadan önce kartuş aküyü çıkarın.



Lütfen aleti çalıştırmadan önce kullanma kılavuzunu dikkatli biçimde okuyun.



Elektrikli cihazların evsel atıklarla birlikte bertaraf edilmesi yasaktır. Elektrikli ve elektronik cihazlar ayrılarak biriktirilmesi ve çevreye zarar vermeden bertaraf edilmeleri için bir atık değerlendirme tesisine götürülmelidirler. Yerel makamlara veya satıcınıza geri dönüşüm tesisleri ve atık toplama merkezlerinin yerlerini danışınız.



CE işareti



EurAsian Uyumluluk işareti

TECHNICKÁ DATA	AKU VRTACÍ ŠROUBOVÁKY	M18 CDD
Výrobní číslo.....	4523 23 01...	
.....	4312 01 01.....	
.....	...00001-999999	
Vrtací Ø v oceli.....	13 mm	
Vrtací Ø v dřevě.....	45 mm	
Vruty do dřeva (bez předvrtání).....	9 mm	
Počet otáček při běhu naprázdno na 1.st.rychlosti.....	0-550 min ⁻¹	
Počet otáček při běhu naprázdno na 2.st.rychlosti.....	0-1850 min ⁻¹	
Krouticí moment (1,5 Ah / 2,0 Ah)*1.....	70 Nm	
Krouticí moment (3,0 Ah / 4,0 Ah)*1.....	80 Nm	
Napětí výměnného akumulátoru.....	18 V	
Rozsah upnutí skličidla.....	1,5-13 mm	
Hmotnost podle prováděcího předpisu EPTA 01/2003 (1,5 Ah / 2,0 Ah).....	2,0 kg	
Hmotnost podle prováděcího předpisu EPTA 01/2003 (3,0 Ah / 4,0 Ah).....	2,3 kg	

Informace o hluku / vibracích

Naměřené hodnoty odpovídají EN 60 745.

Typická vážená Hladina akustického tlaku (Kolísavost K=3dB(A))..... 76 dB (A)

Hladina akustického výkonu (Kolísavost K=3dB(A))..... 87 dB (A)

Použijte chrániče sluchu !

Celkové hodnoty vibrací (vektorový součet tří směrů) zjištěné ve smyslu EN 60745.

Hodnota vibračních emisí a_h

Vrtání kovů..... 1,32 m/s²

Kolísavost K=..... 2,28 m/s²

Šroubování..... 1,32 m/s²

Kolísavost K=..... 2,28 m/s²

*1 Změněno podle normy Milwaukee N 877318

VAROVÁNÍ

Úroveň chvění uvedená v tomto návodu byla naměřena podle metody měření stanovené normou EN 60745 a může být použita pro porovnání elektrického nářadí. Hodí se také pro průběžný odhad zatížení chvěním.

Uvedená úroveň chvění představuje hlavní účely použití elektrického nářadí. Jestliže se ale elektrické nářadí používá pro jiné účely, s odlišnými nástroji nebo s nedostatečnou údržbou, může se úroveň chvění odlišovat. To může značně zvýšit zatížení chvěním během celé pracovní doby.

Pro přesný odhad zatížení chvěním se musí také zohlednit časy, během kterých je přístroj vypnutý nebo kdy je sice v chodu, ale skutečně se s ním nepracuje. To může zatížení chvěním během celé pracovní doby značně snížit.

Stanovte doplňková bezpečnostní opatření pro ochranu obsluhy před účinky chvění jako například: technická údržba elektrického nářadí a nástrojů, udržování teploty rukou, organizace pracovních procesů.

UPOZORNĚNÍ! Přečtěte si všechny bezpečnostní pokyny a návody. Zanedbání při dodržování varovných upozornění a pokynů mohou mít za následek úder elektrickým proudem, požár a/nebo těžká poranění.

Všechna varovná upozornění a pokyny do budoucna uschovejte.

BEZPEČNOSTNÍ POKYNY PRO PRÁCI S VRTAČKOU

Při provádění prací, při kterých nástroj může narazit na skryta elektrická vedení, držte přístroj za izolované přídržovací plošky. Kontakt s vedením pod napětím přivádí napětí i na kovové díly stroje a vede k elektrickému úderu.

BEZPEČNOSTNÍ POKYNY PRO PRÁCI SE ŠROUBOVÁKEM

Přístroj držte za izolované plochy, pokud provádíte práce, při kterých může šroub zasáhnout skryta elektrická vedení. Kontakt šroubu s vedením pod napětím může přivést napětí na kovové části přístroje a způsobit elektrický ráz.

DALŠÍ BEZPEČNOSTNÍ A PRACOVNÍ POKYNY

Použijte ochranné vybavení. Při práci s elektrickým nářadím používejte vždy ochranné brýle. Doporučujeme rovněž použití součástí ochranného oděvu a ochranné obuvi, jako protiprašné masky, ochranných rukavic, pevné a nekouzající obuvi, ochranné přílby a ochrany sluchu.

Prach vznikající při práci s tímto nářadím může být zdraví škodlivý. Proto by neměl přijít do styku s tělem. Používejte při práci vhodnou ochranou masku.

Nesmíte se opravovávat materiály, které mohou způsobit ohrožení zdraví (např. azbest)

Při zablokování nasazeného nástroje přístroj okamžitě vypněte! Přístroj nezapínejte, pokud je nasazený nástroj zablokovaný; mohl by při tom vzniknout zpětný náraz s vysokým reakčním momentem. Zjistěte příčinu zablokování nasazeného nástroje a odstraňte ji při dodržení bezpečnostních pokynů.

Možnými příčinami mohou být:

- vzpříčení v opracovávaném obrobku
- přelomení opracovávaného materiálu
- přetížení elektrického přístroje

Nezasahujte do běžícího stroje.

Nasazený nástroj se může během používání rozpálit. **VAROVÁNÍ!** Nebezpečí popálení.

- při výměně nástroje
- při odkládání přístroje

Pokud stroj běží, nesmí být odstraňovány třísky nebo odštěpky.

Při vrtání do zdi, stropu nebo podlahy dávat pozor na elektrické kabely, plynová a vodovodní potrubí.

Obrobek zabezpečte upínacím zařízením. Nezabezpečené obrobky mohou způsobit těžká poranění a poškození.

Před zahájením veškerých prací na vrtacím šroubováku vyjmout výměnný akumulátor.

Použitě nevyhazujte do domovního odpadu nebo do ohně.

Milwaukee nabízí ekologickou likvidaci starých článků, ptejte se u vašeho obchodníka s nářadím.

Náhradní akumulátor neskladujte s kovovými předměty, nebezpečí zkratu.

Akumulátor systému M18 nabíjejte pouze nabíječkou systému M18. Nenabíjejte akumulátory jiných systémů.

Náhradní akumulátory ani nabíječku neotvírejte, skladujte je v suchu, chráňte před vlhkem.

Při extrémní zátěži či vysoké teplotě může z akumulátoru vytékat kapalina. Při zasažení touto kapalinou okamžitě zasažená místa omyjte vodou a mýdlem. Při zasažení očí okamžitě důkladně po dobu alespoň 10min.omyvat a neodkladně vyhledat lékaře.

OBLAST VYUŽITÍ

Akumulátorový vrtací šroubovák je univerzálně použitelný pro vrtání a šroubování nezávisle na elektrické síti.

Toto zařízení lze používat jen pro uvedený účel.

CE-PROHLÁŠENÍ O SHODĚ

Výhradně na vlastní zodpovědnost prohlašujeme, že se výrobek popsaný v "Technických údajích" shoduje se všemi relevantními předpisy směrnice 2011/65/EU (RoHS), 2004/108/ES, 2006/42/ES a s následujícími harmonizovanými normativními dokumenty:

EN 60745-1:2009 + A11:2010

EN 60745-2-1:2010

EN 60745-2-2:2010

EN 55014-1:2006 + A1:2009 + A2:2011

EN 55014-2:1997 + A1:2001 + A2:2008

EN 50581:2012

Winnenden, 2014-09-22



Alexander Krug
Managing Director



Zplnomocněn k sestavování technických podkladů.

Techtronic Industries GmbH

Max-Eyth-Straße 10

71364 Winnenden

Germany

AKUMULÁTORY

Déle nepoužívané akumulátory je nutné před použitím znovu nabít.

Teplota přes 50°C snižuje výkon akumulátoru. Chraňte před dlouhým přehříváním na slunci či u topení.

Kontakty nabíječky a akumulátoru udržujte v čistotě.

Optimální životnost akumulátorů se zajistí, když se po použití vždy plně nabijí.

K zabezpečení dlouhé životnosti by se akumulátory měly po nabití vyjmout z nabíječky.

Při skladování akumulátoru po dobu delší než 30 dní:

Skladujte akumulátor v suchu při cca 27°C.

Skladujte akumulátor při cca 30%-50% nabíjecí kapacity.

Opakujte nabíjení akumulátoru každých 6 měsíců.

OCHRANA PROTI PŘETÍŽENÍ AKUMULÁTORU

Při přetížení akumulátoru přilší vysokým odběrem proudu, například při extrémně vysokých točivých momentech, při blokování vrtáku, náhlém zastavení nebo zkratu, začne vrtáčka na 2 sekundy bruchet a poté se samočinně vypne.

K opětovnému zapnutí uvolněte spínací tlačítko a poté jej opět zapněte.

Při extrémním zatížení se akumulátor může silně zahřát. Dojde-li k tomu, akumulátor se vypne.

Akumulátor v tomto případě k dobíti a aktivaci vložte opět do nabíječky.

PŘEPRAVA LITHIUM-IONTOVÝCH BATERIÍ

Lithium-iontové baterie spadají podle zákonných ustanovení pod přepravu nebezpečného nákladu.

Přeprava těchto baterií se musí realizovat s dodržováním lokálních, vnitrostátních a mezinárodních předpisů a ustanovení.

- Spotřebitelé mohou tyto baterie bez problémů přepravovat po komunikacích.
- Komerční přeprava lithium-iontových baterií prostřednictvím přepravních firem podléhá ustanovením o přepravě nebezpečného nákladu. Přípravu k vyexpedování a samotnou přepravu smejí vykonávat jen příslušně vyškolené osoby. Na celý proces se musí odborně dohlížet.

Při přepravě baterií je třeba dodržovat následující:

- Zajistěte, aby kontakty byly chráněné a izolované, aby se zamezilo zkratům.
- Dávejte pozor na to, aby se svazek baterií v rámci balení nemohl sesmeknout.
- Poškozené a vyteklé baterie se nesmějí přepravovat.

Ohledně dalších informací se obraťte na vaši přepravní firmu.

ÚDRŽBA

Používat výhradně příslušenství Milwaukee a náhradní díly Milwaukee. Díly jejichž výměny nebyla popsána, nechte vyměnit v autorizovaném servisu (viz. "Záruky / Seznam servisních míst")

V případě potřeby si můžete v servisním centru pro zákazníky nebo přímo od firmy Techtronic Industries GmbH, Max-Eyth-Straße 10, 71364 Winnenden, Německo vyžádat schématický náčrt jednotlivých dílů přístroje, když uvedete typ přístroje a šestimístné číslo na výkonovém štítku.

SYMBOLY



POZOR! VAROVÁNÍ! NEBEZPEČÍ!



Před zahájením veškerých prací na vrtacím šroubováku vyjmout výměnný akumulátor.



Před spuštěním stroje si pečlivě přečtěte návod k používání.



Elektrické přístroje se nesmí likvidovat společně s odpadem z domácnosti. Elektrické a elektronické přístroje je třeba sbírat odděleně a odevzdat je v recyklačním podniku na ekologickou likvidaci. Na místních úřadech nebo u vašeho specializovaného prodejce se informujte na recyklační podniku a sběrné dvory.



Značka CE

Euroasijská značka shody

TECHNICKÉ ÚDAJE AKUMULÁTOROVÁ VRŤAČKA A ÚTAHOVAČKA

M18 CDD

Výrobné číslo.....	4523 23 01...
.....	4312 01 01...
.....	..000001-999999
Priemer vrtu do ocele.....	13 mm
Priemer vrtu do dreva.....	45 mm
Skrutkovanie do dreva (bez predvrtu).....	9 mm
Otáčky naprázdno v 1. prevodovom stupni.....	0-550 min ⁻¹
Otáčky naprázdno v 2. prevodovom stupni.....	0-1850 min ⁻¹
Točivý moment (1,5 Ah / 2,0 Ah)*1.....	70 Nm
Točivý moment (3,0 Ah / 4,0 Ah)*1.....	80 Nm
Napätie výmenného akumulátora.....	18 V
Upínací rozsah skľučovadla.....	1,5-13 mm
Hmotnosť podľa vykonávacieho predpisu EPTA 01/2003 (1,5 Ah / 2,0 Ah).....	2,0 kg
Hmotnosť podľa vykonávacieho predpisu EPTA 01/2003 (3,0 Ah / 4,0 Ah).....	2,3 kg

Informácia o hluku / vibráciách

Namerané hodnoty určené v súlade s EN 60 745.

A-ohodnotená hladina akustického tlaku prístroja cini

Hladina akustického tlaku (Kolisavosť K=3dB(A))..... 76 dB (A)

Hladina akustického výkonu (Kolisavosť K=3dB(A))..... 87 dB (A)

Používajte ochranu sluchu!

Celkové hodnoty vibrácií (vektorový súčet troch smerov) zistené v zmysle EN 60745.

Hodnota vibračných emisií a_h

Vrtenie kovov.....	1,32 m/s ²
Kolisavosť K=.....	2,28 m/s ²
Skrutkovanie.....	1,32 m/s ²
Kolisavosť K=.....	2,28 m/s ²

*1 Merané podľa Milwaukee normy N 877318

POZOR

Úroveň vibrácií uvedená v týchto pokynoch bola nameraná meracou metódou, ktorú stanovuje norma EN 60745 a je možné ju použiť na vzájomné porovnanie elektrického náradia. Hodí sa aj na predbežné posúdenie kmitavého namáhania.

Uvedená úroveň vibrácií reprezentuje hlavné aplikácie elektrického náradia. Ak sa však elektrické náradie používa pre iné aplikácie, s odlišnými vloženými nástrojmi alebo s nedostatočnou údržbou, môže sa úroveň vibrácií líšiť. Toto môže kmitavé namáhanie v priebehu celej pracovnej doby podstatne zvýšiť.

Pre presný odhad kmitavého namáhania by sa mali tiež zohľadniť doby, v ktorých je náradie vypnuté alebo je sice v chode, ale v skutočnosti sa nepoužíva. Toto môže kmitavé namáhanie v priebehu celej pracovnej doby zreteľne redukovať.

Stanovte dodatočné bezpečnostné opatrenia pre ochranu obsluhy pred účinkami vibrácií, ako napríklad: údržba elektrického náradia a vložených nástrojov, udržiavanie teploty rúk, organizácia pracovných postupov.

▲ UPOZORNENIE! Prečítajte si všetky bezpečnostné pokyny a návody. Zanedbanie dodržiavania Výstražných upozornení a pokynov uvedených v nasledujúcom texte môže mať za následok zásah elektrickým prúdom, spôsobiť požiar a/alebo ťažké poranenie.

Tieto výstražné upozornenia a bezpečnostné pokyny starostlivo uschovajte na budúce použitie.

▲ BEZPEČNOSTNÉ POKYNY PRE PRÁCU S VRŤAČKOU

Pri realizovaní prác, pri ktorých nástroj môže naraziť na skryté elektrické vedenia, držte prístroj za izolované pridržiavacie plošky. Kontakt s vedením, ktoré je pod napätím, spôsobí, že aj kovové súčiastky náradia sa dostanú pod napätie, čo má za následok zásah elektrickým prúdom.

▲ BEZPEČNOSTNÉ POKYNY PRE PRÁCU SO SKRUTKOVAČOM

Kadar izvajate dela pri katerih lahko sveder zadane v prikrite električne vode, držite napravo za izolirane prijemalne površine. Stik svedra z električnim vodnikom lahko kovinske deli naprave spravi pod napetost in vodi do električnega udara.

▲ ĎALŠIE BEZPEČNOSTNÉ A PRACOVNÉ POKYNY

Použite ochranné vybavenie. Pri práci s elektrickým náradím používajte vždy ochranné okuliare. Doporučujeme taktiež použitie súčastí ochranného odevu a ochrannej obuvi, ako sú protiprašná maska, ochranné rukavice, pevná a nekľzajúca obuv, ochranná prilba a ochrana sluchu.

Prach vznikajúci pri práci môže byť škodlivý zdraviu. Pri práci nosiť vhodnú ochrannú masku, aby sa nedostal do ľudského organizmu.

Nesmú sa opravovávať materiály, ktoré môžu spôsobiť ohrozenie zdravia (napr. azbest)

Pri zablokovaní nasadeného nástroja prístroj okamžite vypnite! Prístroj nezapínajte, pokiaľ je nasadený nástroj zablokovaný; mohol by pri tom vzniknúť spätný náraz s vysokým reakčným momentom. Príčinu zablokovania nasadeného nástroja zistite a odstráňte so zohľadnením bezpečnostných pokynov.

Možnými príčinami môžu byť:

- spriečenie v opracovávanom obrobovku
- prelomenie opracovávaného materiálu
- preťaženie elektrického prístroja

Nezasahujte do bežiaceho stroja.

Nasadený nástroj sa počas používania môže rozhorčiť.

POZOR! Nebezpečenstvo popálenia

- pri výmene nástroja
- pri odkladaní prístroja

Triesky alebo úlomky sa nesmú odstraňovať za chodu stroja.

Pri práci v stene, strope alebo v podlahe dávajte pozor na elektrické káble, plynové a vodovodné potrubia.

Obrobok zabezpečte upínacím zariadením. Nezabezpečené obrobky môžu spôsobiť ťažké poranenia a poškodenia.

Pred každou prácou na stroji výmenný akumulátor vytiahnuť.

Opotrebované výmenné akumulátory nezahadzujte do ohňa alebo medzi domový odpad. Milwaukee ponúka likvidáciu starých výmenných akumulátorov, ktorá je v súlade s ochranou životného prostredia; informujte sa u Vášho predajcu.

Výmenné akumulátory neskladovať spolu s kovovými predmetmi (nebezpečenstvo skratu).

Výmenné akumulátory systému M18 nabíjajú len nabíjacími zariadeniami systému M18. Akumulátory iných systémov týmto zariadením nenabíjajú.

Výmenné akumulátory a nabíjacie zariadenia neotvárajú a skladovať len v suchých priestoroch. Chrániť pred vlhkosťou.

Pri extrémnych záťažach alebo extrémnych teplotách môže dôjsť k vytekaniu batériovej tekutiny z poškodeného výmenného akumulátora. Ak dôjde ku kontaktu pokožky s roztokom, postihnuté miesto umyť vodou a mydlom. Ak sa roztok dostane do očí, okamžite ich dôkladne vypláchnuť po dobu min. 10 min a bezodkladne vyhľadať lekára.

POUŽITIE PODĽA PREDPISOV

AKU-vrtací skrutkovač je univerzálny použiteľný na vrtenie a skrutkovanie nezávisle od sieťovej prípojky.

Tento prístroj sa smie používať len v súlade s uvedenými predpismi.

CE - VYHLÁSENIE KONFORMITY

Výhradne na vlastnú zodpovednosť vyhlasujeme, že výrobok popísaný v "Technických údajoch" sa zhoduje so všetkými relevantnými predpismi smernice 2011/65/EU (RoHS), 2004/108/EC, 2006/42/EC a nasledujúcimi harmonizujúcimi normatívnymi dokumentmi:

EN 60745-1:2009 + A11:2010

EN 60745-2-1:2010

EN 60745-2-2:2010

EN 55014-1:2006 + A1:2009 + A2:2011

EN 55014-2:1997 + A1:2001 + A2:2008

EN 50581:2012

Winnenden, 2014-09-22

Alexander Krug
Managing Director



Splnomocnený zostaviť technické podklady.

Techtronic Industries GmbH
Max-Eyth-Straße 10
71364 Winnenden
Germany

AKUMULÁTORY

Dlhší čas nepoužívané výmenné akumulátory pred použitím dobiť.

Teplota vyššia ako 50 °C znižuje výkon výmenného akumulátora. Zabráňte dlhšiemu ohriatiu slnkom alebo kúrením.

Pripájacie kontakty na nabíjacom zariadení a výmennom akumulátore udržiavať čisté.

K zachovaniu optimálnej životnosti sa batérie musejú po použití vždy úplne dobiť.

K zabezpečeniu dlhej životnosti by sa akumulátory mali po nabití vybrať z nabíjačky.

Pri skladovaní akumulátora po dobu dlhšiu než 30 dní:

Skladujte akumulátor v suchu pri cca 27 °C.

Skladujte akumulátor pri cca 30%-50% nabíjacej kapacite.

Opakujte nabíjanie akumulátora každých 6 mesiacov.

OCHRANA PROTI PREŤAŽENIU AKUMULÁTORA

Pri preťažení akumulátora príliš vysokým odberom prúdu, napríklad pri extrémne vysokých točivých momentoch, pri blokovanií vrtáka, náhlom zastavení alebo skrate, začne vrtáčka na 2 sekundy hučať a potom sa samočinne vypne. K opätovnému zapnutiu uvoľnite spinacie tlačidlo a potom ho opäť zapnite.

Pri extrémnom zaťažení sa akumulátor môže silne zahriať. Ak k tomu dôjde, akumulátor sa vypne.

Akumulátor v tomto prípade k dobitiu a aktivácii vložte opäť do nabíjačky.

PREPRAVA LÍTOVO-IÓNOVÝCH BATÉRIÍ

Lítovo-iónové batérie podľa zákonných ustanovení spadajú pod prepravu nebezpečného nákladu.

Preprava týchto batérií sa musí realizovať s dodržiavaním lokálnych, vnútroštátnych a medzinárodných predpisov a ustanovení.

- Spotrebiteľia môžu tieto batérie bez problémov prepravovať po cestách.
- Komerčná preprava lítovo-iónových batérií prostredníctvom špedičných firiem podlieha ustanoveniam o preprave nebezpečného nákladu. Pripravu k vyexpedovaniu a samotnú prepravu smú vykonávať iba adekvátne vyškolené osoby. Na celý proces sa musí odborné dohliadať.

Pri preprave batérií treba dodržiavať nasledovné:

- Zabezpečte, aby boli kontakty chránené a izolované, aby sa zamedzilo skratom.
- Dávajte pozor na to, aby sa zväzok batérií v rámci balenia nemohol zošmyknúť.
- Poškodené a vytečené batérie sa nesmú prepravovať.

Kvôli ďalším informáciám sa obráťte na vašu špedičnú firmu.

ÚDRZBA

Používať len Milwaukee príslušenstvo a Milwaukee náhradné diely. Súčiastky bez návodu na výmenu treba dať vymeniť v jednom z Milwaukee zákazníckych centier (viď brožúru Záruka/Adresy zákazníckych centier).

V prípade potreby si môžete v servisnom centre pre zákazníkov alebo priamo od firmy Techtronic Industries GmbH, Max-Eyth-Straße 10, 71364 Winnenden, Nemecko, vyžiadať schematický náčrt jednotlivých dielov prístroja pri uvedení typu prístroja a šesťmiestneho čísla na výkonovom štítku.

SYMBOLY



POZOR! NEBEZPEČENSTVO!



Pred každou prácou na stroji výmenný akumulátor vytiahnuť.



Pred prvým použitím prístroja si pozorne prečítajte návod na obsluhu.



Elektrické prístroje sa nesmú likvidovať spolu s odpadom z domácnosti. Elektrické a elektronické prístroje treba zbierať oddelene a odovzdať ich v recyklačnom podniku na ekologickú likvidáciu. Na miestnych úradoch alebo u vášho špecializovaného predajcu sa spýtajte na recyklačné podniky a zberné dvory.



Značka CE



Euroázijská značka zhody

DANE TECHNICZNE WIERTARKA/WKRETARKA AKUMULATOROWA		M18 CDD
Numer produkcyjny.....	4523 23 01...	
.....	4312 01 01...	
.....	000001-999999	
Zdolność wiercenia w stali.....	13 mm	
Zdolność wiercenia w drewnie.....	45 mm	
Wkręty do drewna (bez nawiercania wstępnego).....	9 mm	
Prędkość bez obciążenia na pierwszym biegu.....	0-550 min ⁻¹	
Prędkość bez obciążenia na drugi bieg.....	0-1850 min ⁻¹	
Moment obrotowy (1,5 Ah / 2,0 Ah)*1.....	70 Nm	
Moment obrotowy (3,0 Ah / 4,0 Ah)*1.....	80 Nm	
Napięcie baterii akumulatorowej.....	18 V	
Zakres otwarcia uchwyty wiertarskiego.....	1,5-13 mm	
Ciężar wg procedury EPTA 01/2003 (1,5 Ah / 2,0 Ah).....	2,0 kg	
Ciężar wg procedury EPTA 01/2003 (3,0 Ah / 4,0 Ah).....	2,3 kg	

Informacja dotycząca szumów / wibracji

Zmierzone wartości wyznaczono zgodnie z normą EN 60 745.
 Typowy poziom ciśnienia akustycznego mierzony wg krzywej A:
 Poziom ciśnienia akustycznego (Niepewność K=3dB(A))..... 76 dB (A)
 Poziom mocy akustycznej (Niepewność K=3dB(A)) 87 dB (A)

Należy używać ochraniaczy uszu!

Wartości łączne drgań (suma wektorowa trzech kierunków) wyznaczone zgodnie z normą EN 60745

Wartość emisji drgań a _n	
Wiercenie w metalu.....	1,32 m/s ²
Niepewność K=.....	2,28 m/s ²
Przykręcanie.....	1,32 m/s ²
Niepewność K=.....	2,28 m/s ²

*1 Zmierzone zgodnie z normą Milwauke N 877318

OSTRZEŻENIE

Podany w niniejszych instrukcjach poziom drgań został zmierzony za pomocą metody pomiarowej zgodnej z normą EN 60745 i może być użyty do porównania ze sobą elektronarzędzi. Nadaje się on również do tymczasowej oceny obciążenia wibracyjnego.

Podany poziom drgań reprezentuje główne zastosowania elektronarzędzia. Jeśli jednakże elektronarzędzie użyte zostanie do innych celów z innymi narzędziami roboczymi lub nie jest dostatecznie konserwowane, wtedy poziom drgań może wykazywać odchylenia. Może to wyraźnie zwiększyć obciążenie wibracją przez cały okres pracy.

Dla dokładnego określenia obciążenia wibracją należy uwzględnić również czasy, w których urządzenie jest wyłączone względnie jest włączone, lecz w rzeczywistości nie pracuje. Może to spowodować wyraźną redukcję obciążenia wibracyjnego w całym okresie pracy.

Należy wprowadzić dodatkowe środki zapobiegawcze celem ochrony obsługującego przed oddziaływaniem drgań, jak na przykład: konserwacja narzędzi roboczych i elektronarzędzi, nagrzanie rąk, organizacja przebiegu pracy.

⚠ OSTRZEŻENIE! Należy przeczytać wszystkie wskazówki dotyczące bezpieczeństwa i instrukcje. Błędy w przestrzeganiu poniższych wskazówek mogą spowodować porażenie prądem, pożar i/lub ciężkie obrażenia ciała.
Należy starannie przechowywać wszystkie przepisy i wskazówki bezpieczeństwa dla dalszego zastosowania.

⚠ WSKAZÓWKI BEZPIECZEŃSTWA DLA WIERTAREK

Trzymaj urządzenie za izolowane powierzchnie chwytne gdy wykonujesz roboty, w trakcie których narzędzie skrawające może natrafić na ukryte przewody prądowe. Kontakt z przewodami pod napięciem wprowadza również metalowe części urządzenia pod napięciem i prowadzi do porażenia prądem.

⚠ WSKAZÓWKI BEZPIECZEŃSTWA DLA WKRETAREK

Trzymaj urządzenie za izolowane powierzchnie chwytne, gdy wykonujesz roboty, w trakcie których śruba może natrafić na ukryte przewody prądowe. Kontakt śruby z przewodem pod napięciem może spowodować podłączenie części metalowych urządzenia do napięcia i prowadzić do porażenia prądem elektrycznym.

DODATKOWE WSKAZÓWKI BEZPIECZEŃSTWA I INSTRUKCJE ROBOCZE

Stosować wyposażenie ochronne. Przy pracy maszyną zawsze nosić okulary ochronne. Zalecana jest odzież ochronna, jak maska pyłochronna, rękawice ochronne, mocne i chroniące przed poślizgiem obuwie, kask i ochronniki słuchu.

Kurz powstający przy pracy z tym elektronarzędziem może być szkodliwy dla zdrowia, w związku z tym nie powinien dotrzeć do ciała. Nosić odpowiednią maskę przeciwpyłową.

Nie wolno obrabiać materiałów, które mogą być przyczyną zagrożenia zdrowia (na przykład azbestu).

W przypadku zablokowania narzędzia nasazanego należy natychmiast wyłączyć urządzenie! Nie należy ponownie włączać urządzenia tak długo, jak długo narzędzie nasadzone jest zablokowane; przy tym mogłyby powstać odrzut zwrotny o dużym momencie reakcyjnym. Należy wykryć i usunąć przyczynę zablokowania narzędzia nasazanego uwzględniając wskazówki dotyczące bezpieczeństwa.

Możliwymi przyczynami tego mogą być:

- Skośne ustawienie się w poddawany obróbce przedmiocie obrabianym
- Przerwanie materiału poddawanego obróbce
- Przeciążenie narzędzia elektrycznego

Nie należy sięgać do wnętrza maszyny będącej w ruchu.

Narzędzie nasadzone może w trakcie użytkowania stać się gorące.

- OSTRZEŻENIE!** Niebezpieczeństwo oparzenia się
- przy wymianie narzędzia
 - przy odstawianiu urządzenia

Podczas pracy elektronarzędzia nie wolno usuwać trocin ani drzazg.

Podczas pracy przy ścianach, sufitach i podłodze należy uważać na kable elektryczne, przewody gazowe i wodociągowe.

Należy zabezpieczyć przedmiot poddawany obróbce za pomocą urządzenia mocującego. Niezabezpieczone przedmioty poddawane obróbce mogą spowodować ciężkie obrażenia ciała i uszkodzenia.

Przed przystąpieniem do jakichkolwiek prac na elektronarzędziu należy wyjąć wkładkę akumulatorową.

Zużytych akumulatorów nie wolno wrzucać do ognia ani traktować jako odpadów domowych. Milwaukee oferuje ekologiczną utylizację zużytych akumulatorów.

Nie przechowywać akumulatorów wraz z przedmiotami metalowymi (niebezpieczeństwo zwarcia).

Akumulatory Systemu M18 należy ładować wyłącznie przy pomocy ładowarek Systemu M18. Nie ładować przy pomocy tych ładowarek akumulatorów innych systemów.

Nie otwierać wkładek akumulatorowych i ładowarek. Przechowywać w suchych pomieszczeniach. Chronić przed wilgocią.

W skrajnych warunkach temperaturowych lub przy bardzo dużym obciążeniu może dochodzić do wycieku kwasu akumulatorowego z uszkodzonych baterii akumulatorowych. W przypadku kontaktu z kwasem akumulatorowym należy natychmiast przemyć miejsce kontaktu wodą z mydłem. W przypadku kontaktu z oczami należy dokładnie przepłukiwać oczy przynajmniej przez 10 minut i zwrócić się natychmiast o pomoc medyczną.

WARUNKI UŻYTKOWANIA

Uniwersalna wiertarko-wkrętarka akumulatorowa przeznaczona jest do wiercenia i wkręcania z dala od źródła zasilania sieciowego.

Produkt można użytkować wyłącznie zgodnie z jego normalnym przeznaczeniem.

DEKLARACJA ZGODNOŚCI CE

Oświadczamy na naszą wyłączną odpowiedzialność, że produkt opisany w punkcie "Dane techniczne" jest zgodny ze wszystkimi istotnymi przepisami Dyrektywy 2011/65/EU (RoHS), 2004/108/WE, 2006/42/WE oraz z następującymi zharmonizowanymi dokumentami normatywnymi:

EN 60745-1:2009 + A11:2010
 EN 60745-2-1:2010
 EN 60745-2-2:2010
 EN 55014-1:2006 + A1:2009 + A2:2011
 EN 55014-2:1997 + A1:2001 + A2:2008
 EN 50581:2012

Winnenden, 2014-09-22

Alexander Krug

Alexander Krug
 Managing Director

Upełnomocniony do zestawienia danych technicznych

Techtronic Industries GmbH
 Max-Eyth-Straße 10
 71364 Winnenden
 Germany



BATERIE AKUMULATOROWE

Akumulatory, które nie były przez dłuższy czas użytkowane, należy przed użyciem naładować.

W temperaturze powyżej 50°C następuje spadek osiągniętych wkładki akumulatorowej. Unikać długotrwałego wystawienia na oddziaływanie ciepła lub promieni słonecznych (niebezpieczeństwo przegrzania).

Styki ładowarek i wkładek akumulatorowych należy utrzymywać w czystości

W celu zagwarantowania optymalnej żywotności należy po zakończonej eksploatacji naładować akumulatory do pełna.

Dla zapewnienia możliwie długiej żywotności akumulatory należy wyjąć z ładowarki po ich naładowaniu.

W przypadku składowania akumulatorów dłużej aniżeli 30 dni: Przechowywać je w suchym miejscu w temperaturze ok. 27°C. Przechowywać je w stanie naładowanym do ok. 30% - 50%.

Ładować je ponownie co 6 miesięcy.

AZ AKKUMULÁTOR TÚLTERHELÉS ELLENI VÉDELME

Przy przeciążeniu akumulatora bardzo dużym prądem na przykład wskutek ekstremalnie dużych momentów obrotowych, zakleszczenia wiertła, nagłego zatrzymania się lub zwarcia narzędzie elektryczne 'buczy' przez 2 sekundy i samoczynnie wyłącza się.

W celu ponownego włączenia należy zwolnić, a następnie ponownie włączyć przycisk wyłącznika.

Pod ekstremalnymi obciążeniami może dojść do silnego nagrzania się akumulatora. W takim wypadku akumulator wyłącza się.

Wówczas należy włożyć akumulator do ładowarki, aby go ponownie naładować i aktywować.

TRANSPORT AKUMULATORÓW LITOWO-JONOWYCH

Akumulatory litowo-jonowe podlegają ustawowym przepisom dotyczącym transportu towarów niebezpiecznych.

Transport tych akumulatorów winien odbywać się przy przestrzeganiu lokalnych, krajowych i międzynarodowych rozporządzeń i przepisów.

- Odbiorcom nie wolno transportować tych akumulatorów po drogach od tak po prostu.
- Komercyjny transport akumulatorów litowo-jonowych przez przedsiębiorstwa spedycyjne podlega przepisom dotyczącym transportu towarów niebezpiecznych. Przygotowania do wysyłki oraz transport mogą być wykonywane wyłącznie przez odpowiednio przeszkolone osoby. Cały proces winien odbywać się pod fachowym nadzorem.

W czasie transportu akumulatorów należy przestrzegać następujących punktów:

- Celem uniknięcia zwarcia należy upewnić się, że zestyki są zabezpieczone i zaizolowane.
- Zwracać uwagę na to, aby zespół akumulatorów nie mógł się przemieszczać we wnętrzu opakowania.
- Nie wolno transportować akumulatorów uszkodzonych lub z wyciekającym z elektrolitem.

Odnośnie dalszych wskazówek należy zwrócić się do swojego przedsiębiorstwa spedycyjnego.

UTRZYMANIE I KONSERWACJA

Używać tylko i wyłącznie wyposażenia dodatkowego Milwaukee i części zamiennych Milwaukee. Gdyby trzeba było wymienić części, które nie zostały opisane, należy skontaktować się z przedstawicielem serwisu Milwaukee (patrz wykaz adresów punktów usługowych/gwarancyjnych).

W razie potrzeby można zamówić rysunek urządzenia w rozłożeniu na części podając typ maszyny oraz sześciocyfrowy numer na tabliczce znamionowej w Punkcie Obsługi Klienta lub bezpośrednio w firmie Techtronic Industries GmbH, Max-Eyth-Straße 10, 71364 Winnenden, Germany.

SYMBOLS



UWAGA! OSTRZEŻENIE
 NIEBEZPIECZEŃSTWO!



Przed przystąpieniem do jakichkolwiek prac na elektronarzędziu należy wyjąć wkładkę akumulatorową.



Przed uruchomieniem elektronarzędzia zapoznać się uważnie z treścią instrukcji.



Urządzenia elektryczne nie mogą być usuwane razem z odpadami pochodzącymi z gospodarstw domowych.

Urządzenia elektryczne i elektroniczne należy gromadzić oddzielnie i w celu usuwania ich do odpadów zgodnie z wymaganiami środowiska naturalnego oddawać do przedsiębiorstwa utylizacyjnego.

Proszę zasięgnąć informacji o centrach recyklingowych i punktach zbiorczych u władz lokalnych lub u wyspecjalizowanego dostawcy.



Znak CE

Znak zgodności EurAsian

MŰSZAKI ADATOK AKKUMULÁTOROS FÚRÓ/CSAVARBEHAJTÓ	M18 CDD
Gyártási szám.....	4523 23 01...
.....	4312 01 01.....
.....	..000001-999999
Furat-Ø acélba	13 mm
Furat-Ø fába	45 mm
Facsavar (előfűrés nélkül).....	9 mm
Üresjárat fordulatszám 1. sebességben	0-550 min ⁻¹
Üresjárat fordulatszám 2. fokozatban	0-1850 min ⁻¹
Forgatónyomaték (1,5 Ah / 2,0 Ah)*1	70 Nm
Forgatónyomaték (3,0 Ah / 4,0 Ah)*1	80 Nm
Akkumulátor feszültség	18 V
Befogási tartomány.....	1,5-13 mm
Súly a 01/2003 EPTA-eljárás szerint (1,5 Ah / 2,0 Ah)	2,0 kg
Súly a 01/2003 EPTA-eljárás szerint (3,0 Ah / 4,0 Ah)	2,3 kg

Zaj-/Vibráció-információ

A közölt értékek megfelelnek az EN 60 745 szabványnak.

Szabvány szerinti A-értékelésű hangszint:

Hangnyomás szint (K bizonytalanság=3dB(A))..... 76 dB (A)

Hangteljesítmény szint (K bizonytalanság=3dB(A))..... 87 dB (A)

Hallásvédő eszköz használata ajánlott!

Összesített rezgésértékek (három irány vektorális összege) az EN

60745-nek megfelelően meghatározva.

a rezgésemisszió érték

Fűrés fémben

K bizonytalanság =

Csavarozás

K bizonytalanság =

*1 Az Milwaukee N 877318 szabvány szerint mérve

FIGYELMEZTETÉS

A jelen utasításokban megadott rezgésszint értéke az EN 60745-ben szabályozott mérési eljárásnak megfelelően került lemérésre, és használható elektromos szerszámokkal történő összehasonlításhoz. Az érték alkalmas a rezgésterhelés előzetes megbecsülésére is.

A megadott rezgésszint-érték az elektromos szerszám legfőbb alkalmazásait reprezentálja. Ha az elektromos szerszámot azonban más alkalmazásokhoz, eltérő használt szerszámokkal vagy nem elegendő karbantartással használják, a rezgésszint értéke eltérő lehet. Ez jelentősen megnövelheti a rezgésterhelést a munkavégzés teljes időtartama alatt.

A rezgésterhelés pontos megbecsüléséhez azokat az időket is figyelembe kell venni, melyekben a készülék lekapcsolódik, vagy ugyan működik, azonban ténylegesen nincs használatban. Ez jelentősen csökkentheti a rezgésterhelést a munkavégzés teljes időtartama alatt.

Határozzon meg további biztonsági intézkedéseket a kezelő védelmére a rezgések hatása ellen, például: az elektromos és a használt szerszámok karbantartásával, a kezek melegen tartásával, a munkafolyamatok megszerzésével.

▲ FIGYELMEZTETÉS! Olvasson el minden biztonsági útmutatást és utasítást. A következőkben leírt előírások betartásának elmulasztása áramütésekhez, tűzhoz és/vagy súlyos testi sérülésekhez vezethet. **Kérjük a későbbi használatra gondosan őrizze meg ezeket az előírásokat.**

▲ BIZTONSÁGI ÚTMUTATÁSOK FÚRÓGÉPEKHEZ

A készüléket a szigetelt markolatfelületeket fogva tartsa, ha olyan munkákat végez, melyeknél a vágószerszám rejtett elektromos vezetékbe. Ha a berendezés egy feszültség alatt álló vezetékhez ér, a berendezés fémrészei szintén feszültség alá kerülhetnek és áramütéshez vezethetnek.

▲ BIZTONSÁGI ÚTMUTATÁSOK CSAVAROZÓGÉPEKHEZ

Olyan munkák végzésekor, melyeknél a csavar rejtett áramvezetéseket érhet, a szigetelt markolati felületeknél tartsa a készüléket. A csavar feszültségvezető vezetékkel érintkezve fém alkatrészeket helyezhet feszültség alá, és elektromos áramütést idézhet elő.

TOVÁBBI BIZTONSÁGI ÉS MUNKAVÉGZÉSI UTASÍTÁSOK

Használjon védőfelszerelést! Ha a gépen dolgozik, mindig hordjon védőszemüveget! Javasoljuk a védőruházat, úgymint porvédő maszk, védőcipő, erős és csúszásbiztos lábbeli, sisak és hallásvédő használatát.

A munka során keletkező por gyakran egészségre káros, ezért ne kerüljön a szervezetbe

Hordjon e célra alkalmas porvédőmaszkot.

Nem szabad olyan anyagokat megmunkálni, amelyek egészségre veszélyesek (pl. azbesztet).

Az akkumulátort ne tárolja együtt fém tárgyakkal. (Rövidzárlat veszélye).

Az M18 elnevezésű rendszerhez tartozó akkumulátorokat kizárólag a rendszerhez tartozó töltővel tölts fel. Ne használjon más rendszerbe tartozó töltőt.

Az akkumulátort, töltőt nem szabad megbontani és kizárólag száraz helyen szabad tárolni. Nedvességtől óvni kell.

Akkumulátor sav folyhat a sérült akkumulátorból extrém terhelés alatt, vagy extrém hő miatt. Ha az akkumulátor sav a bőrére kerül azonnal mossa meg szappanos vízzel. Szembe kerülés esetén folyóvíz alatt tartsa a szemét minimum 10 percig és azonnal forduljon orvoshoz.

RENDELTESSZERŰ HASZNÁLAT

Az akkumulátoros fűrő-csavarozó készülék általánosan használható fűrészhez és csavarozáshoz.

A készüléket kizárólag az alábbiakban leírtaknak megfelelően szabad használni.

CE-AZONOSSÁGI NYILATKOZAT

Egyedüli felelősséggel kijelentjük, hogy a "Műszaki Adatok" alatt leírt termék a 2011/65/EU (RoHS), 2004/108/EK, 2006/42/EK irányelvek minden releváns előírásának, ill. az alábbi harmonizált normatív dokumentumoknak megfelel:

EN 60745-1:2009 + A11:2010

EN 60745-2-1:2010

EN 60745-2-2:2010

EN 55014-1:2006 + A1:2009 + A2:2011

EN 55014-2:1997 + A1:2001 + A2:2008

EN 50581:2012

Winnenden, 2014-09-22

Alexander Krug

Alexander Krug
Managing Director

Műszaki dokumentáció összeállításra felhatalmazva

Techtronic Industries GmbH

Max-Eyth-Straße 10

71364 Winnenden

Germany



AKKUK

A hosszabb ideig üzemen kívül lévő akkumulátort használat előtt ismétellen fel kell tölteni.

50°C feletti hőmérsékletnél csökkenhet az akkumulátor teljesítménye. Kerülni kell a túlzottan meleg helyen vagy napon történő hosszabb idejű tárolást.

A töltő és az akkumulátor csatlakozóit mindig tisztán kell tartani.

Az optimális élettartam érdekében használat után az akkukat teljesen fel kell tölteni.

A lehetőleg hosszú élettartamhoz az akkukat feltöltés után ki kell venni a töltőkészülékből.

Az akku 30 napot meghaladó tárolása esetén:

Az akkut kb. 27 °C-on, száraz helyen kell tárolni.

Az akkut kb. 30-50%-os töltöttségi állapotban kell tárolni.

Az akkut 6 havonta újra fel kell tölteni.

AZ AKKUMULÁTOR TŰLTERHELÉS ELLENI VÉDELME

Az akku túl magas áramfogyasztás miatti, pl. túl nagy forgatónyomatékok, a fűrő megszorulása, hirtelen leállás következtében fellépő túlterhelése esetén az elektromos szerszám 2 másodpercig zúg, és önműködően lekapcsol.

Az újbóli bekapcsoláshoz el kell engedni a kapcsolóbillentyűt, majd ismét be kell kapcsolni.

Extrém mértékű terhelés esetén az akku erősen felforrósodhat.

Ebben az esetben az akku lekapcsol.

Az ismételt feltöltéshez és aktiváláshoz ekkor dugja az akkut a töltőkészülékbe.

LÍTIUM-ION AKKUK SZÁLLÍTÁSA

A lítium-ion akku a veszélyes áruk szállítására vonatkozó törvényi rendelkezések hatálya alá tartoznak.

Az ilyen akku szállításának a helyi, országos és nemzetközi előírások és rendelkezések betartása mellett kell történnie.

- A fogyasztók minden további nélkül szállíthatják az ilyen akkukat közúton.
- A lítium-ion akku szállítmányozási vállalatok általi kereskedelmi célú szállítására a veszélyes áruk szállítására vonatkozó rendelkezések érvényesek. A kiszállítás előkészítését és a szállítást kizárólag megfelelő képzéssel rendelkező személyek végezhetik. A teljes folyamatnak szakmai felügyelet alatt kell történnie.

A következő pontokat kell figyelembe venni akku szállításakor:

- Biztosítsa, hogy a rövidzárlatok elkerülése érdekében az érintkezők védve és szigetelve legyenek.
- Ügyeljen arra, hogy az akkucsomag ne tudjon elcsúszni a csomagoláson belül.
- Tilos sérült vagy kifolyt akkukat szállítani.

További útmutatásokért forduljon szállítmányozási vállalatához.

KARBANTARTÁS

Csak Milwaukee tartozékokat és Milwaukee pótalkatrészeket szabad használni. Az olyan elemeket, melyek cseréje nincs ismertetve, cseréltesse ki Milwaukee szervizzel (lásd Garancia/Ügyfélszolgálat címei kiadványt).

Igény esetén a készülékről robbantott rajz kérhető a géptípus és a teljesítménycímeként található hatjegyű szám megadásával az Ön vevőszolgálatánál, vagy közvetlenül a Techtronic Industries GmbH-től a Max-Eyth-Straße 10, 71364 Winnenden, Németország címen.

SZIMBÓLUMOK



FIGYELEM! FIGYELMEZTETÉS! VESZÉLY!



Karbantartás, javítás, tisztítás, stb. előtt az akkumulátort ki kell venni a készülékből.



Kérjük alaposan olvassa el a tájékoztatót mielőtt a gépet használja.



Az elektromos eszközöket nem szabad a háztartási hulladékkal együtt ártalmatlanítani. Az elektromos és elektronikus eszközöket szelektíven kell gyűjteni, és azokat környezetbarát ártalmatlanítás céljából hulladékhasznosító üzemben kell leadni. A helyi hatóságoknál vagy szakkereskedőjénél tájékozódjon a hulladékudvarokról és gyűjtőhelyekről.



CE-jelölés

Eurázsiai megfelelőségi jelzés.

TEHNIČNI PODATKI	BATERIJSKI VRTALNIKI/VJAČNIKI	M18 CDD
Proizvodna številka.....	4523 23 01...	
.....	4312 01 01...	
.....	000001-999999	
Vrtalni ø v jeklu.....	13 mm	
Vrtalni ø v lesu.....	45 mm	
lesni vijaki (brez predhodnega vrtanja).....	9 mm	
Število vrtljajev v prostem teku v 1. prestavi.....	0-550 min ⁻¹	
Število vrtljajev v prostem teku v 2. prestavi.....	0-1850 min ⁻¹	
Vrtilni moment (1,5 Ah / 2,0 Ah)*1.....	70 Nm	
Vrtilni moment (3,0 Ah / 4,0 Ah)*1.....	80 Nm	
Napetost izmenljivega akumulatorja.....	18 V	
Napenjalno področje vpenjalne glave.....	1,5-13 mm	
Teža po EPTA-proceduri 01/2003 (1,5 Ah / 2,0 Ah).....	2,0 kg	
Teža po EPTA-proceduri 01/2003 (3,0 Ah / 4,0 Ah).....	2,3 kg	

Informacije o hrupnosti/vibracijah

Vrednosti merjenja ugotovljene ustrezno z EN 60 745.

A ocenjeni nivo zvočnega tlaka znaša tipično

Nivo zvočnega tlaka (Nevarnost K=3dB(A))..... 76 dB (A)

Višina zvočnega tlaka (Nevarnost K=3dB(A))..... 87 dB (A)

Nosite zaščito za sluh!

Skupna vibracijska vrednost (Vektorska vsota treh smeri) določena ustrezno EN 60745.

Vibracijska vrednost emisij a_n

Vrtanje v kovine..... 1,32 m/s²

Nevarnost K=..... 2,28 m/s²

Vijačenje..... 1,32 m/s²

Nevarnost K=..... 2,28 m/s²

*1 Izmerjeno po Milwaukee normi N 877318

OPOZORILO

V teh navodilih navedena raven tresljajev je bila izmerjena po EN60745 normiranem merilnem postopku in lahko služi medsebojni primerjavi električnih orodij. Prav tako je primeren za predhodno oceno obremenitve s tresljaji.

Navedena raven tresljajev navaja najpomembnejše vrste rabe električnega orodja. Kadar se električno orodje uporablja za drugačne namene, z odstopajočimi orodji ali pa z nezadostnim vzdrževanjem, lahko raven tresljajev tudi odstopa. Le to lahko čez celoten delovni čas znatno zviša obremenitev s tresenjem.

Za natančno oceno obremenitve s tresljaji naj bi se upošteval tudi čas v katerem je naprava izklopljena ali sicer teče, vendar dejansko ni v rabi. Le to lahko obremenitev s tresljaji čez celoten delovni čas znatno zmanjša.

Za zaščito upravljalca pred učinkom tresljajev uvedite dodatne zaščitne ukrepe npr.: Vzdrževanje električnega orodja in orodja, delo s toplimi rokami, organizacija delovnih potekov.

⚠ OPOZORILO! Preberite vsa varnostna opozorila in navodila.

Napake zaradi neupoštevanja spodaj navedenih opozoril in napotil lahko povzročijo električni udar, požar in/ali težke telesne poškodbe.

Vsa opozorila in napotila shranite, ker jih boste v prihodnje še potrebovali.

⚠ VARNOSTNI NAPOTKI ZA VRTALNI STROJ

Kadar izvajate dela pri katerih lahko orodje zadane prikrito električno napeljavo, je napravo potrebno držati za izolirane prijemalne površine.

Stik z električnim vodnikom, ki je pod napetostjo, povzroči napetost tudi v kovinskih delih naprave, kar ima za posledico električni udar.

⚠ VARNOSTNI NAPOTKI ZA VRTALNIK

Kadar izvajate dela pri katerih lahko sveder zadane v prikrito električne vode, držite napravo za izolirane prijemalne površine. Stik svedra z električnim vodnikom lahko kovinske deli naprave spravi pod napetost in vodi do električnega udara.

NADALJNA VARNOSTNA IN DELOVNA OPOZORILO

Uporabite zaščitno opremo. Pri delu s strojem vedno nosite zaščitna očala. Priporočajo se zaščitna oblačila, kot npr. maska za zaščito proti prahu, zaščitne rokavice, trdno in neдрseče obuvanje, čelada in zaščita za sluh.

Prah, ki nastaja pri delu, je pogosto zdravju škodljiv in naj ne zaide v telo. Nosite ustrezno masko proti prahu.

Obdelava materialov, iz katerih izhaja ogroženost zdravja (npr. azbest), ni dovoljena.

V primeru blokade orodja napravo takoj izklopite! Naprave ponovno ne vklaplajte dokler je orodje blokirano; pri tem bi lahko prišlo do povratnega udara z velikim reakcijskim momentom. Ugotovite in odpravite vzroke blokade orodja ob upoštevanju varnostnih navodil.

Možni razlogi so lahko:

- Zagozditev v obdelovancu
- prežganje obdelovanega materiala
- Preobremenitev električnega orodja

Ne segajte v stroj v teku.

Orodje lahko med uporabo postane vroče.

OPOZORILO! Nevarnost opeklin

- pri menjavi orodja
- pri odlaganju naprave

Trske ali iveri se pri tekočem stroju ne smejo odstranjevati.

Pri delih na steni, stropu ali v tleh pazite na električne kable, plinske in vodne napeljave.

Obdelovanec zavarujte z vpenjalno pripravo. Nezavarovani obdelovanci lahko povzročijo težke poškodbe in okvare.

Pred vsemi deli na stroji odstranite izmenljivi akumulator.

Izrabljenih izmenljivih akumulatorjev ne mečite v ogenj ali v gospodinjinske odpadke. Milwaukee nudi okolju prijazno odlaganje starih izmenljivih akumulatorjev; prosimo povprašajte vašega strokovnega trgovca.

Izmenljivih akumulatorjev ne hranite skupaj s kovinskimi predmeti (nevarnost kratkega stika).

Izmenljive akumulatorje sistema v polnite samo s polnilnimi aparati sistema M18. Ne polnite nobenih akumulatorjev iz drugih sistemov.

Izmenljivih akumulatorjev in polnilnih aparatov ne odpirajte in jih hranite samo v suhih prostorih. Zaščitite jih pred mokroto.

Pod ekstremno obremenitvijo ali ob ekstremni temperaturi iz poškodovanega izmenljivega akumulatorja lahko izteka akumulatorska tekočina. Po stiku z akumulatorsko tekočino prizadeto mesto takoj izperite z vodo in milom. Po stiku z očmi takoj najmanj 10 minut dolgo temeljito izpirajte in nemudoma obiščite zdravnika.

UPORABA V SKLADU Z NAMEMBOSTJO

Akumulatorski vrtalnik – izvajatelj je univerzalno uporaben za vrtnanje in vijačenje neodvisno od omrežnega priključka.

Ta naprava se sme uporabiti samo v skladu z namembnostjo uporabiti samo za navedene namene.

CE-IZJAVA O KONFORMNOSTI

V lastni odgovornosti izjavljamo, da se pod "Tehnični podatki" opisan proizvod ujema z vsemi relevantnimi predpisi smernice 2011/65/EU (RoHS), 2004/108/ES, 2006/42/ES in s sledečimi harmoniziranimi normativnimi dokumenti:

EN 60745-1:2009 + A11:2010

EN 60745-2-1:2010

EN 60745-2-2:2010

EN 55014-1:2006 + A1:2009 + A2:2011

EN 55014-2:1997 + A1:2001 + A2:2008

EN 50581:2012

Winnenden, 2014-09-22



Alexander Krug
Managing Director



Pooblaščen za izdelavo spisov tehnične dokumentacije.

Techtronic Industries GmbH
Max-Eyth-Straße 10
71364 Winnenden
Germany

AKUMULATORJI

Izmenljive akumulatorje, ki jih daljši čas niste uporabljali, pred uporabo naknadno napolnite.

Temperatura nad 50°C zmanjšuje zmogljivost izmenljivega akumulatorja. Izogibajte se daljšemu segrevanju zaradi sončnih žarkov ali gretja.

Pazite, da ostanete priključni kontakti na polnilnem aparatu in izmenljivem akumulatorju čisti.

Za optimalno življenjsko dobo je akumulatorje potrebno po uporabi napolniti do konca.

Za čim daljšo življenjsko dobo naj se akumulatorji po napolnitvi zamejejo ven iz naprave za polnjenje.

Pri skladiščanju akumulatorjev daj kot 30 dni:

Akumulator skladiščiti pri 27°C in na suhem.

Akumulator skladiščiti pri 30%-50% stanja polnjenja.

Akumulator spet napolniti vsakih 6 mesecev.

ZAŠČITA PReobremenitve AKUMULATORJA

V primeru preobremenitve akumulatorjev zaradi zelo visoke porabe toka, npr. ekstremno visokih vrtilnih momentov, zatika svedra, nenadne zaustavitve ali kratkega stika, električno orodje 2 sekundi brni in se samodejno izklopi.

Za ponoven vklop izpustite tipko stikala in nato znova vklopite. Pod ekstremnimi obremenitvami se lahko akumulator močno segreje. V tem primeru se akumulator izklopi.

Pod ponovno polnitev in aktiviranje akumulatorja ga je potrebno vstaviti v polnilec.

TRANSPORT LITIJ-IONSkih AKUMULATORJEV

Litij-ionski akumulatorji so podvrženi zakonskim določbam transporta nevarnih snovi.

Transport teh akumulatorjev se mora izvajati upoštevajoč lokalne, nacionalne in mednarodne predpise in določbe.

- Potrošniki lahko te akumulatorje še nadalje transportirajo po cesti.
- Komercialni transport litij-ionskih akumulatorjev s strani špediterskih podjetij je podvržen določbam transporta nevarnih snovi. Priprava odpreme in transporta se lahko vrši izključno s strani ustrezno izšolanih oseb. Celoten proces je potrebno strokovno spremljati.

Pri transportu akumulatorjev je potrebno upoštevati sledeče točke:

- V izogib kratkim stikom zagotovite, da bodo kontakti zaščiteni in izolirani.
- Bodite pozorni na to, da paket akumulatorja v notranjosti embalaže ne bo mogel zdrsniti.
- Poškodovanih ali iztekajočih akumulatorjev ni dovoljeno transportirati.

Za nadaljnja navodila se obrnite na vaše špeditersko podjetje.

VZDRŽEVANJE

Uporabljajte samo Milwaukee pribor in Milwaukee nadomestne dele. Poskrbite, da sestavne dele, katerih zamenjava ni opisana, zamenjajo v Milwaukee servisni službi (upoštevajte brošuro Garancija/Naslovi servisnih služb).

Po potrebi je mogoče pri vašem servisnem mestu ali neposredno pri Techtronic Industries GmbH, Max-Eyth-Straße 10, 71364 Winnenden, Germany, naročiti eksplozijsko risbo naprave ob navedbi tipa stroja in na tablici navedene šestmestne številke.

SIMBOLI



POZOR! OPOZORILO! NEVARNO!



Pred vsemi deli na stroji odstranite izmenljivi akumulator.



Prosimo, da pred uporabo pazorno preberete to navodilo za uporabo.



Električnih naprav ni dovoljeno odstranjevati skupaj z gospodinjstvi odpadki. Električne in elektronske naprave je potrebno zbirati ločeno in za okolju prijazno odstranitev, oddati podjetju za reciklažo. Pri krajevem uradu ali vašem strokovnem prodajalcu se pozanimajte glede reciklažnih dvorišč in zbirnih mest.



CE-znak



EurAsian oznaka o skladnosti.

TEHNIČKI PODACI	AKUMULATORSKI BUŠAČI IZVIJAČ	M18 CDD
Broj proizvodnje.....	4523 23 01...	
.....	4312 01 01...	
.....	000001-999999	
Bušenje-Ø u čelik.....	13 mm	
Bušenje-Ø u drvo.....	45 mm	
Vijci za drvo (bez prebušenja).....	9 mm	
Broj okretaja praznog hoda u 1. brzini.....	0-550 min ⁻¹	
Broj okretaja praznog hoda u 2. brzini.....	0-1850 min ⁻¹	
Okretni moment (1,5 Ah / 2,0 Ah)*1.....	70 Nm	
Okretni moment (3,0 Ah / 4,0 Ah)*1.....	80 Nm	
Napon baterije za zamjenu.....	18 V	
Područje stezne glave za stezanje svrdla.....	1,5-13 mm	
Težina po EPTA-proceduri 01/2003 (1,5 Ah / 2,0 Ah).....	2,0 kg	
Težina po EPTA-proceduri 01/2003 (3,0 Ah / 4,0 Ah).....	2,3 kg	

Informacije o buci/vibracijama

Mjerne vrijednosti utvrđene odgovarajuće EN 60 745.

A-procjenjeni nivo pritiska zvuka aparata iznosi tipično

Nivo pritiska zvuka (Nesigurnost K=3dB(A))..... 76 dB (A)

Nivo učinka zvuka (Nesigurnost K=3dB(A))..... 87 dB (A)

Nositi zaštitu sluha!

Ukupne vrijednosti vibracije (Vektor suma tri smjera) su odmjerene odgovarajuće EN 60745

Vrijednost emisije vibracije a_h

Bušenje metala..... 1,32 m/s²

Nesigurnost K=..... 2,28 m/s²

Vijčanje..... 1,32 m/s²

Nesigurnost K=..... 2,28 m/s²

*1 Mjereno po Milwaukee normi N 877318

UPOZORENIE

Ova u ovim uputama navedena razina titranja je bila izmjerena odgovarajuće jednom u EN 60745 normiranom mjernom postupku i može se upotrijebiti za usporedbu električnog alata međusobno. Ona je prikladna i za privremenu procjenu titrajnog opterećenja.

Navedena razina titranja reprezentira glavne primjene električnog alata. Ukoliko se električni alat upotrebljava u druge svrhe sa odstupajućim primijenjenim alatima ili nedovoljnim održavanjem, onda razina titranja može odstupati. To može titrajno opterećenje kroz cijeli period rada bitno povisiti.

Za točnu procjenu titrajnog opterećenja se moraju uzeti u obzir i vremena u kojima je uređaj isključen ili u kojima doduše radi, ali nije i stvarno u upotrebi. To može titrajno opterećenje bitno smanjiti za vrijeme cijelog radnog perioda.

Utvrđite dodatne sigurnosne mjere za zaštitu poslužioca protiv djelovanja titranja kao npr.: Održavanje električnih alata i upotrebljenih alata, održavanje topline ruku, organizacija i radne postupke.

⚠ UPOZORENJE! Pročitajte molimo sve sigurnosna upozorenja i upute. Ako se ne bi poštivala napomene o sigurnosti i upute to bi moglo uzrokovati strujni udar, požar i/ili teške ozljede. **Sačuvajte sve napomene o sigurnosti i upute za buduću primjenu.**

⚠ SIGURNOSNE UPUTE ZA BUŠILICE

Držite spravu na izoliranim držačkim površinama kada izvodite radove kod kojih rezački alat može pogoditi skrivene vodove struje. Kontaktom s vodovima pod naponom, pod napon će se staviti i metalni dijelovi uređaja, što može dovesti do električnog udara.

⚠ SIGURNOSNE UPUTE ZA ZAVRTAČ

Držite spravu na izoliranim držačkim površinama kada izvodite radove kod kojih rezački alat može pogoditi skrivene vodove struje. Kontakt rezačkog alata sa vodovima koji sprovode naponm može metalne dijelove sprave dovesti pod napon i tako dovesti do električnog udara.

OSTALE SIGURNOSNE I RADNE UPUTE

Upotrebljavati zaštitnu opremu. Kod radova sa strojem uvijek nositi zaštitne naočale. Preporučuje se zaštitna odjeća, kao zaštitna maska protiv prašine, zaštitne rukavice, čvrste i protiv klizanja sigurne cipele, šljem i zaštitu sluha.

Prašina koja nastaje prilikom rada je često nezdrava i ne bi smijela dospjeti u tijelo. Nositi prikladnu zaštitnu masku protiv prašine.

Ne smiju se obrađivati nikakvi materijali, od kojih prijeti opasnost po zdravlje (npr. azbest).

Kod blokiranja alata koji se upotrebljava uređaj molimo odmah isključiti! Uređaj nemojte ponovno uključiti za vrijeme dok je alat koji se upotrebljava blokiran; time može doći do povratnog udara sa visokim reakcijskim momentom. Pronađite i otklonite uzrok blokiranja alata koji se upotrebljava uz poštivanje sigurnosnih uputa.

Mogući uzroci tome mogu biti:

- Izobličavanje u izratku koji se obrađuje
- Probijanje materijala koji se obrađuje
- Preopterećenje električnog alata

Nemojte sezati u stroj koji radi.

Upotrebljeni alat se može za vrijeme korištenja zagrijati.

UPOZORENIE! Opasnost od opekotina

- kod promjene alata
- kod odlaganja uređaja

Piljevina ili i verje se za vrijeme rada stroja ne smiju odstranjivati.

Kod radova na zidu, stroju ili podu paziti na električne kablove kao i vodove plina i vode.

Osigurajte vaš izradak jednim steznim uređenjem. Neosigurani izradci mogu prouzročiti teške povrede i oštećenja.

Prije svih radova na stroju izvaditi bateriju za zamjenu.

Istrošene baterije za zamjenu ne bacati u vatru ili u kućno smeće. Milwaukee nudi mogućnost uklanjanja starih baterija odgovarajuće okolini. Milwaukee nudi mogućnost uklanjanja starih baterija odgovarajuće okolini; upitajte molimo Vašeg stručnog trgovca.

Baterije za zamjenu ne čuvati skupa sa metalnim predmetima (opasnost od kratkog spoja).

Baterije sistema M18 puniti samo sa uređajem za punjenje sistema M18. Ne puniti baterije iz drugih sistema.

Baterije za zamjenu i uređaje za punjenje ne otvarati i čuvati ih samo u suhim prostorijama. Čuvati protiv vlage.

Pod ekstremnim opterećenjem ili ekstremne temperature može iz oštećenih baterija iscuriti baterijska tekućina. Kod dodira sa baterijskom tekućinom odmah isprati sa vodom i sapunom. Kod kontakta sa očima odmah najmanje 10 minuta temeljno ispirati i odmah potražiti liječnika.

PROPIŠNA UPOTREBA

Baterijska bušilica-zavrtač je univerzalno upotrebljiva za bušenje i zavrtanje, neovisno o priključku na mrežu.

Ovaj aparat se smije upotrijebiti samo u određene svrhe kao što je navedeno.

CE-IZJAVA KONFORMNOSTI

Izjavljujemo na osobnu odgovornost, da je proizvod opisan pod "Tehnički podaci", sukladan sa svim relevantnim propisima smjernice 2011/65/EU (RoHS), 2004/108/EC, 2006/42/EC i sa sljedećim harmoniziranim normativnim dokumentima:

EN 60745-1:2009 + A11:2010

EN 60745-2-1:2010

EN 60745-2-2:2010

EN 55014-1:2006 + A1:2009 + A2:2011

EN 55014-2:1997 + A1:2001 + A2:2008

EN 50581:2012

Winnenden, 2014-09-22



Alexander Krug
Managing Director



Ovlašten za formiranje tehničke dokumentacije.

Techtronic Industries GmbH
Max-Eyth-Straße 10
71364 Winnenden
Germany

BATERIJE

Baterije koje duže vremena nisu korištene, prije upotrebe napuniti.

Temperatura od preko 50°C smanjuje učinak baterija. Duže zagrijavanje od strane sunca ili grijanja izbjeci.

Priključne kontakte na uređaju za punjenje i baterijama držati čistima.

Za optimalni vijek trajanja se akumulatori poslije upotrebe moraju sasvim napuniti.

Za što moguće duži vijek trajanja, akumulatori se nakon punjenja moraju odstraniti iz punjača.

Kod skladištenja akumulatora duže od 30 dana:

Akumulator skladištiti na suhom kod ca. 27°C.

Akumulator skladištiti kod ca. 30%-50% stanja punjenja.

Akumulator ponovno napuniti svakih 6 mjeseci.

ZAŠTITA OD PREOPTEREĆENJA AKUMULATORA

Kod preopterećenja akumulatora kroz visoku potrošnju struje, npr. ekstremno visoki okretni momenti, zaglavljenje svrdla, naglo zaustavljanje ili kratki spoj, elektroalat brui 2 sekunde dugo i isključuje se samostalno.

Za ponovno uključivanje ispuštiti otklopac prekidača i zatim ponovno uključiti.

Pod ekstremnim opterećenjima se akumulator može jako zagrijati. U ovom slučaju se akumulator isključuje.

Akumulator zatim utaknuti u punjač kako bi se ovaj ponovno napunio i zatim aktivirao.

TRANSPORT LITIJSKIH IONSKIH BATERIJA

Litijske-ionske baterije spadaju pod zakonske odredbe u svezi transporta opasne robe.

Prijevoz ovih baterija mora uslijediti uz poštivanje lokalnih, nacionalnih i internacionalnih propisa i odredaba.

- Korisnici mogu bez ustručavanja ove baterije transportirati po cestama.
- Komercijalni transport litijsko-ionskih baterija od strane transportnih poduzeća spada pod odredbe o transportu opasne robe. Otpremničke pripreme i transport smiju izvoditi isključivo odgovarajuće školovane osobe. Kompletni proces se mora pratiti na stručan način.

Kod transporta baterija se moraju poštivati sljedeće točke:

- Uvjerite se da su kontakti zaštićeni i izolirani kako bi se izbjegli kratki spojevi.
- Pazite na to, da blok baterija unutar pakiranja ne može proklizavati.
- Oštećene ili iscurjele baterije se ne smiju transportirati.

U svezi ostalih uputa obratite se vašem prijevoznom poduzeću.

ODRŽAVANJE

Primijeniti samo Milwaukee opremu i Milwaukee rezervne dijelove. Sastavne dijelove, čija zamjena nije opisana, dati zamijeniti kod jedne od Milwaukee servisnih službi (poštivati brošuru Garancija/ Adrese servisa).

Po potrebi se crtež pojedinih dijelova aparata uz navođenje podatka o tipu stroja i šestznamenastog broja na pločici snage može zatražiti kod vašeg servisa ili direktno kod Techtronic Industries GmbH, Max-Eyth-Straße 10, 71364 Winnenden, Njemačka.

SIMBOLI



PAŽNJA! UPOZORENIE! OPASNOST!



Prije svih radova na stroju izvaditi bateriju za zamjenu.



Molimo da pažljivo pročitate uputu o upotrebi prije puštanja u rad.



Električni uređaji se ne smiju zbrinjavati skupa sa kućnim smećem. Električni uređaji se moraju skupljati odvojeno i predati na zbrinjavanje primjereno okolišu jednom od pogona za iskorišćavanje. Raspijajte se kod mjesnih vlasti ili kod stručnog trgovca u svezi gospodarstva za recikliranje i mjesta skupljanja.



Oznaka-CE



EurAsian znak konformnosti.

TEHNISKIE DATI	AKUMULATORAS URBIS	M18 CDD
Izlaides numurs	4523 23 01...	4312 01 01...
.....000001-999999
Urbšanas diametrs tēraudā	13 mm	
Urbšanas diametrs kokā	45 mm	
Koka skrūves (bez iepriekšējas urbšanas)	9 mm	
Apgrīzieni tukšgaitā 1. ātrumā	0-550 min ⁻¹	
Apgrīzieni tukšgaitā 2. ātrumā	0-1850 min ⁻¹	
Griezes moments (1,5 Ah / 2,0 Ah)*1	70 Nm	
Griezes moments (3,0 Ah / 4,0 Ah)*1	80 Nm	
Akumulātorā spriegums	18 V	
Urbja stiprinājuma amplitūda	1,5-13 mm	
Svars atbilstoši EPTA -Procedure 01/2003 (1,5 Ah / 2,0 Ah)	2,0 kg	
Svars atbilstoši EPTA -Procedure 01/2003 (3,0 Ah / 4,0 Ah)	2,3 kg	

Trokšņu un vibrāciju informācija

Vērtības, kas noteiktas saskaņā ar EN 60 745.

Instrumenta tipiskais pēc A vērtētais trokšņa spiediena līmenis parasti sastāda

Trokšņa spiediena līmenis (Nedrošība K=3dB(A)) 76 dB (A)
Trokšņa jaudas līmenis (Nedrošība K=3dB(A)) 87 dB (A)

Nēsāt trokšņa slāpētāju!

Svārstību kopējā vērtība (Trīs virzienu vektoru summa) tiek noteikta atbilstoši EN 60745.

svārstību emisijas vērtība a_n

Metāla urbis..... 1,32 m/s²
Nedrošība K= 2,28 m/s²
Skrūvēšana 1,32 m/s²
Nedrošība K= 2,28 m/s²

*1 Mērīts saskaņā ar firmas Milwaukee normu N 877318

UZMANĪBU

Instrukcijā norādītā svārstību robežvērtība ir izmērīta mērījumu procesā, kas veikts atbilstoši standartam EN 60745, un to var izmantot elektroinstrumentu savstarpējai salīdzināšanai. Tā ir piemērota arī svārstību noslogojuma pagaidu izvērtēšanai.

Norādītā svārstību robežvērtība ir reprezentatīva elektroinstrumenta pamata pielietojuma jomām. Tomēr, ja elektroinstruments tiek pielietots citās jomās, papildus izmantojot neatbilstošus elektroinstrumentus vai pēc nepietiekamas tehniskās apkopes, tad svārstību robežvērtība var atšķirties. Tas var ievērojami palielināt svārstību noslogojumu visa darba laikā.

Precīzai svārstību noslogojuma noteikšanai, ir jāņem vērā arī laiks, kad ierīces ir izslēgta vai arī ir ieslēgta, tomēr faktiski netiek lietota. Tas var ievērojami samazināt svārstību noslogojumu visa darba laikā.

Integrējiet papildus drošības pasākumus pret svārstību ietekmi lietotājam, piemēram: elektroinstrumentu un darba instrumentu tehniskā apkope, roku siltuma uzturēšana, darba procesu organizācija.

▲ BRĪDINĀJUMS! Izlasiet visus drošības brīdinājumus un instrukcijas. Šeit sniegto drošības noteikumu un norādījumu neievērošana var izraisīt aizdegšanos un būt par cēloni elektriskajam triecienam vai nopietnam savainojumam. **Pēc izlasīšanas uzglabājiet šos noteikumus turpmākai izmantošanai.**

▲ DROŠĪBAS NOSACĪJUMI LIETOJOT URBJMAŠĪNAS

Lerīci turiet aiz izolētiem rokturiem, ja veicat darbus, kuros griešanas darbiem izmantojamais instruments var skart paslēptus elektro vadus. Asmenim ieskaroties ar vadiem, kuriem tiek pievadīts fāzes spriegums, šis spriegums nonāk arī uz instrumenta korpusa strāvu vadu daļām un var izraisīt elektrisko triecienu.

▲ DROŠĪBAS NOSACĪJUMI LIETOJOT SKRŪVGRĪZŅUS

Turiet ierīci aiz izolētajām turēšanas virsmām, veicot darbus, kur skrūve var skart apslēptus elektrības vadus. Skrūves kontakts ar spriegumu vadu vadu var ierīces metāla daļās uzlādēt un novest pie elektriskās strāvas trieciena.

CITAS DROŠĪBAS UN DARBA INSTRUKCIJAS

Jāizmanto aizsargaprīkojums. Strādājot ar mašīnu, vienmēr jānēsā aizsargbrilles. Ieteicams nēsāt aizsargapģērbu, kā piemēram, aizsargmasku, aizsargcimdus, kurpes no stingra un neslīdīga materiāla, ķiveri un ausu aizsargus.

Putekļi, kas rodas darba gaitā, bieži ir kaitīgi veselībai un tiem nevajadzētu nokļūt organismā. Jānēsā piemērota maska, kas pasargā no putekļiem.

Nedrīkst apstrādāt materiālus, kas rada draudus veselībai (piemēram, azbestu).

Ja izmantojamais darba rīks tiek bloķēts, nekavējoties izslēgt ierīci! Neieslēdziet ierīci, kamēr izmantojamais darba rīks ir bloķēts; var rasties atsitieni ar augstu griezes momentu. Noskaidrojiet un novērsiet izmantojamā darba rīka bloķēšanas iemeslu, ievērojot visas drošības norādes.

Iespējamie iemesli:

- iesprūdis apstrādājamajā materiālā
- apstrādājama materiāls ir caursists
- elektroinstruments ir pārslēgots

Leslēgtai ierīcei nepieskarieties.

Izmantojamais darba rīks darba gaitā var stipri sakarst.

UZMANĪBU! Bīstamība apdedzināties

- veicot darba rīka nomaiņu
- noliekot iekārtu

Skaidas un atlūzas nedrīkst ņemt ārā, kamēr mašīna darbojas.

Veicot darbus sienu, griestu un grīdas apvidū, vajag uzmanīties, lai nesabojātu elektriskos, gāzes un ūdens vadus.

Fiksējiet apstrādājamo materiālu ar fiksācijas aprīkojumu. Nenostiprināti materiāli var izraisīt smagus savainojumus un bojājumus.

Pirms mašīnai veikt jebkāda veida apkopes darbus, ir jāizņem ārā akumulātors.

Izmantotos akumulārus nedrīkst mest ugunī vai parastajos atkritumos. Firma Milwaukee piedāvā iespēju vecos akumulātorus savākt apkārtējo vidi saudzējošā veidā; jautājiet specializētā veikalā.

Akumulātorus nav ieteicams glabāt kopā ar metāla priekšmetiem (iespējams īsslēgums).

M18 sistēmas akumulātorus lādēt tikai ar M18 sistēmas lādētājiem. Nedrīkst lādēt citus akumulātorus no citām sistēmām.

Akumulātorus un lādētājus nedrīkst tīstīt vaiņā un tie jāuzglabā sausās telpās.

Pie ārkārtas slodzes un ārkārtas temperatūrām no bojātā akumulātorā var izteciēt akumulātorā šķidrums. Ja nonākat saskarsmē ar akumulātorā šķidrumu, saskarsmes vieta nekavējoties jānomazgā ar ūdeni un ziepēm. Ja šķidrums nonācis acīs, acis vismaz 10 min. skalot un nekavējoties konsultēties ar ārstu.

NOTEIKUMIEM ATBILSTOŠS IZMANTOJUMS

Skrūvgrīznis - Urbjmašīna ar akumulātoriem ir universāli izmantojama urbšanai un skrūvēšanai neatkarīgi no tīkla pieslēguma.

Šo instrumentu drīkst izmantot tikai saskaņā ar minētajiem lietošanas noteikumiem.

ATBILSTĪBA CE NORMĀM

Mēs apliecinām, ka produkts, kura tehniskie parametri aprakstīti "tehniko datu lapā", pilnībā atbilst prasībām saskaņā ar direktīvām 2011/65/EU (RoHS), 2004/108/EK, 2006/42/EK un attiecīgajiem harmonizētajiem normatīvajiem dokumentiem:

EN 60745-1:2009 + A11:2010

EN 60745-2-1:2010

EN 60745-2-2:2010

EN 55014-1:2006 + A1:2009 + A2:2011

EN 55014-2:1997 + A1:2001 + A2:2008

EN 50581:2012

Winnenden, 2014-09-22

Alexander Krug
Managing Director



Pilnvarotais tehniskās dokumentācijas sastādīšanā.

Techronic Industries GmbH
Max-Eyth-Straße 10
71364 Winnenden
Germany

AKUMULĀTORI

Akumulātori, kas ilgāku laiku nav izmantoti, pirms lietošanas jāuzlādē.

Pie temperatūras, kas pārsniedz 50°C, akumulātoru darbība tiek negatīvi ietekmēta. Vajag izvairīties no ilgākas saules un karstuma iedarbības.

Lādētāja un akumulātoru pievienojuma kontakti jāuztur tīri.

Lai baterijām būtu optimāls mūžs, pēc lietošanas bateriju bloks pilnībā jāuzlādē.

Lai akumulatori kalpotu pēc iespējas ilgāku laiku, tos pēc uzlādes ieteicams atvienot no lādētāj ierīces.

Akumulātoru uzglabāšana ilgāk kā 30 dienas: uzglabāt akumulatoru pie aptuveni 27° C un sausā vietā. Uzglabāt akumulatoru uzlādes stāvoklī aptuveni pie 30%-50%. Uzlādēt akumulatoru visus 6 mēnešus no jauna.

AKUMULATORA AIZSARDZĪBA PRET PĀRSLOGOJUMU

Akumulatoru pārslēguma gadījumos, esot ļoti lielam elektroenerģijas patēriņam, piem., ārkārtīgi augsts griezes moments, urbja iekersšanās, pēkšņa apstāšanās vai īssavienojums, elektriskais darbarīks 2 sekundes ruc, un pats izslēdzas. Lai to atkal ieslēgtu, atlaidiet ieslēgšanas pogu un tad to ieslēdziet no jauna.

Esot ārkārtīgi augstam noslogojumam, akumulators var spēcīgi sakarst. Šādā gadījumā akumulators atslēdzas. Akumulatoru var ievietot lādētājā, lai to atkal uzlādētu un aktivizētu.

LITĪJA JONU AKUMULATORU TRANSPORTĒŠANA

Uz litija jonu akumulatoriem attiecas noteikumi par bīstamo kravu pārvadāšanu.

Šo akumulatoru transportēšana jāveic saskaņā ar vietējiem, valsts un starptautiskajiem normatīvajiem aktiem un noteikumiem.

- Patērētāja darbības, pārvadājot šos akumulatorus pa autoceļiem, nav reglamentētas.
- Uz litija jonu akumulatoru komerciālu transportēšanu, ko veic ekspedīcijas uzņēmums, attiecas bīstamo kravu pārvadāšanas noteikumi. Sagatavošanas darbus un transportēšanu drīkst veikt tikai atbilstoši apmācīts personāls. Viss process jāveda profesionāli.

Veicot akumulatoru transportēšanu, jāievēro:

- Pārliecinieties, ka kontakti ir aizsargāti un izolēti, lai izvairītos no īssavienojumiem.
- Pārliecinieties, ka akumulators iepakojumā nevar paslīdēt.
- Bojātus vai tekošus akumulatorus nedrīkst transportēt.

Plašāku informāciju Jūs varat saņemt no ekspedīcijas uzņēmuma.

APKOPE

Izmantojiet tikai firmu Milwaukee piederumus un firmas Milwaukee rezerves daļas. Lieciet nomainīt detaļas, kuru nomaiņa nav aprakstīta, kādā no firmu Milwaukee klientu apkalpošanas servisiem. (Skat. brošūru "Garantija/klientu apkalpošanas serviss".)

Pēc pieprasījuma, Jūsu Klientu apkalpošanas centrā vai pie Technotic Industries GmbH, Max-Eyth-Straße 10, 71364 Winnenden, Vācijā, ir iespējams saņemt iekārtas montāžas rasējumu, iepriekš norādot iekārtas modeli un sērijas numuru, kas atrodas uz datu plāksnītes un sastāv no sešiem simboliem.

SIMBOLI



UZMANĪBU! BĪSTAMI!



Pirms mašīnai veikt jebkāda veida apkopes darbus, ir jāizņem ārā akumulātors.



Pirms sākt lietot instrumentu, lūdzu, izlasiet lietošanas pamācību.



Elektroiekārtas nedrīkst izmest kopā ar sadzīves atkritumiem. Elektriskās un elektroniskās iekārtas ir jāsavāc atsevišķi un jānodod pārstrādes uzņēmumam, kas no tām atbrīvosies dabai draudzīgā veidā. Meklējiet otrreizējās pārstrādes poligonus un savākšanas punktus vietējās pārvaldes iestādēs vai pie preces pārdevēja.



CE marķējums



EurAsian atbilstības marķējums.

TECHNINIAI DUOMENYS	GRĘŽTUVAS-ATSUKTUVAS SU AKUMULIATORIUMI	M18 CDD
Produkto numeris	4523 23 01...	
.....	4312 01 01...	
.....	..000001-999999	
Gręžimo ø pliene	13 mm	
Gręžimo ø medienoje	45 mm	
Medvaržčiai (be išankstinio gręžimo)	9 mm	
Sūkių skaičius laisva eiga 1. pavara	0-550 min ⁻¹	
Sūkių skaičius laisva eiga 2. pavara	0-1850 min ⁻¹	
Sukimo momentas (1,5 Ah / 2,0 Ah)*1	70 Nm	
Sukimo momentas (3,0 Ah / 4,0 Ah)*1	80 Nm	
Keičiamo akumulatoriaus įtampa	18 V	
Grąžo patrono veržimo diapazonas	1,5-13 mm	
Prietaiso svoris įvertintas pagal EPTA 2003/01 tyrimų metodiką (1,5 Ah / 2,0 Ah) ..	2,0 kg	
Prietaiso svoris įvertintas pagal EPTA 2003/01 tyrimų metodiką (3,0 Ah / 4,0 Ah) ..	2,3 kg	

Informacija apie triukšmą/vibraciją

Vertės matuotos pagal EN 60 745.

Prietaisui būdingas garso slėgio lygis, koreguotas pagal A dažnio charakteristiką,

Garso slėgio lygis (Paklaida K=3dB(A))..... 76 dB (A)

Garso galios lygis (Paklaida K=3dB(A))..... 87 dB (A)

Nešioti klausos apsaugines priemones!

Bendroji svyravimų reikšmė (trių krypčių vektorių suma), nustatyta remiantis EN 60745.

Vibravimų emisijos reikšmė a_w

Metalo gręžimas..... 1,32 m/s²

Paklaida K=..... 2,28 m/s²

Prisukimas varžtais..... 1,32 m/s²

Paklaida K=..... 2,28 m/s²

*1 Matuojant pagal „Milwaukee“ normą N 877318

DĖMESIO

Instrukcijoje nurodyta svyravimų ribinė vertė yra išmatuota remiantis standartu EN 60745; ji gali būti naudojama keliems elektriniams instrumentams palyginti. Ji taikoma ir laikinai įvertinti svyravimų apkrova.

Nurodyta svyravimų ribinė vertė yra taikoma pagrindinėse elektrinio instrumento naudojimo srityse. Svyravimų ribinė vertė gali skirtis naudojant elektrinį instrumentą kitose srityse, papildomai naudojant netinkamus elektrinius instrumentus arba juos nepakankamai techniškai prižiūrint. Dėl to viso darbo metu gali žymiai padidėti svyravimų apkrova.

Siekiant tiksliai nustatyti svyravimų apkrova, būtina atsižvelgti ir į laikotarpį, kai įrenginys yra išjungtas arba įjungtas, tačiau faktiškai nenaudojamas. Dėl to viso darbo metu gali žymiai sumažėti svyravimų apkrova.

Siekiant apsaugoti vartotojus nuo svyravimo įtakos naudojamos papildomos saugos priemonės, pavyzdžiui, elektrinių darbo instrumentų techninė priežiūra, rankų šilumos palankumas, darbo procesų organizavimas.

⚠️ ĮSPĖJIMAS! Perskaitykite visus saugos nurodymus ir instrukcijas. Jei nepaisysite žemiau pateiktų saugos nuorodų ir reikalavimų, gali trenkti elektros smūgis, kilti gaisras ir/arba galite sunkiai susižaloti arba sužaloti kitus asmenis. **Įsisaugokite šias saugos nuorodas ir reikalavimus, kad ir ateityje galėtumėte jais pasinaudoti.**

⚠️ GRAŽTAMS SKIRTI SAUGUMO NURODYMAI

Dirbdami laikykite prietaisą už izoliuotų vietų, kuriose plovimo įrenginys pats galėtų liesti paslėptus laidus. Dėl kontakto su laidininku, kuriuo teka elektros srovė, metalinėse prietaiso dalyse atsiranda atampa ir naudotojas gali gauti elektros smūgą.

⚠️ SUKTUVAMS SKIRTI SAUGUMO NURODYMAI

Prietaisą laikykite ant izoliuoto guminio paviršiaus, jei atliksite darbus, kurių metu sraigtas gali pasiekti sulenktas srovės tiekimo linijas. Sraigitui prisilietus prie įtampą tiekiančių linijų gali įsikrauti prietaiso dalys ir įvykti elektros smūgis.

KITI SAUGUMO IR DARBO NURODYMAI

Dėvėkite apsaugines priemones. Dirbdami su mašina visada užsidėkite apsauginius akinius. Rekomenduotina dėvėti apsaugines priemones: apsaugos nuo dulkių respiratorius, apsaugines pirštines, kietus batus neslidžiais padais, šalmą ir klausos apsaugos priemones.

Darbo metu susidarančios dulkės yra dažnai kenksmingos sveikatai ir todėl turėtų nepatekti į organizmą. Dėvėti tinkamą apsauginę kaukę nuo dulkių.

Negalima apdirbti medžiagų, dėl kurių galimi sveikatos pažeidimai (pvz., asbesto).

Blokuojant įstatomąjį įrankį būtina išjungti prietaisą! Neįjunkite prietaiso, kol įstatomasis įrankis yra užblokuotas; galimas grįžtamasis smūgis su dideliu sukimo momentu. Atsižvelgdami į saugumo nurodymus, nustatykite ir pašalinkite įstatomojo įrankio blokavimo priežastį.

Galimos priežastys:

- Susidariusios apdirbamo ruošinio briaunos
- Apdirbamos medžiagos pratrūkimas
- Elektros įrankio perkrova

Nekiškite rankų į veikiančią mašiną.

Naudojamas įstatomasis įrankis gali įkaisti.

DĖMESIO! Pavojus nusidėginti

- keičiant įrankį
- padedant prietaisą

Draudžiama išiminti drožles ar nuopjovas, įrenginiui veikiančiam.

Dirbdami sienoje, lubose arba grindyse, atkreipkite dėmesį į elektros laidus, dujų ir vandens vamzdžius.

Ruošinį užfiksuokite įtempimo įrenginiu. Neufiksuoti ruošiniai gali sunkiai sužaloti ir būti pažeidimų priežastimi.

Prieš atlikdami bet kokius darbus įrenginyje, išimkite keičiamą akumuliatorių.

Sunaudotų keičiamų akumuliatorių nedeginkite ir nemeskite į buitines atliekas. „Milwaukee“ siūlo tausojantį aplinką sudėvėtų keičiamų akumuliatorių tvarkymą, apie tai prekybos atstovo.

Keičiamų akumuliatorių nelaikykite kartu su metaliniais daiktais (trumpojo jungimo pavojus).

Keičiamus M18 sistemos akumuliatorius kraukite tik „M18“ sistemos įkrovikliais. Nekraukite kitų sistemų akumuliatorių.

Keičiamų akumuliatorių ir įkroviklių nelaikykite atviri. Laikykite tik sausoje vietoje. Saugokitės nuo drėgmės.

Ekstremalių apkrovų arba ekstremalios temperatūros poveikyje iš keičiamų akumuliatorių gali ištekėti akumulatoriaus skystis. Išsitiesus akumulatoriaus skysčiu, tuoj pat nuplaukite vandeniu su muilu. Patekus į akis, tuoj pat ne trumpiau kaip 10 minučių gausiai skalaukite vandeniu ir tuoj pat kreipkitės į gydytoją.

NAUDOJIMAS PAGAL PASKIRTĮ

Akumuliatorinį suktuvą-gręžtuvą galima universaliai naudoti gręžimui ir sukimui nepriklausomai nuo elektros tinklo.

Šį prietaisą leidžiama naudoti tik pagal nurodytą paskirtį.

CE ATITIKTIES PAREIŠKIMAS

Remiantis bendrais atsakomybės reikalavimais pareiškiame, jog skyruije "Techniniai duomenys" aprašytas produktas atitinka visus toliau pateiktą juridinių direktyvų reikalavimus: 2011/65/EU (RoHS), 2004/108/EB, 2006/42/EB ir kitus su jomis susijusius norminius dokumentus:

EN 60745-1:2009 + A11:2010

EN 60745-2-1:2010

EN 60745-2-2:2010

EN 55014-1:2006 + A1:2009 + A2:2011

EN 55014-2:1997 + A1:2001 + A2:2008

EN 50581:2012

Winnenden, 2014-09-22

Alexander Krug

Alexander Krug
Managing Director



Įgalotos parengti techninius dokumentus.

Technronic Industries GmbH
Max-Eyth-Straße 10
71364 Winnenden
Germany

AKUMULIATORIAI

Ilgesnį laiką nenaudotus keičiamus akumuliatorius prieš naudojimą įkraukite.

Aukštesnė nei 50°C temperatūra mažina keičiamų akumuliatorių galią. Venkite ilgesnio saulės ar šilumos šaltinių poveikio.

Įkroviklio ir keičiamo akumulatoriaus jungiamieji kontaktai visada turi būti švarūs.

Pasinaudoję prietaisu, visiškai įkraukite akumuliatorių, kad prietaisas veiktų optimaliai ilgai.

Siekiant užtikrinti kuo ilgesnį baterijos tarnavimo laiką, reikėtų ją po atlikto įkrovimo iškart išimti iš įkroviklio.

Bateriją laikant ilgiau nei 30 dienų, būtina atkreipti dėmesį į šias nuorodas: bateriją laikyti sausoje atmosferoje, esant apie 27 °C temperatūrai. Baterijos įkrovimo lygis turi būti nuo 30% iki 50%. Baterija pakartotinai turi būti įkraunama kas 6 mėnesius.

APSAUGA NUO AKUMULIATORIAUS PERKROVOS

Perkrovos akumuliatorių dėl itin didelės vartojamos srovės, pvz.: labai didelių apskukų, staigaus stabdymo, trumpo sujungimo ar užsikirtus gražtui, elektrinis įrankis veikia dar 2 sekundes ir išsijungia automatiškai.

Norint iš naujo įjungti įrankį, reikia atleisti mygtuką ir jį dar kartą įjungti.

Dėl ekstremalių apkrovų akumuliatorius gali labai stipriai įkaisti. Tokiu atveju jis išsijungia.

Tada akumuliatorių reikia įkišti į įkroviklį, kad jis įsikrautų ir veiktų.

LIČIO JONŲ AKUMULIATORIŲ PERVEŽIMAS

Ličio jonų akumuliatoriams taikomos įstatyminės nuostatos dėl pavojingų krovinių pervežimų.

Šiuos akumuliatorius pervežti būtina laikantis vietinių, nacionalinių ir tarptautinių direktyvų ir nuostatų.

- Naudotojai šiuos akumuliatorius gali naudoti savo transporte be jokių kitų sąlygų.
- Už komercinį ličio jonų akumuliatorių pervežimą atsako ekspedicijos įmonė pagal nuostatas dėl pavojingų krovinių pervežimo. Pasiruošimo išsiųsti ir pervežimo darbus gali atlikti tik atitinkamai išmokyti asmenys. Visas procesas privalo būti prižiūrimas.

Pervežant akumuliatorius būtina laikytis šių punktų:

- Siekiant išvengti trumpųjų jungimų, įsitikinkite, kad kontaktai yra apsaugoti ir izoliuoti.
- Atkreipkite dėmesį, kad akumuliatorius pakuotės viduje neslidinėtų.
- Draudžiama pervežti pažeistus arba tekančius akumuliatorius.

Dėl detalesnių nurodymų kreipkitės į savo ekspedicijos įmonę.

TECHNINIS APTARNAVIMAS

Naudokite tik „Milwaukee“ priedus ir „Milwaukee“ atsargines dalis. Dalis, kurių keitimas neaprašytas, leidžiama keisti tik „Milwaukee“ klientų aptarnavimo skyriams (žr. garantiją/klientų aptarnavimo skyrių adresus brošiūroje).

Esant poreikiui, nurodžius mašinos modelį ir šešiaženklį numerį, esantį ant specifikacijų lenteles, klientų aptarnavimo centre arba tiesiogiai „Techtronic Industries GmbH“, Max-Eyth-Str. 10, 71364 Winnenden, Vokietija, galite užsakyti išplėstinį prietaiso brėžinį.

SIMBOLIAI



DĖMESIO! ĮSPĖJIMAS! PAVOJUS!



Prieš atlikdami bet kokius darbus įrenginyje, išimkite keičiamą akumuliatorių.



Prieš pradėdami dirbti su prietaisu, atidžiai perskaitykite jo naudojimo instrukciją.



Elektros prietaisų negalima išmesti kartu su buitinėmis atliekomis. Būtina rūšiuoti elektros ir elektroninius prietaisus ir atiduoti į atliekų perdirbimo centrą, kad jie būtų užtištinę netersiant aplinkos. Informacijos apie perdirbimo centrus ir atliekų surinkimo įstaigas teiraukitės vietos įstaigoje arba prekybos binke.



CE ženklas

„EurAsian“ atitikties ženklas.

TEHNILISED ANDMED	JUHTMETA PUUR	M18 CDD
Tootmisnumber	4523 23 01...	
.....	4312 01 01...	
.....	000001-999999	
Puurimisläbimõõt terases	13 mm	
Puuri ø puidus	45 mm	
Puidukruvid (eelpuurimiseta).....	9 mm	
Pöörlemiskiirus tühijooksul 1. käigul.....	0-550 min ⁻¹	
Pöörlemiskiirus tühijooksul 2. käigul.....	0-1850 min ⁻¹	
Pöördemoment (1,5 Ah / 2,0 Ah)*1.....	70 Nm	
Pöördemoment (3,0 Ah / 4,0 Ah)*1.....	80 Nm	
Vahetatava aku pingeline.....	18 V	
Puuriipadrundi pingutusvahemik.....	1,5-13 mm	
Kaal vastavalt EPTA-protseduurile 01/2003 (1,5 Ah / 2,0 Ah).....	2,0 kg	
Kaal vastavalt EPTA-protseduurile 01/2003 (3,0 Ah / 4,0 Ah).....	2,3 kg	

Müra/vibratsiooni andmed

Mõõteväärtused on kindlaks tehtud vastavalt normile EN 60 745.

Seadme A-filtriga hinnatud helirõhutase on tüüpiliselt

Helirõhutase (Määramatus K=3dB(A)) 76 dB (A)

Helivõimsuse tase (Määramatus K=3dB(A)) 87 dB (A)

Kandke kaitseks kõrvaklappe!

Vibratsiooni koguväärtus (kolme suuna vektorsumma) mõõdetud EN 60745 järgi.

Vibratsiooni emissiooni väärtus a_n

Metalli puurimine 1,32 m/s²

Määramatus K= 2,28 m/s²

Kruvimine 1,32 m/s²

Määramatus K= 2,28 m/s²

*1 Mõõdetud vastavalt Milwaukee normile N 877318

TÄHELEPANU

Antud juhendis toodud võnketase on mõõdetud EN 60745 standardile vastava mõõtesüsteemiga ning seda võib kasutada erinevate elektriseadmete omavahelises võrdluses. Antud näitaja sobib ka esmaseks võnkekoormuse hindamiseks.

Antud võnketase kehtib elektriseadme kasutamisel sihtotstarbiselt. Kui elektriseadet kasutatakse muudel otstarvetel, muude tööriistadega või seda ei hooldata piisavalt võib võnketase sihttoodust erineda. Eeltoodu võib võnketaset märkimisväärselt tõsta terves töökeskkonnas.

Võnketaseme täpselt hindamiseks tuleks arvestada ka aega, mil seade on välja lülitatud või on küll sisse lülitatud, kuid ei ole otseselt kasutuses. See võib märgatavalt vähendada kogu töökeskkonna võnketaset.

Rakendage spetsiaalseid ettevaatusabinõusid töötajate suhtes, kes puutuvad töö käigus palju kokku vibratsiooniga. Nendeks abinõudeks võivad olla, näiteks: elektri- ja tööseadmete korraline hooldus, käte soojendamine, töövoo parem organiseerimine.

⚠ HOIATUS! Lugege kõiki ohutusjuhiseid ja korraldusi.

Ohutusnõuete ja juhiste eiramise tagajärjeks võib olla elektrilöök, tulekahju ja/või raske vigastused.

Hoidke kõik ohutusnõuded ja juhised edasiseks kasutamiseks hoolikalt alles.

⚠ PUURMASINATE OHUTUSJUHISED

Tööde puhul, kus lõikeseade võib minna vastu peidetud elektrijuhtmeid, hoidke kinni seadme isoleeritud käepidemest. Kokkupuude pingele alla oleva juhtmega võib seada seadme enda metallosad pingele alla ja põhjustada elektrilööki.

⚠ KRUVITSATE OHUTUSJUHISED

Hoidke käed seadme isoleeritud käepidemedel, kui Te teostate töid, mille juures kruvi võib sattuda varjatud voolujuhtmetele. Kruvi kontakt pinget juhtiva juhtmega võib panna metallist seadme osad pingele alla ja põhjustada elektrilööki.

EDASISED OHUTUS- JA TÖÖJUHISED

Kasutada kaitsevarustust. Masinaga töötamisel kanda alati kaitseprille. Kaitseriitena soovatakse kasutada tolumumaski kaitsekindaid, kinniseid ja libisemisvastase tallaga jalanõusid, kiivrit ja kuulmisteede kaitset.

Töö ajal tekkinud tolmu on sageli tervistkahjustav ning ei tohiks sattuda organismi. Kanda sobivat kaitsemaski.

Töödelda ei tohi materjale, millest lähtub oht tervisele (nt asbest).

Palun lülitage seade rakendustööriista blokeerumise korral kohe välja! Ärge lülitage seadet sisse tagasi, kuni rakendustööriist on

blokeeritud; seejuures võib kõrge reaktsioonimomendiga tagasilöök tekkida. Tehke ohutusjuhiseid arvesse võttes kindlaks ja kõrvaldage rakendustööriista blokeerumise põhjus.

Selle võimalikeks põhjusteks võivad olla:

- viltu asetumine töödeldavas toorikus
- töödeldava materjali läbimurdumine
- elektritööriista ülekoormamine

Ärge sisestage jässemeid töötavasse masinasse.

Rakendustööriist võib kasutamise ajal kuumaks minna.

TÄHELEPANU! Põletusohu

- tööriista vahetamisel
- seadme ärapanemisel

Puru ega pilpaid ei tohi eemaldada masina töötamise ajal.

Seina, lae või pörandi tööde puhul pidage silmas elektrijuhtmeid, gaasi- ja veetorusid.

Kinnitage toorik kinnipingutusseadmisega. Kinnitamata toorikud võivad raskeid vigastusi ja kahjustusi põhjustada.

Enne kõiki töid masina kallal võtke vahetatav aku välja.

Ärge visake tarvitatud vahetatavaid akusid tulle ega olmeprügisse. Milwaukee pakub vanade akude keskkonnahoidlikku käitlust, palun küsige oma erialaselt tarnijalt.

Ärge säilitage vahetatavaid akusid koos metallesemetega (lühiseoht).

Laadige süsteemi M18 vahetatavaid akusid ainult süsteemi M18 laadijatega. Ärge laadige nendega teiste süsteemide akusid.

Ärge avage vahetatavaid akusid ega laadijaid ning ladustage neid ainult kuivades ruumides. Kaitske niiskuse eest.

Äärmuslikul koormusel või äärmuslikul temperatuuril võib kahjustatud vahetatavast akust akuedelik välja voolata. Akuedelikuga kokkupuutumise korral peske kohe vee ja seebiga. Silma sattumise korral loputage kiiresti põhjalikult vähemalt 10 minutit ning pöörduge viivitamatult arsti poole.

KASUTAMINE VASTAVALT OTSTARBELE

akutrell-kruvikeerajat saab sõltumata võrguühendusest universaalselt rakendada puurimiseks ja kruvide keeramiseks.

Antud seadet tohib kasutada ainult vastavalt äranäidatud otstarbele.

EÜ VASTAVUSVAALDUS

Me deklareerime ainuiskuliselt vastutades, et lõigus "Tehnilised andmed" kirjeldatud toode vastab direktiivide 2011/65/EU (RoHS), 2004/108/EÜ, 2006/42/EÜ kõigile olulisele tähtsusega eeskirjadele ning järgmistele harmoniseeritud normatiivsetele dokumentidele:

EN 60745-1:2009 + A11:2010

EN 60745-2-1:2010

EN 60745-2-2:2010

EN 55014-1:2006 + A1:2009 + A2:2011

EN 55014-2:1997 + A1:2001 + A2:2008

EN 50581:2012

Winnenden, 2014-09-22

Alexander Krug

Alexander Krug
Managing Director



On volitatud koostama tehnilist dokumentatsiooni.

Techtronic Industries GmbH

Max-Eyth-Straße 10

71364 Winnenden

Germany

AKUD

Pikemat aega mittekasutatud akusid laadige veel enne kasutamist.

Temperatuur üle 50 °C vähendab vahetatava aku töövõimet.

Vältige pikemat soojenemist päikese või kütteseadme mõjul.

Hoidke laadija ja vahetatava aku ühenduskontaktid puhtad.

Patreide optimaalse eluea tagamiseks, pärast kasutamist täielikult lae pateride plokki.

Akud tuleks võimalikult pika kasutusea saavutamiseks pärast täislaadimist laadijast välja võtta.

Aku ladustamisel üle 30 päeva:

Ladustage akut kuivas kohas u 27°C juures.

Ladustage akut u 30-50% laetusseisundis.

Laadige aku iga 6 kuu tagant täis.

AKU KOORMUSKAITSE

Aku ülekoormamisel kõrge voolutarbimisega, nt puuri blokeerumisel, äkilisel seiskumisel või lühise tekimisel, vibreerib elektritööriist 2 sekundit ning seejärel lülitub automaatselt välja.

Uuesti sisse lülitamiseks tuleb päästik esmalt vabastada ning seejärel uuesti alla suruda.

Ülisuurel koormusel võib aku kuumeneda kõrgete temperatuurideni. Sellisel juhul lülitub aku välja.

Aku tuleb laadimiseks ja taasaktiveerimiseks sisestada laadimisseadmesse.

LIITIUMIOONAKUDE TRANSPORTIMINE

Liitiumioonakud on allutatud ohtlike ainete transportimisega seonduvatele õigusaktidele.

Nende akude transportimine peab toimuma kohalikest, siseriiklikest ja rahvusvahelistest eeskirjadest ning määrustest kinni pidades.

- Tarbijad tohivad neid akusid edasiste piiranguteta tänaval transportida.
- Liitiumioonakude komertstransport ekspedeerimisettevõtete kaudu on allutatud ohtlike ainete transportimisega seonduvatele õigusaktidele. Tarne-ettevalmistusi ja transporti tohivad teostada eranditult vastavalt koolitatud isikud. Kogu protsessi tuleb asjatundlikult jälgida.

Akude transportimisel tuleb järgida järgmisi punkte:

- Tehke kindlaks, et kontaktid on lühiste vältimiseks kaitstud ja isoleeritud.
- Pöörake tähelepanu sellele, et akupakk ei saaks pakendis nihkuda.
- Kahjustatud või välja voolanud akusid ei tohi kasutada.

Pöörduge edasiste juhiste saamiseks ekspedeerimisettevõtte poole.

HOOLDUS

Kasutage ainult Milwaukee tarkivaid ja Milwaukee tagavaraosi. Detailid, mille väljavahetamist pole kirjeldatud, laske välja vahetada Milwaukee klienditeeninduspunktis (vaadake brošüüri garantii / klienditeeninduste aadressid).

Vajadusel saab nõuda seadme plahvatusjoonise võimsussidil oleva masinatüübi ja kuuekohalise numbrilise alusel klienditeeninduspunkti või vahetult firmalt Techtronic Industries GmbH, Max-Eyth-Straße 10, 71364 Winnenden, Germany.

SÜMBOLID



ETTEVAATUST! TÄHELEPANU! OHUD!



Enne kõiki töid masina kallal võtke vahetatav aku välja.



Palun lugege enne käikluskmist kasutamisjuhend hoolikalt läbi.



Elektriseadmeid ei tohi utiliseerida koos majapidamisprügiga. Elektrilised ja elektroonilised seadmed tuleb eraldi kokku koguda ning keskkonnasõbralikuks utiliseerimiseks vastavas käitlusettevõttes ära anda. Küsige kohalikest pädevatest ametitest või edasimüüjalt käitlusjaamade ja kogumispunktide kohta järele.



CE-märk

Euraasia vastavusmärk.

ТЕХНИЧЕСКИЕ ДАННЫЕ	АКК. ДРЕЛЬ/ШУРУПОВЕРТ	M18 CDD
Серийный номер изделия	4523 23 01...	
.....	4312 01 01.....	
.....	000001-999999	
Производительность сверления в стали	13 mm	
Производительность сверления в дереве	45 mm	
Шурупы для дерева (без предварительного засверливания) ..	9 mm	
Число оборотов без нагрузки (об/мин) 1-ая передача	0-550 min ⁻¹	
Число оборотов без нагрузки (об/мин) 2-я скорость	0-1850 min ⁻¹	
Момент затяжки (1,5 Ah / 2,0 Ah)*1	70 Nm	
Момент затяжки (3,0 Ah / 4,0 Ah)*1	80 Nm	
Вольтаж аккумулятора	18 V	
Диапазон раскрытия патрона	1,5-13 mm	
Вес согласно процедуре EPTA 01/2003 (1,5 Ah / 2,0 Ah)	2,0 kg	
Вес согласно процедуре EPTA 01/2003 (3,0 Ah / 4,0 Ah)	2,3 kg	

Информация по шуму/вибрации

Значения замерялись в соответствии со стандартом EN 60 745. Обычное низкочастотное звуковое давление, производимое инструментом, составляет

Уровень звукового давления (Небезопасность K=3dB(A))	76 dB (A)
Уровень звуковой мощности (Небезопасность K=3dB(A))	87 dB (A)

Пользуйтесь приспособлениями для защиты слуха.

Общие значения вибрации (векторная сумма трех направлений) определены в соответствии с EN 60745.

Значение вибрационной эмиссии a_h

Сверление в металле	1,32 m/s ²
Небезопасность K=	2,28 m/s ²
Завинчивание	1,32 m/s ²
Небезопасность K=	2,28 m/s ²

*1 Измерения согласно нормативам Milwaukee № 877318

ВНИМАНИЕ

Указанный в настоящем руководстве уровень вибрации измерен в соответствии с технологией измерения, установленной стандартом EN 60745 и может использоваться для сравнения электроинструментов друг с другом. Он также подходит для предварительной оценки вибрационной нагрузки.

Указанный уровень вибрации представляет основные виды использования электроинструмента. Но если электроинструмент используется для других целей, используемый инструмент отклоняется от указанного или техническое обслуживание было недостаточным, то уровень вибрации может отклоняться от указанного. В этом случае вибрационная нагрузка в течение всего периода работы значительно увеличивается.

Для точной оценки вибрационной нагрузки необходимо также учитывать время, в течение которого прибор отключен или включен, но фактически не используется. В этом случае вибрационная нагрузка в течение всего периода работы может существенно уменьшиться.

Установите дополнительные меры безопасности для защиты пользователя от воздействия вибрации, например: техническое обслуживание электроинструмента и используемого инструмента, поддержание рук в теплом состоянии, организация рабочих процессов.

⚠ ПРЕДУПРЕЖДЕНИЕ! Прочтите все указания по безопасности и инструкции. Улучшения, допущенные при соблюдении указаний и инструкции по технике безопасности, могут стать причиной электрического поражения, пожара и тяжелых травм.
Сохраняйте эти инструкции и указания для будущего использования.

⚠ УКАЗАНИЯ ПО ТЕХНИКЕ БЕЗОПАСНОСТИ ДЛЯ ДРЕЛЕЙ

Если Вы выполняете работы, при которых режущий инструмент может зацепить скрытую электропроводку кабель, инструмент следует держать за специально предназначенные для этого изолированные поверхности. Контакт с ведущими напряжением проводами ставит металлические части прибора под напряжение и ведет к поражению электротоком.

⚠ УКАЗАНИЯ ПО ТЕХНИКЕ БЕЗОПАСНОСТИ ДЛЯ ШУРУПОВЕРТОВ

Если Вы выполняете работы, при которых болт может зацепить скрытую электропроводку, устройство следует держать за специально предназначенные для этого изолированные поверхности. Контакт болта с токоведущим проводом может ставить под напряжение металлические части прибора, а также приводить к удару электрическим током.

ДОПОЛНИТЕЛЬНЫЕ УКАЗАНИЯ ПО БЕЗОПАСНОСТИ И РАБОТЕ

Пользоваться средствами защиты. Работать с инструментом всегда в защитных очках. Рекомендуется спецодежда: пылезащитная маска, защитные перчатки, прочная и нескользящая обувь, каска и наушники.

Пыль, возникающая при работе данным инструментом, может нанести вред здоровью. Не следует допускать её попадания в организм. Надевайте противопылевой респиратор.

Запрещается обрабатывать материалы, которые могут нанести вред здоровью (напр., асбест).

При блокировании используемого инструмента немедленно выключить прибор! Не включайте прибор до тех пор, пока используемый инструмент заблокирован, в противном случае может возникнуть отдача с высоким реактивным моментом. Определите и устраните причину блокирования используемого инструмента с учетом указаний по безопасности.

Возможными причинами могут быть:

- перекос заготовки, подлежащей обработке
- разрушение материала, подлежащего обработке
- перегрузка электроинструмента

Не прикасаться к работающему станку.

Используемый инструмент может нагреваться во время применения.

ВНИМАНИЕ! Опасность получения ожога

- при смене инструмента
- при укладывании прибора

Не убирайте опилки и обломки при включенном инструменте.

При работе в стенах, потолках или полу следите за тем, чтобы не повредить электрические кабели или водопроводные трубы.

Зафиксируйте вашу заготовку с помощью зажимного приспособления. Незафиксированные заготовки могут привести к тяжелым травмам и повреждениям.

Выньте аккумулятор из машины перед проведением с ней каких-либо манипуляций.

Не выбрасывайте использованные аккумуляторы вместе с домашним мусором и не сжигайте их. Дистрибьюторы компании Milwaukee предлагают восстановление старых аккумуляторов, чтобы защитить окружающую среду.

Не храните аккумуляторы вместе с металлическими предметами во избежание короткого замыкания.

Для зарядки аккумуляторов модели M18 используйте только зарядным устройством M18. Не заряжайте аккумуляторы других систем.

Никогда не скрывайте аккумуляторы или зарядные устройства и храните их только в сухих помещениях. Следите, чтобы они всегда были сухими.

Аккумуляторная батарея может быть повреждена и дать течь под воздействием чрезмерных температур или повышенной нагрузки. В случае контакта с аккумуляторной кислотой немедленно промойте место контакта мылом и водой. В случае попадания кислоты в глаза промойте глаза в течении 10 минут и немедленно обратитесь за медицинской помощью.

ИСПОЛЬЗОВАНИЕ

Аккумуляторная дрель/шуруповерт сконструирована для простого сверления и закручивания шурупов в местах, необеспеченных электропитанием.

Не пользуйтесь данным инструментом способом, отличным от указанного для нормального применения.

ДЕКЛАРАЦИЯ О СООТВЕТСТВИИ СТАНДАРТАМ ЕС

Мы заявляем под собственную ответственность, что изделие, описанное в разделе "Технические характеристики", соответствует всем важным предписаниям Директивы 2011/65/EU (Директива об ограничении применения опасных веществ в электрических и электронных приборах), 2004/108/EC, 2006/42/EC и приведенным далее гармонизированным нормативным документам:

EN 60745-1:2009 + A11:2010
EN 60745-2-1:2010
EN 60745-2-2:2010
EN 55014-1:2006 + A1:2009 + A2:2011
EN 55014-2:1997 + A1:2001 + A2:2008
EN 50581:2012

Winnenden, 2014-09-22

Alexander Krug

Alexander Krug
Managing Director



Уполномочен на составление технической документации.

Technichn Industries GmbH
Max-Eyth-Straße 10
71364 Winnenden
Germany

АККУМУЛЯТОР

Перед использованием аккумулятора, которым не пользовались некоторое время, его необходимо зарядить.

Температура выше 50°C снижает работоспособность аккумуляторов. Избегайте продолжительного нагрева или прямого солнечного света (риск перегрева).

Контакты зарядного устройства и аккумуляторов должны содержаться в чистоте.

Чтобы снова зарядить и активировать аккумулятор, подключите его к зарядному устройству.

Для обеспечения оптимального срока службы аккумуляторы необходимо полностью заряжать после использования.

Для достижения максимально возможного срока службы аккумуляторы после зарядки следует вынимать из зарядного устройства.

При хранении аккумулятора более 30 дней:

Храните аккумулятор при 27°C в сухом месте.

Храните аккумулятор с зарядом примерно 30% - 50%.

Каждые 6 месяцев аккумулятор следует заряжать.

ЗАЩИТА АККУМУЛЯТОРА ОТ ПЕРЕГРУЗКИ

При перегрузке аккумулятора из-за очень высокого расхода электроэнергии, напр., предельно высоких крутящих моментов, заклинивания сверла, внезапной остановки или короткого замыкания, электроинструмент гудит 2 секунды и автоматически отключается.

Для повторного включения отпустить кнопку выключателя и затем снова включить.

При предельно высоких нагрузках аккумулятор может сильно нагреться. В этом случае аккумулятор отключится.

ТРАНСПОРТИРОВКА ЛИТИЙ-ИОННЫХ АККУМУЛЯТОРОВ

Литий-ионные аккумуляторы в соответствии с предписаниями закона транспортируются как опасные грузы.

Транспортировка этих аккумуляторов должна осуществляться с соблюдением местных, национальных и международных предписаний и положений.

- Эти аккумуляторы могут перевозиться по улице потребителем без дальнейших обязательств.
- При коммерческой транспортировке литий-ионных аккумуляторов экспедиторскими компаниями действуют положения, касающиеся транспортировки опасных грузов. Подготовка к отправке и транспортировка должны производиться исключительно специально обученными лицами. Весь процесс должен находиться под контролем специалиста.

При транспортировке аккумуляторов необходимо соблюдать следующие пункты:

- Убедитесь, что контакты защищены и изолированы во избежание короткого замыкания.
- Следите за тем, чтобы аккумуляторный блок не соскользнул внутри упаковки.
- Транспортировка поврежденных или протекающих аккумуляторов запрещена.

За дополнительными указаниями обратитесь к своему экспедитору.

ОБСЛУЖИВАНИЕ

Пользуйтесь аксессуарами и запасными частями Milwaukee. В случае возникновения необходимости в замене, которая не была описана, обращайтесь в один из сервисных центров по обслуживанию электроинструментов Milwaukee (см. список сервисных организаций).

При необходимости, у сервисной службы или непосредственно у фирмы Technichn Industries GmbH, Max-Eyth-Straße 10, 71364 Винненден, Германия, можно запросить сборочный чертеж устройства, сообщив его тип и шестизначный номер, указанный на фирменной табличке.

СИМВОЛЫ



ВНИМАНИЕ! ПРЕДУПРЕЖДЕНИЕ! ОПАСНОСТИ!



Выньте аккумулятор из машины перед проведением с ней каких-либо манипуляций.



Пожалуйста, внимательно прочтите инструкцию по использованию перед началом любых операций с инструментом.



Электрические устройства нельзя утилизировать вместе с бытовым мусором. Электрические и электронные устройства следует собирать отдельно и сдавать в специализированную утилизирующую компанию для утилизации в соответствии с нормами охраны окружающей среды.

Сведения о центрах вторичной переработки и пунктах сбора можно получить в местных органах власти или у вашего специализированного дилера.



Знак CE



Сертификата о соответствии
No. RU C-DE. ME 77. B.01605

Срок действия сертификата о соответствии по 17.06.2019

ООО «Центр по сертификации стандартизации и систем качества электро-машиностроительной продукции» 141400, РФ, Московская область, г. Химки, Ул. Ленинградская, 29



Національний знак відповідності України

ТЕХНИЧЕСКИ ДАННИ АКУМУЛАТОРЕН ВИНТОВЕРТ/БОРМАШИНА		M18 CDD
Производствен номер	4523 23 01...4312 01 01...000001-999999
Диаметър на свредлото за стомана	13 mm
Диаметър на свредлото за дърво	45 mm
Винтове за дърво (без предварително разпробиване)	9 mm
Обороти на празен ход на 1. скорост	0-550 min ⁻¹
Обороти на празен ход на 2. скорост	0-1850 min ⁻¹
Въртящ момент (1,5 Ah / 2,0 Ah)*1	70 Nm
Въртящ момент (3,0 Ah / 4,0 Ah)*1	80 Nm
Напрежение на акумулатора	18 V
Затегателен участък на патронника	1,5-13 mm
Тегло съгласно процедурата EPTA 01/2003 (1,5 Ah / 2,0 Ah)	2,0 kg
Тегло съгласно процедурата EPTA 01/2003 (3,0 Ah / 4,0 Ah)	2,3 kg

Информация за шума/вибрациите

Измерените стойности са получени съобразно EN 60 745. Нивото на звуково налягане на уреда в db (A) обикновено съставлява

Равнище на звуковото налягане (Несигурност K=3dB(A))	76 dB (A)
Равнище на мощността на звука (Несигурност K=3dB(A))	87 dB (A)

Да се носи предпазно средство за слуха!

Общите стойности на вибрациите (векторна сума на три посоки) са определени в съответствие с EN 60745.

Стойност на емисии на вибрациите a _n	1,32 m/s ²
Пробиване на метал	2,28 m/s ²
Несигурност K=	1,32 m/s ²
Завинтване	2,28 m/s ²
Несигурност K=	2,28 m/s ²

*1 Измерено по стандарт N 877318 на Milwaukee

ВНИМАНИЕ

Посоченото в тези инструкции ниво на вибрациите е измерено в съответствие със стандартизиран в EN 60745 измервателен метод и може да се използва за сравнение на електрически инструменти помежду им. Подходящ е и за временна оценка на вибрационното натоварване.

Посоченото ниво на вибрациите представя основните приложения на електрическия инструмент. Ако обаче електрическият инструмент се използва с друго предназначение, с различни сменяеми инструменти или при недостатъчна техническа поддръжка, нивото на вибрациите може да е различно. Това чувствително може да увеличи вибрационното натоварване по време на целия работен цикъл.

За точната оценка на вибрационното натоварване трябва да се вземат предвид и периодите от време, в които уредът е изключен или работи, но в действителност не се използва. Това чувствително може да намали вибрационното натоварване по време на целия работен цикъл.

Определете допълнителни мерки по техника на безопасност в защита на обслужвания работник от въздействието на вибрациите като например: техническа поддръжка на електрическия инструмент и сменяемите инструменти, поддържане на ръцете топли, организация на работния цикъл.

⚠ ПРЕДУПРЕЖДЕНИЕ! Прочетете всички указания и напътствия за безопасност.

Пропуски при спазването на указанията и напътствията за безопасност могат да доведат до токов удар, пожар и/или тежки наранявания.

Съхранявайте указанията и напътствията за безопасност за справка при нужда.

⚠ УКАЗАНИЯ ЗА БЕЗОПАСНОСТ ЗА БОРМАШИНИ

Дръжте уреда за изолираните ръкохватки, когато извършвате работи, при които режещият инструмент може да засегне скрити електроинсталационни кабели. При влизане в съприкосновение с проводник под напрежение, то се предава на всички метални части на електроинструмента, което може да доведе до токов удар.

⚠ УКАЗАНИЯ ЗА БЕЗОПАСНОСТ ЗА СВРЕДЛА ЗА УДАРНО ПРОБИВАНЕ

Когато извършвате работи, при които болтът може да докосне скрити електрически кабели, дръжте уреда за изолираните ръкохватки. Контактът на болта с токопроводим проводник може да постави метални част на уреда под напрежение и може да Ви хване ток.

ДОПЪЛНИТЕЛНИ УКАЗАНИЯ ЗА РАБОТА И БЕЗОПАСНОСТ

Да се използват предпазни средства. При работа с машината винаги носете предпазни очила. Препоръчват се защитно облекло и прахозащитна маска, защитни ръкавици, здрави и нехлъзгащи се обувки, каска и предпазни средства за слуха.

Прахът, който се образува при работа, често е вреден за здравето и не бива да попада в тялото. Да се носи подходяща прахозащитна маска.

Не е разрешена обработката на материали, които представляват опасност за здравето (напр. азбест).

Ако използваният инструмент блокира, изключете веднага уреда! Не включвайте уреда отново, докато използваният инструмент е блокиран; това би могло да доведе до откат с висока реактивна сила. Открийте и отстранете причината за блокирането на използвания инструмент и майки в предвид инструкциите за безопасност.

Възможните причини за това могат да бъдат:

- Заклинване в обработваната част
- Пробиване на материала
- Пренатоварване на електрическия инструмент

Не бъркайте в машината, докато тя работи.

Използваният инструмент може да загрее по време на употреба.

ВНИМАНИЕ!

Опасност от изгаряния

- при смяна на инструментата
- при оставяне на уреда

Стружки или отчупени парчета да не се отстраняват, докато машина работи.

При работа в стени, тавани или подове внимавайте за кабели, газопроводи и водопроводи.

Закрепете обработваната част с устройство за захващане. Незакрепени части за обработка могат да причинят сериозни наранявания и материални щети.

Преди започване на каквито е да е работи по машината извадете акумулатора.

Не извършвайте изхабените акумулатори в огъня или в при битовите отпадъци. Milwaukee предлага екологосъобразно събиране на старите акумулатори; моля попитайте Вашия специализиран търговец.

Не съхранявайте акумулаторите заедно с метални предмети (опасност от късо съединение).

Акумулатори от системата M18 да се зареждат само със зарядни устройства от системата M18 laden. Да не се зареждат акумулатори от други системи.

Не отваряйте акумулатори и зарядни устройства и ги съхранявайте само в сухи помещения. Пазете ги от влага.

При екстремно натоварване или екстремна температура от повредени акумулатори може да изтече батерийна течност. При допир с такава течност веднага измийте с вода и сапун. При контакт с очите веднага изплаквайте старателно най-малко 10 минути и незабавно потърсете лекар.

ИЗПОЛЗВАНЕ ПО ПРЕДНАЗНАЧЕНИЕ

Акумулаторният пробивен винтоверт се използва универсално за пробиване и за завинтване на винтове и не зависи от захранване от мрежата.

Този уред може да се използва по предназначение само както е посочено.

СЕ - ДЕКЛАРАЦИЯ ЗА СЪОТВЕТСТВИЕ

Заявяваме под собствена отговорност, че описаният в "Технически данни" продукт съответства на всички важни разпоредби на директива 2011/65/EU (RoHS), 2004/108/EO, 2006/42/EO, както и на всички следващи нормативни документи във тази връзка.

- EN 60745-1:2009 + A11:2010
- EN 60745-2-1:2010
- EN 60745-2-2:2010
- EN 55014-1:2006 + A1:2009 + A2:2011
- EN 55014-2:1997 + A1:2001 + A2:2008
- EN 50581:2012

Winnenden, 2014-09-22

Alexander Krug

Alexander Krug
Managing Director



Упълномоощен за съставяне на техническата документация
Techtronic Industries GmbH
Max-Eyth-Straße 10
71364 Winnenden
Germany

АКУМУЛАТОРИ

Акумулатори, които не са ползвани по-дълго време, преди употреба да се дозарядват.

Температура над 50°C намалява мощността на акумулатора. Да се избягва по-продължително нагряване на слънце или от оттопление.

Поддържайте чисти присъединителните контакти на зарядното устройство и на акумулатора.

С цел оптимална продължителност на живот след употреба батериите трябва да бъдат заредени напълно.

За възможно по-дълга продължителност на живот батериите трябва да се изваждат от уреда след зареждане.

При съхранение на батериите за повече от 30 дни: съхранявайте батерията при прибл. 27°C и на сухо място. Съхранявайте батерията при 30 до 50 % от заряда. Зареждайте батерията на всеки 6 месеца.

ЗАЩИТА ОТ ПРЕТОВАРВАНЕ НА БАТЕРИЯТА

При претоварване на акумулатора поради много висока консумация на ток, напр. много високи въртящи моменти, заклиняване на свредлото, внезапен стоп или късо съединение, електрическият инструмент бърмчи 2 секунди и самостоятелно се изключва.

За ново включване освободете бутона за включване и отново го включете.

При извънредни натоварвания акумулаторът може да се нагрее силно. В този случай акумулаторът изключва.

Товага акумулаторът да се включи към зарядното устройство, за да се дозареди и активира.

ПРЕВОЗ НА ЛИТИЕВО-ЙОННИ БАТЕРИИ

Литиево-йонните батерии са предмет на законовите разпоредби за превоз на опасни товари.

Превозът на тези батерии трябва да се извършва в съответствие с местните, националните и международните разпоредби и регламенти.

- Потребителите могат да превозват тези батерии по пътя без допълнителни изисквания.
- Превозът на литиево-йонни батерии от транспортни компании е предмет на законовите разпоредбите за превоз на опасни товари. Подготовката на превоза и самият превоз трябва да се извършват само от обучени лица. Целият процес трябва да е под професионален надзор.

Спазвайте следните изисквания при превоз на батерии:

- Уверете се, че контактите са защитени и изолирани, за да се избегне късо съединение.
- Уверете се, че няма опасност от разместване на батерията в опаковката.
- Не превозвайте повредени батерии или такива с течове.

Обърнете се към Вашата транспортна компания за допълнителни инструкции.

ПОДДРЪЖКА

Да се използват само аксесоари на Milwaukee и резервни части на Milwaukee. Елементи, чията подмяна не е описана, да се дадат за подмяна в сервиз на Milwaukee (вижте брошурата "Гаранция и адреси на сервизи").

При необходимост можете да поискате схема на елементите на уреда при посочване на обозначение на машината и шестцифрения номер на табелката за технически данни от Вашия сервиз или директно на Techtronic Industries GmbH, Max-Eyth-Straße 10, 71364 Winnenden, Германия.

СИМВОЛИ



ВНИМАНИЕ! ПРЕДУПРЕЖДЕНИЕ! ОПАСНОСТ



Преди започване на каквито е да е работи по машината извадете акумулатора.



Преди пускане на уреда в действие моля прочетете внимателно инструкцията за използване.



Електрическите уреди не трябва да се извърлят заедно с битовите отпадъци. Електрическото и електронното оборудване трябва да се събират отделно и да се предават на службите за рециклиране на отпадъците според изискванията за опазване на околната среда. Информирайте се при местните служби или при местните специализирани търговци относно местата за събиране и центровете за рециклиране на отпадъци.



CE-знак

EurAsian знак за съответствие.

DATE TEHNICEMĂȘINA DE GĂURIT/ ÎNȘURUBAT CU ACUMULATOR**M18 CDD**

Număr producție	4523 23 01...
.....	4312 01 01...
.....	000001-999999
Capacitate de găurire în oțel	13 mm
Capacitate de găurire în lemn	45 mm
Șuruburi pt. lemn (fără pregăurire)	9 mm
Viteza de mers în gol , prima treaptă de putere	0-550 min ⁻¹
Viteza de mers în gol, a 2-a treaptă	0-1850 min ⁻¹
Cuplu (1,5 Ah / 2,0 Ah)*1	70 Nm
Cuplu (3,0 Ah / 4,0 Ah)*1	80 Nm
Tensiune acumulator	18 V
Interval de deschidere burghiu	1,5-13 mm
Greutatea conform „EPTA procedure 01/2003” (1,5 Ah / 2,0 Ah)	2,0 kg
Greutatea conform „EPTA procedure 01/2003” (3,0 Ah / 4,0 Ah)	2,3 kg

Informație privind zgomotul/vibrațiile

Valori măsurate determinate conform EN 60 745.

Valoarea reală A a nivelului presiunii sonore a sculei este :

Nivelul presiunii sonore (Nesiguranță K=3dB(A))..... 76 dB (A)

Nivelul sunetului (Nesiguranță K=3dB(A))..... 87 dB (A)

Purtați căști de protecție

Valorile totale de oscilație (suma vectorială pe trei direcții)

determinate conform normei EN 60745.

Valoarea emisiei de oscilații a_nGăurit în metal..... 1,32 m/s²Nesiguranță K=..... 2,28 m/s²Înșurubare..... 1,32 m/s²Nesiguranță K=..... 2,28 m/s²

*1 Masurată conform normei Milwaukee N 877318

AVERTISMENT

Gradul de oscilație indicat în prezentele instrucțiuni a fost măsurat în conformitate cu o procedură de măsurare normată prin norma EN 60745 și poate fi folosit pentru a compara unelte electrice între ele. El se pretează și pentru o evaluare provizorie a solicitării la oscilații.

Gradul de oscilație indicat reprezintă aplicațiile principale ale uneltelor electrice. În cazul în care însă uneltele electrice au fost folosite pentru alte aplicații, ori au fost folosite unelte de muncă diferite ori acestea nu au fost supuse unei suficiente inspecții de întreținere, gradul de oscilație poate fi diferit. Acest fapt poate duce la o creștere netă a solicitărilor la oscilații dealungul întregii perioade de lucru.

În scopul unei evaluări exacte a solicitării la oscilații, urmează să fie luate în considerație și perioadele de timp în care aparatul a fost oprit ori funcționează dar, în realitate, el nu este folosit în mod practic. Acest fapt poate duce la o reducere netă a solicitărilor la oscilații dealungul întregii perioade de lucru.

Stabiliți măsuri de siguranță suplimentare în scopul protecției utilizatorului de efectele oscilațiilor, de exemplu: inspecție de întreținere a uneltelor electrice și a celor de muncă, păstrarea caldă a mâinilor, organizarea proceselor de muncă.

AVERTIZARE! Citiți toate indicațiile de siguranță și toate instrucțiunile. Nerespectarea indicațiilor de avertizare și a instrucțiunilor poate provoca electrocutare, incendii și/sau răni grave.**Păstrați toate indicațiile de avertizare și instrucțiunile în vederea utilizărilor viitoare.****INSTRUCȚIUNI DE SIGURANȚĂ PENTRU MAȘINILE DE GĂURIT****Țineți aparatul de mânerul izolat când executați lucrări la care scula tăietoare poate nimeri peste conductorii electrici ascunși.** Contactul cu un conductor sub tensiune determină punerea sub tensiune a componentelor metalice ale mașinii și duce la electrocutare.**INSTRUCȚIUNI DE SIGURANȚĂ PENTRU MAȘINILE DE ÎNȘURUBAT****Țineți aparatul de mânerul izolat atunci când executați lucrări la care șurubul ar putea atinge cabluri de curent ascunse.** Contactul șurubului cu un conductor prin care circulă curentul electric poate pune sub tensiune componente metalice ale aparatului, provocând electrocutare.**INSTRUCȚIUNI SUPPLEMENTARE DE SIGURANȚĂ ȘI DE LUCRU**

Folosiți echipament de protecție . Purtați întotdeauna ochelari de protecție când lucrați cu mașina . Se recomandă utilizarea hainelor de protecție ca de ex. Măști contra prafului, mănuși de protecție, încălțăminte stabilă nealunecoasă, cască și aparatoare de urechi.

Praful care apare când se lucrează cu această sculă poate fi dăunător sănătății și prin urmare nu trebuie să atingă corpul. Purtați o mască de protecție corespunzătoare împotriva prafului.

Nu se admite prelucrarea unui material care poate pune în pericol sănătatea operatorului (de exemplu azbestul).

La blocarea sculei demontabile vă rugăm să deconectați imediat aparatul! Nu conectați aparatul atâta timp cât scula demontabilă este blocată; dacă o faceți, s-ar putea să se producă un recul cu un cuplu mare de reacție. Găsiți și remediați cauza de blocare a sculei demontabile respectând indicațiile pentru siguranță.

Cauzele posibile pot fi:

- Agățarea în piesa de prelucrat
- Străpungerea materialului de prelucrat
- Suprasolicitarea sculei electrice

Nu atingeți părțile mașinii aflate în rotație.

Scula introdusă poate să devină fierbinte în timpul utilizării.

AVERTISMENT! Pericol de arsură

- la schimbarea sculei
- la depunerea aparatului

Rumegușul și spanul nu trebuie îndepărtate în timpul funcționării mașinii.

Când se lucrează pe pereți, tavan sau dușumea, aveți grijă să evitați cablurile electrice și țevile de gaz sau de apă.

Asigurați piesa de prelucrat cu un dispozitiv de fixare. Piese neasigurate pot provoca accidentări grave și stricăciuni.

Îndepărtați acumulatorul înainte de începerea lucrului pe mașina

Nu aruncați acumulatorii uzați la containerul de reziduri menajere și nu îi ardeți. Milwaukee Distributors se oferă să recupereze acumulatorii vechi pentru protecția mediului înconjurător.

Nu depozitați acumulatorul împreună cu obiecte metalice (risc de scurtcircuit)

Folosiți numai încărcătoare System M18 pentru încărcarea acumulatorilor System M18. Nu folosiți acumulatori din alte sisteme.

Nu deschideți niciodată acumulatorii și încărcătoarele și paștrați-le numai în încăperi uscate. Paștrați-le întotdeauna uscate .

Acidul se poate scurge din acumulatorii deteriorați la încălziri sau temperaturi extreme. În caz de contact cu acidul din acumulator, spălați imediat cu apă și săpun. În caz de contact cu ochii, clătiți cu atenție timp de cel puțin 10 minute și apelați imediat la îngrijire medicală.

CONDIȚII DE UTILIZARE SPECIFICATE

Mașina de găurit / de înșurubat cu acumulator este destinată operațiunilor de gaurire și înșurubare , pentru utilizare independentă , departe de sursele de alimentare .

Nu utilizați acest produs în alt mod decât cel stabilit pentru utilizare normală

DECLARAȚIE DE CONFORMITATE

Declarăm pe propria răspundere că produsul descris la "Date tehnice" este în concordanță cu toate prevederile legale relevante ale Directivei 2011/65/EU (RoHS), 2004/108/CE, 2006/42/CE și cu următoarele norme armonizate:

EN 60745-1:2009 + A11:2010

EN 60745-2-1:2010

EN 60745-2-2:2010

EN 55014-1:2006 + A1:2009 + A2:2011

EN 55014-2:1997 + A1:2001 + A2:2008

EN 50581:2012

Winnenden, 2014-09-22

Alexander Krug
Managing Director

Împuternicit să elaboreze documentația tehnică.

Techtronic Industries GmbH
Max-Eyth-Straße 10
71364 Winnenden
Germany**ACUMULATORI**

Acumulatorii care nu au fost utilizați o perioadă de timp trebuie reincărcăți înainte de utilizare.

Temperatura mai mare de 50°C (122°F) reduce performanța acumulatorului. Evitați expunerea prelungită la căldură sau radiație solară (risc de supraîncălzire)

Contactele încărcătoarelor și acumulatorilor trebuie păstrate curate.

Pentru o durabilitate optimă, acumulatorii trebuie reincărcăți complet după folosire.

Pentru o durată de viață cât mai lungă, acumulatorii ar trebui scoși din încărcător după încărcare.

La depozitarea acumulatorilor mai mult de 30 zile: Acumulatorii se depozitează la ca. 27°C și la loc uscat. Acumulatorii se depozitează la nivelul de încărcare de cca. 30%-50%.

Acumulatorii se încarcă din nou la fiecare 6 luni.

PROTECȚIE SUPRAÎNCĂRCARE ACUMULATOR

În caz de supraîncărcare a acumulatorului prin consum foarte ridicat de curent, de ex. cupluri mecanice extrem de mari, înțepenirea burghiului, întrerupere bruscă sau scurtcircuit, unealta electrică produce timp de 2 secunde un zgomot înfundat, după care se decuplează de la sine.

În vederea recuplării, dați drumul butonului de comutare, iar apoi

efecuați o nouă cuplare.

În condiții de încărcări extreme, acumulatorul se poate încălzi peste măsură. În acest caz, acumulatorul se decuplează. Pentru a-l reincărca și activa, puneți acumulatorul în în aparatul de încărcare.

TRANSPORTUL ACUMULATORILOR CU IONI DE LITIU

Acumulatorii cu ioni de litiu cad sub incidența prescripțiilor legale pentru transportul de mărfuri periculoase.

Transportul acestor acumulatori trebuie să se efectueze cu respectarea prescripțiilor și reglementărilor pe plan local, național și internațional.

- Consumatorilor le este permis transportul rutier nerestricționat al acestui tip de acumulatori.
- Transportul comercial al acumulatorilor cu ioni de litiu prin intermediul firmelor de expediție și transport este supus reglementărilor transportului de mărfuri periculoase. Pregătirile pentru expediție și transportul au voie să fie efectuate numai de către personal instruit corespunzător. Întregul proces trebuie asistat în mod competent.

Următoarele puncte trebuie avute în vedere la transportul acumulatorilor:

- Pentru a se evita scurtcircuite, asigurați-vă de faptul că sunt protejate și izolate contactele.
- Aveți grijă ca pachetul de acumulatori să nu poată aluneca în altă poziție în interiorul ambalajului său.
- Este interzis transportarea unor acumulatori deteriorați sau care pierd lichid.

Pentru indicații suplimentare adresați-vă firmei de expediție și transport cu care colaborați.

INTREȚINERE

Utilizați numai accesorii și piese de schimb Milwaukee. Dacă unele din componente care nu au fost descrise trebuie înlocuite , vă rugăm contactați unul din agenții de service Milwaukee (vezi lista noastră pentru service / garanție)

Dacă este necesar, puteți solicita de la centrul dvs. de service pentru clienți sau direct la Techtronic Industries GmbH, Max-Eyth-Straße 10, 71364 Winnenden, Germania un desen descompus al aparatului prin indicarea tipului de aparat și a numărului cu șase cifre de pe tăblița indicatoare.

SIMBOLURI

PERICOL! AVERTIZARE! ATENȚIE!



Îndepărtați acumulatorul înainte de începerea lucrului pe mașina



Va rugăm citiți cu atenție instrucțiunile înainte de pornirea mașinii



Aruncarea aparatelor electrice la gunoii menajere este interzisă.

Echipamentele electrice și electronice trebuie colectate separat și predate la un centru de reciclare și eliminare a deșeurilor, pentru a fi eliminate ecologic.

Interesați-vă la autoritățile locale sau la comerciantul dvs. de specialitate unde se află centre de reciclare și puncte de colectare.



Marcaj CE

Marcaj de conformitate EurAsian.

ТЕХНИЧКИ ПОДАТОЦИ	ДУПЧАЛКА НА БАТЕРИИ	M18 CDD
Производен број.....	4523 23 01....	4312 01 01....
.....00001-999999
Капацитет на дупчење во челик.....	13 mm	45 mm
Капацитет на дупчење во дрво.....	9 mm	9 mm
Шрафови во дрво (без предходно дупчење).....	0-550 min ⁻¹	0-550 min ⁻¹
Брзина без оптоварување, 1ва брзина.....	0-1850 min ⁻¹	0-1850 min ⁻¹
Брзина без оптоварување, 2ра брзина.....	70 Nm	70 Nm
Спрега торк (1,5 Ah / 2,0 Ah)*1.....	80 Nm	80 Nm
Спрега торк (3,0 Ah / 4,0 Ah)*1.....	18 V	18 V
Волтажа на батеријата.....	1,5-13 mm	1,5-13 mm
Опсег на отворање на буштина.....	2,0 kg	2,0 kg
Тежина според ЕПТА-процедурата 01/2003 (1,5 Ah / 2,0 Ah).....	2,3 kg	2,3 kg
Тежина според ЕПТА-процедурата 01/2003 (3,0 Ah / 4,0 Ah).....		

Информација за бучавата/вибрациите
Измерените вредности се одредени согласно стандардот EN 60745.
Типично очекувано ниво на звучен притисок на алатот е:
Ниво на звучен притисок. (Несигурност K=3dB(A))..... 76 dB (A)
Ниво на јачина на звук. (Несигурност K=3dB(A))..... 87 dB (A)
Носте штитник за уши.

Вкупни вибрациски вредности (векторски збир на трите насоки) пресметани согласно EN 60745.
Вибрациска емисиона вредност a_n
Дупчење во метал..... 1,32 m/s²
Несигурност K =..... 2,28 m/s²
Зашрафување..... 1,32 m/s²
Несигурност K =..... 2,28 m/s²
*1 Мерни во зависност од Milwaukee норма N 877318

ПРЕДУПРЕДУВАЊЕ
Нивото на осцилација наведено во овие инструкции е измерено во согласност со мерните постапки нормирани во EN 60745 и може да биде употребено за меѓусебна споредба на електро-алати. Ова ниво може да се употреби и за привремена проценка на оптоварувањето на осцилацијата.
Наведеното ниво на осцилација ги репрезентира главните намени на електро-алатот. Но, доколку електро-алатот се употребува за други намени, со отстапувачки додатоци или со несоодветно одржување, нивото на осцилација може да отстапи. Тоа може значително да го зголеми оптоварувањето на осцилацијата за време на целиот работен период.
За прецизна проценка на оптоварувањето на осцилацијата предвид треба да бидат земени и времињата, во коишто апаратот е исклучен или работи, но фактички не се употребува. Тоа може значително да го намали оптоварувањето на осцилацијата за време на целиот работен период.
Уврдете дополнителни безбедносни мерки за заштита на операторот од влијанието на осцилациите, како на пример: одржување на електро-алатот и на додатоци кон електро-алатот, одржување топли раце, организација на работните процеси.

ВНИМАНИЕ! Прочитајте ги безбедносните напомени и упатства. Заборавање на почитувањето на безбедносните упатства и инструкции можат да предизвикаат електричен удар, пожар и/или тежки повреди.
Сочувајте ги сите безбедносни упатства и инструкции за во иднина.

БЕЗБЕДНОСНИ НАПОМЕНИ ЗА ПЕРКУСИОНИ БОРМАШИНИ
Држете го електричниот алат за издадените површини при изведување на операции при кои алатот за сечење можат да дојдат во контакт со скриени жици. Контакт со жица под напон исто така ќе направи проводници од металните делови и оној кој ракува со алатот ќе доживее струен удар.


БЕЗБЕДНОСНИ НАПОМЕНИ ЗА ЗАШТРАФУВАЊЕ
При реализација на работи, при кои завртката може да погоди скриени водови на струја, држете го апаратот на изолираните површини за држење. Контактот на наврската со вод под напон може да ги стави металните делови од апаратот под напон и да доведе до електричен удар.

ОСТАНАТИ БЕЗБЕДНОСНИ И РАБОТНИ УПАТСТВА
Употребувајте заштитна опрема. При работа со машината постојано носете заштитни очила. Се препорачува заштитна облека како: маска за заштита од прашина, заштитни ракавици, цврсти чевли што не се лизгаат, кацига и заштита за уши.
Пршината која се создава при користење на овој алат може да биде штетна по здравјето. Не ја вдишувајте. Носете соодветна заштитна маска.

Не ги оставајте искористените батерии во домашниот отпад и не горете ги. Дистрибутерите на Milwaukee ги собираат старите батерии, со што ја штитат нашата околина.
Не ги чувајте батериите заедно со метални предмети (ризик од краток спој).
Користете исклучиво Систем M18 за полнење на батерии од M18 систем. Не користете батерии од друг систем.
Не ги отворајте насилно батериите и полначите, и чувајте ги само на суво место. Чувајте ги постојано суви.
Киселината од оштетените батериите може да истече при екстреман напон или температури. Доколку дојдете во контакт со исатата, измијте се веднаш со сапун и вода. Во случај на контакт со очите плакнете ги убаво најмалку 10 минути и задолжително одете на лекар.

СПЕЦИФИЦИРАНИ УСЛОВИ НА УПОТРЕБА
Дупчалката на батерии/шрафцигерот е дизајниран за дупчење и зашрафување, независна употреба далеку од главното напојување.
Не го користете овој производ на било кој друг начин освен пропишаниот за нормална употреба.

ЕУ-ДЕКЛАРАЦИЈА ЗА СООБРАЗНОСТ
Во своја сопствена одговорност изјавуваме дека под "Технички податоци" опишаниот производ е во склад со сите релевантни прописи од регулативата 2011/65/EU (RoHS), 2004/108/EC, 2006/42/EC и следните хармонизирачки нормативни документи:
EN 60745-1:2009 + A1:2010
EN 60745-2-1:2010
EN 60745-2-2:2010
EN 55014-1:2006 + A1:2009 + A2:2011
EN 55014-2:1997 + A1:2001 + A2:2008
EN 50581:2012

Winnenden, 2014-09-22

Alexander Krug
Managing Director
Ополномоштен за составување на техничката документација.
Techtronic Industries GmbH
Max-Eyth-Straße 10
71364 Winnenden
Germany

БАТЕРИИ
Подолг период неупотребувани комплети батерии да се наполнат пред употреба.
Температура повисока од 50°C (122°F) го намалуваат траењето на батериите. Избегнувајте подолго изложување на батериите на високи температури или сонце (ризик од прегревање).
Клемите на полначот и батериите мора да бидат чисти.
За оптимален работен век, по употреба батериите мора да бидат целосно наполнети.
За можно подолг век на траење, апаратите после нивното полнење треба да бидат извадени од апаратот за полнење на батериите.
Во случај на складирање на батеријата подолго од 30 дена: Акумулаторот да се чува на температура од приближно 27°C и на суво место.
Акумулаторот да се складира на приближно 30%-50% од состојбата на наполнетост.
Акумулаторот повторно да се наполни на секои 6 месеци.







ЗАШТИТА ОД ПРЕОПТЕРЕТУВАЊЕ НА БАТЕРИЈАТА
При преоптоварување на батеријата со многу висока потрошувачка на струја, на пример екстремно високи вртежни моменти, заглавување на дупчалката, ненадејно запирање или краток спој, електро-уредот бучи 2 секунди, а потоа самостојно се гаси.
За повторно вклучување ослободете го прекинувачот и вклучете повторно.
Во случај на екстремни оптоварувања батеријата може да загрее

многу. Во таков случај батеријата исклучува. Тогаш ставете ја батеријата во уредот за полнење за повторно да ја наполните и активирате.

ТРАНСПОРТ НА ЛИТИУМ-ЈОНСКИ БАТЕРИИ
Литиум-јонските батерии подлежат на законските одредби за транспорт на опасни материи.
Транспортот на овие батерии мора да се врши согласно локалните, националните и меѓународните прописи и одредби.
• Потрошувачите на овие батерии може да вршат непречен патен транспорт на истите.
• Комерцијалниот транспорт на литиум-јонски батерии од страна на шпедитерски претпријатија подлежат на одредбите за транспорт на опасни материи. Подготовките за шпедиција и транспорт треба да ги вршат исклучиво соодветно обучени лица.
Целокупниот процес треба да биде стручно надгледуван.
При транспортот на батерии треба да се внимава на следното:

• Осигурајте се дека контактите се заштитени и изолирани, а сето тоа со цел да се избегнат кратки споеви.
• Внимавајте да не дојде до изместување на батериите во нивната амбалажа.
• Забранет е транспорт на оштетени или протечени литиум-јонски батерии.
За понатамошни инструкции обратете се до Вашето шпедитерско претпријатие.

ОДРЖУВАЊЕ
Користете само Milwaukee додатоци и резервни делови. Доколку некои од компонентите кои не се опишани треба да бидат заменети, Ве молиме контактирајте ги сервисните агенти на Milwaukee (консултирајте ја листата на адреси).
При потреба може да се побара експлозионен цртеж на апаратот со наведување на машинскиот тип и шестоцифрениот број на табличката со учиниокот или во Вашата корисничка служба или директно кај Techtronic Industries GmbH, Max-Eyth-Straße 10, 71364 Winnenden, Германија.

СИМБОЛИ
 **ВНИМАНИЕ! ПРЕДУПРЕДУВАЊЕ! ОПАСНОСТ!**
 Извадете го батерискиот склоп пред отпочнување на каков и да е зафат врз машината.
 Ве молиме пред да ја стартувате машината обрнете внимание на упатствата за употреба.
 Електричните апарати не смеат да се фрлат заедно со домашниот отпад. Електричните и електронските апарати треба да се собираат одделно и да се однесат во соодветниот погон заради нивно фрлање во склад со начелата за заштита на околината. Информирајте се кај Вашите местни служби или кај специјализираниот трговски претставник, каде има такви погони за рециклажа и собирни станици.
 CE-знак
 EurAsian (Евроазиски) знак на конформитет.

技术数据	充电式螺丝起子钻	M18 CDD
生产号	4523 23 01...	
.....	4312 01 01...	
.....	..00001-999999	
钻孔直径在钢材	13 mm	
钻孔直径在木材	45 mm	
木材螺丝（不必先钻孔）	9 mm	
第一档的无负载转速	0-550 min ⁻¹	
第二档的无负载转速	0-1850 min ⁻¹	
扭力 (1.5 Ah / 2.0 Ah)*1	70 Nm	
扭力 (3.0 Ah / 4.0 Ah)*1	80 Nm	
蓄电池电压	18 V	
夹头张开范围	1.5-13 mm	
重量符合EPTA – Procedure01 / 2003 (1.5 Ah / 2.0 Ah)	2.0 kg	
重量符合EPTA – Procedure01 / 2003 (3.0 Ah / 4.0 Ah)	2.3 kg	

噪音/振动信息
 本测量值符合 EN 60745 条文的规定。
 本机器的音压值通常为
 音压值 (K=不可靠性=3dB(A)) 76 dB (A)
 音量值 (K=不可靠性=3dB(A)) 87 dB (A)
 请戴上护耳罩！

依欧盟EN 60745 标准确定的振荡总值（三方向矢量和）。
 ah-振荡发射值
 金属钻孔 1,32 m/s²
 K-不可靠性 = 2,28 m/s²
 拧螺丝 1,32 m/s²
 K-不可靠性 = 2,28 m/s²

*1 根据 Milwaukee N 877318 号检验标准所测得

注意

本规程列出的依欧盟EN 60745 标准一项标准测量方法测量的振荡级也可用于电动工具比较并适合于临时振荡负荷估计。
 该振荡级代表电动工具的主要应用。电动工具的其他应用，不正确的工作工具或欠缺维护可造成振荡级偏差。此可明确提高总工作期间的振荡负荷。

正确地估计一定工作期间的振荡负荷也要考虑到工具关闭或接通而不使用的期间。此可明确减少总工作期间的振荡负荷。

为提高操作人员对振荡作用的保护得规定补充安全措施：电动工具及工作工具的维护，温手，工作过程组织等。

⚠ 警告！ 务必阅读所有安全提示和指示。如未确实 遵循警告提示和指示，可能导致电击、火灾并且/ 或其他的严重伤害。
 妥善保存所有的警告提示和指示，以便日后查阅。

⚠ 关于钻机的安全指示

切割工具会碰到隐藏电线或自己的电缆时，得将器械握住于其绝缘把手表面。
 锯片接触了带电的电线，会把电导向其它金属部位，並引起电击。

⚠ 关于起子机的安全指示

螺丝可能接触隐藏的电线时，得将机器握住于其绝缘把手表面。螺丝接触带电电线，会将电导向其他金属部位并引起电击。

其它安全和工作指示

使用防护装备。操作机器时务必佩戴护目镜。最好也使用下列的防护装备，例如防尘面具、护手套、坚固而且止滑的工作鞋、安全头盔和耳罩等。
 工作尘往往有害健康，不可以让工作尘接触身体。工作时请佩戴合适的防尘面具。

严禁加工会导致健康危险的物料（石棉等）。

施工工具被卡住时，请及时关闭机器！为避免高反作用力矩，施工工具被卡住时不要重新接通机器。应按照安全提示查找并排除施工工具卡住的原因。

- 有下列可能原因：
- 工具斜卡在要加工工件中
- 要加工材料的破裂

- 电动工具超载

手指不要接近运行中的机器。
 进行工作时，被操作施工工具会发热。
警告! 烧伤危险
 • 更换工具时
 • 放下机器时

如果机器仍在运转，切勿清除其上的木屑或金属碎片。

在墙壁、天花板或地板工作时，必须特别注意被埋的电线、瓦斯管和水管。

应通过夹紧装置锁定工件。未锁定工件会导致重伤和损坏。

在机器上进行任何修护工作之前，先拿出蓄电池。

损坏的蓄电池不可以丢入火中或一般的家庭垃圾中。Milwaukee 提供了符合环保要求的回收项目： 请向您的专业经销商索取有关详情。

蓄电池不可以和金属物体存放在一起（可能产生短路）。

M18 系列的蓄电池只能和 M18 系列的充电器配合使用。不可以使用本充电器为其它系列的电池充电。

不可拆开蓄电池和充电器。蓄电池和充电器必须储藏在干燥的空间，勿让湿气渗入。

在过度超荷或极端的温度下，可能从损坏的蓄电池中流出液体。如果触摸了此液体，必须马上使用肥皂和大量清水冲洗。如果此类液体侵入眼睛，马上用清水彻底清洗眼睛（至少冲洗 10 分钟），接着即刻就医治疗。

正确地使用机器

可以使用本电动螺丝起子钻进行钻孔和松、紧螺丝作业，并且不需连接电源。

请依照本说明书的指示使用此机器。

欧洲安全规定说明

在我方的全权责任下我方在此声明，“技术数据”下所描述的产品符合于2011/65/EU (RoHS)、2004/108/EC、2006/42/EC等欧共体准则的所有有关规定和下列标准和标准化文件：

EN 60745-1:2009 + A11:2010
 EN 60745-2-1:2010
 EN 60745-2-2:2010
 EN 55014-1:2006 + A1:2009 + A2:2011
 EN 55014-2:1997 + A1:2001 + A2:2008
 EN 50581:2012

Winnenden, 2014-09-22



Alexander Krug
 Managing Director

授权编纂技术资料。

Technicon Industries GmbH
 Max-Eyth-Straße 10
 71364 Winnenden
 Germany



蓄电池

放电后，可达到最大的电容量。长期储放的蓄电池，必须先充电再使用。

如果周围环境的温度超过摄氏 50 度，蓄电池的功能会减弱。勿让蓄电池长期暴露在阳光或暖气下。

充电器和蓄电池的接触点都必须保持干净。

为延长使用寿命，请在使用后给电池充满电。

为确保最长使用寿命，充电后应把蓄电池从充电器取出。

蓄电池储存时间长于30日：
 在环境温度27°C左右干燥处储存蓄电池。
 在百分之30至50充电状态储存蓄电池。
 每6月重新充电。

蓄电池超载保护

极端高扭矩，钻头被卡住，突然停止或短路等情况下特别高电流消耗所造成蓄电池超载时，电动工具发出哼声两秒并自动断开。为继续工作，放开开关按钮并再接通。
 极端超载时，蓄电池过热。这种情况下，蓄电池自动断开。此时，将蓄电池插入充电器，再充电并激活蓄电池。

锂离子蓄电池的运输

锂离子蓄电池属于危险货品并受制于危险货品运输条例。

此蓄电池的运输必须遵守地方、国家和国际法律规定。

- 用户在公路上运输此蓄电池不必遵守特殊规定。
- 锂离子蓄电池的商业性运输受制于危险货品运输条例的规定。运输准备和运输必须由受过合适培训人员进行。全部过程必须由合格专业人员监督。

运输蓄电池时必须注意到下列事项：

- 为避免短路，必须确保蓄电池接点的防护和绝缘。
- 确保包装中的蓄电池包不会滑动。
- 严禁运输损坏或泄漏蓄电池。

进一步建议请联系运输商。

维修

只能使用 Milwaukee 的配件和 Milwaukee 的零件。缺少检修说明的配件如果损坏了，必须交给 Milwaukee 的顾客服务中心更换（参考手册“保证书 / 顾客服务中心地址”）。

如果需要机器的分解图，可以向您的顾客服务中心或直接向 Technicon Industries GmbH, Max-Eyth-Straße 10, 71364 Winnenden, Germany 联络。案件时必须提供以下资料: 机型和机器铭牌上的六位数字码。

符号



请注意!警告! 危险!



在机器上进行任何修护工作之前，先拿出蓄电池。



使用本机器之前请仔细阅读使用说明书。



电气工具必须与生活垃圾分开处理。
 电气机器和电子机器必须单独分开收集並送到回收站以确保符合环境保护的处理。
 有关回收站和收集站的细节，请与主管当局或您的专业经销商联络。



欧洲共同体标志



欧亚合格性标志。

البيانات الفنية	مقبّ دوّار	M18 CDD
إنتاج عدد	01 23 4523	01 01 4312
قدرة الحفر في معدني	13 mm	13 mm
قدرة الحفر في الخشب اللين	45 mm	45 mm
مسامير الخشب (دون الحفر المسبق)	9 mm	9 mm
معدل الحركة النظامية مع عدم وجود أحمال	0-550 min ⁻¹	0-550 min ⁻¹
معدل الحركة النظامية مع عدم وجود أحمال	0-1850 min ⁻¹	0-1850 min ⁻¹
العزم (1.5 Ah)*1 (2.0 Ah)	70 Nm	70 Nm
العزم (3.0 Ah)*1 (4.0 Ah)	80 Nm	80 Nm
فولطية البطارية	18 V	18 V
نطاق طرف المقاب	13-15 mm	13-15 mm
الوزن وفقاً لنهج EPTA رقم 01/2003 (Ah / 2,0 Ah 1,5)	2,0 kg	2,0 kg
الوزن وفقاً لنهج EPTA رقم 01/2003 (Ah / 4.0 Ah 3.0)	2,3 kg	2,3 kg

معلومات الضوضاء/الذبذبات

القيم التي تم قياسها محددة وفقاً للمعايير الأوروبية EN 60 745

مستويات ضوضاء الجهاز، ترحيحاً بشكل نموذجي كالتالي:

مستوى ضغط الصوت (الارتباب في القياس = 3 ديسيبل (A))

مستوى شدة الصوت (الارتباب في القياس = 3 ديسيبل (A))

ارتد وقياس الأذن!

قيم الذبذبات الإجمالي (مجموع الكميات الموجبة في المحاور الثلاثة) محددة وفقاً للمعايير الأوروبية EN 60745.

قيمة انبعاث الذبذبات (a_v)

ثقب المعادن

الارتباب في القياس

ربط المسامير

الارتباب في القياس

* تم قياسه وفقاً لمعيار Milwaukee N 877318

76 dB (A)

87 dB (A)

1,32 m/s²

2,28 m/s²

1,32 m/s²

2,28 m/s²

لا تتخلص من البطاريات المستعملة مع النفايات المنزلية أو بحرقها. يقدم موزع ميلوكي خدمة استعادة البطاريات القديمة لحماية البيئة.

لا يتم تخزين البطارية مع الأشياء المعدنية (خطر قصر الدائرة)..

استخدم فقط شواحن System M18 لشحن بطاريات System M18. لا تستخدم بطاريات من أنظمة أخرى.

لا تقم أبداً بفتح قفل البطارية والشواحن ولا تخزنهم إلا في غرف جافة. وحافظ عليها جاف طوال الوقت.

قد تسرب حامض البطارية من البطاريات التالفة في ظروف الحمل الزائد بدرجة كبيرة أو في درجات الحرارة الشديدة. في حالة ملامسة حامض البطارية اغسل يدك فوراً بالماء والصابون. في حالة ملامسة السائل للعينين اشطفهما جيداً لمدة 10 دقائق على الأقل واطلب العناية الطبية فوراً.

شروط الاستخدام المحددة

يمكن استخدام المقاب ذو البطارية/مفك المسامير في الحفر وفك المسامير حيث يمكن استخدامه بشكل مستقل دون الحاجة إلى التوصيل بمقياس الطاقة.

لا تستخدم هذا المنتج بأي طريقة أخرى غير مصرح بها للاستخدام العادي.

إعلان المطابقة - الاتحاد الأوروبي

نُفّر بمسؤوليتنا الكاملة عن مطابقة المنتج الموصوف تحت بند "البيانات الفنية" للشروط ذات الصلة بتوجيهات معايير الاتحاد الأوروبي 65/2011/EU (اختبار القيود على استخدام المواد الخطيرة (RoHS) و 108/2004/EC و 42/2006/EC، وتم استخدام المعايير المتوافقة التالية:

EN 60745-1:2009 + A11:2010

EN 60745-2-1:2010

EN 60745-2-2:2010

EN 55014-1:2006 + A1:2009 + A2:2011

EN 55014-2:1997 + A1:2001 + A2:2008

EN 50581:2012

Winnenden, 2014-09-22

Alexander Krug
Managing Director

معتددة للمطابقة مع الملف الفني

Technronic Industries GmbH

Max-Eyth-Straße 10

Winnenden 71364

Germany

البطاريات

يجب إعادة شحن البطارية غير المستخدمة لفترة قبل الاستخدام.

تقلل درجات الحرارة التي تتجاوز 50°سيلزيوس (122°فهرنهايت) من أداء البطارية. تجنب التعرض الزائد للحرارة أو أشعة الشمس (خطر التسخين)..

يجب الحفاظ على محتويات الشواحن و البطاريات نظيفة.

للحصول على فترة استخدام مثالية، يجب شحن البطاريات تماماً، بعد الاستخدام.

للحصول على أطول عمر ممكن للبطارية، انزع البطارية من الشاحن بمجرد شحنها تماماً.

لتخزين البطارية أكثر من 30 يوم:

خزن البطارية بحيث تكون درجة الحرارة أقل من 27° سيلزيوس وبعيداً عن أي رطوبة

خزن البطارية مشحونة بنسبة تتراوح بين 30 50-%

اشحن البطارية كامتداده، وذلك كل ستة أشهر من التخزين.

حماية البطارية

في الوقت التي يكون فيها عزم الدوران عالٍ بشدة، وإعاقة الحركة والتباطؤ والصور في الدائرة الكهربائية الذي ينتج عنه سحب لعدد كبير من التيار الكهربائي، ستتمتد الآلة لمدة 2 ثانية ثم تتوقف عن العمل.

لإعادة الضبط، حرر الزناد.

في الظروف القصوى للعمل، قد ترتفع درجة حرارة البطارية الداخلية بشدة. إذا ما حدث ذلك، ستوقف البطارية عن العمل.

ضع البطارية على الشاحن لتشحن ثم أعد ضبطها.

نقل بطاريات الليثيوم

تربط خلع سلكاً لثقب نينواوق طورشل نويأ مويشيلدا تاييراطب عرض خت فينطولواو قهبل جيل نينواوقلاو م الكحل أل أقفو تاييراطبلا مده لثقب لبحوي قهبلولداو

• يمكن للمستخدم نقل البطاريات برأ دون الخضوع لشروط أخرى.

• يخضع النقل التجاري لبطاريات الليثيوم أيون عن طريق الغير إلى قوانين نقل السلع الخطرة. يتعين أن يقوم أفراد مديون جيداً بالإعداد لعملية النقل والقيام بها بصحة خبراء ملتهم.

متى تُنقل البطاريات:

• عند التأكد من حماية أطراف توصيل البطارية وعزلها تجنباً لحدوث قصر بالدائرة.

• عند التأكد من حماية حزمة البطارية من الحركة داخل صندوق التعبئة.

• يُرجى عدم نقل البطاريات التي بها تشققات أو تسريبات.

يُرجى البحث مع شركة الشحن عن نصيحة أخرى

الصيانة

استخدم فقط ملحقات ميلوكي وكذلك قطع غيار ميلوكي. إذا كانت المكونات التي يجب تغييرها غير مذكورة، يرجى الاتصال بأحد عملاء صيانة ميلوكي (انظر قائمة عناوين الضمان/الصيانة الخاصة بنا).

عند الحاجة يمكن طلب رمز انفجار الجهاز بعد ذكر طراز الآلة والرقم السداسي المذكور على بطاقة طاقة الآلة لدى جهة خدمة العملاء أو مباشرة لدى شركة Technronic Industries GmbH، ألمانيا Winnenden 10, 71364 Max-Eyth-Straße

زومرلا

تنبيه! تحذير! خطراً!

افصل دائماً القابس عن المقيس قبل تنفيذ أي عمل بالجهاز.

يرجى قراءة التعليمات بعناية قبل بدء تشغيل الجهاز.

يحظر التخلص من الأجهزة الكهربائية في القمامة المنزلية. يجب جمع الأجهزة الكهربائية والإلكترونية منفصلة وتسليمها للتخلص منها بشكل لا يضر بالبيئة لدى شركة إعادة استغلال. الرجاء الاستفسار لدى البيئات المحلية أو لدى التجار المتخصصين عن مواقع إعادة الاستغلال ومواقع الجمع.

علامة المطابقة الأوروبية

علامة المطابقة الأوروبية الاسيوية

تحذير!

اقرأ جميع تحذيرات السلامة وجميع التعليمات، بما فيها.

قد يؤدي الفشل في مراعاة التحذيرات والتعليمات إلى التعرض للإصابة بصدمة كهربية أو

الحريق وأو إصابة خطيرة.

احتفظ بجميع التنبيهات والتعليمات للرجوع إليها مستقبلاً.

تحذيرات السلامة عند استخدام المقبّ

يجب الإمساك بالآلة الكهربائية من خلال أسطح القبض المعزولة وذلك عند القيام بعمله ما حيث

قد تلامس أداة التثبيت اسلاك مخفية.

تسبب ملامسة أحد ملحقات آلة القطع بسلك كهربى "موصلة" في جمل الأجزاء المعدنية

المكتشفة بالآلة الكهربائية "موصلة" كهربياً مما يجعل المشغّل عرضة لصدمة كهربائية.

تحذيرات السلامة عند استخدام مفك البرغي:

يجب الإمساك بالآلة الكهربائية من خلال أسطح القبض المعزولة وذلك عند القيام بعمله ما حيث

قد تلامس أداة التثبيت اسلاك مخفية.

إن ملامسة أدوات التثبيت للأسلاك الكهربائية "الموصلة" قد يجعل الأجزاء المعدنية المكتشفة

من الآلة الكهربائية "موصلة للكهرباء" وبالتالي فقد يجعل المشغّل عرضة لصدمة كهربية.

إرشادات أمان وعمل إضافية

استخدم معدة الوقاية. ارتد دائماً نظارة الوقاية عند العمل بالآلة. ينصح باستخدام الملابس الواقية مثل الكمامات الواقية من الغبار، والقفازات، والأحذية القوية غير المنزلقة، وواقيات الأذن.

Copyright 2015
Techtronic Industries GmbH
ax-Eyth-Straße 10
71364 Winnenden
Germany
+49 (0) 7195-12-0



(05.15)

4931 4147 09